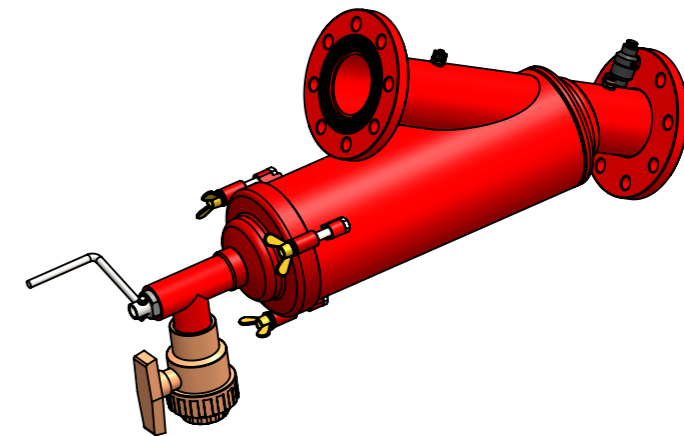
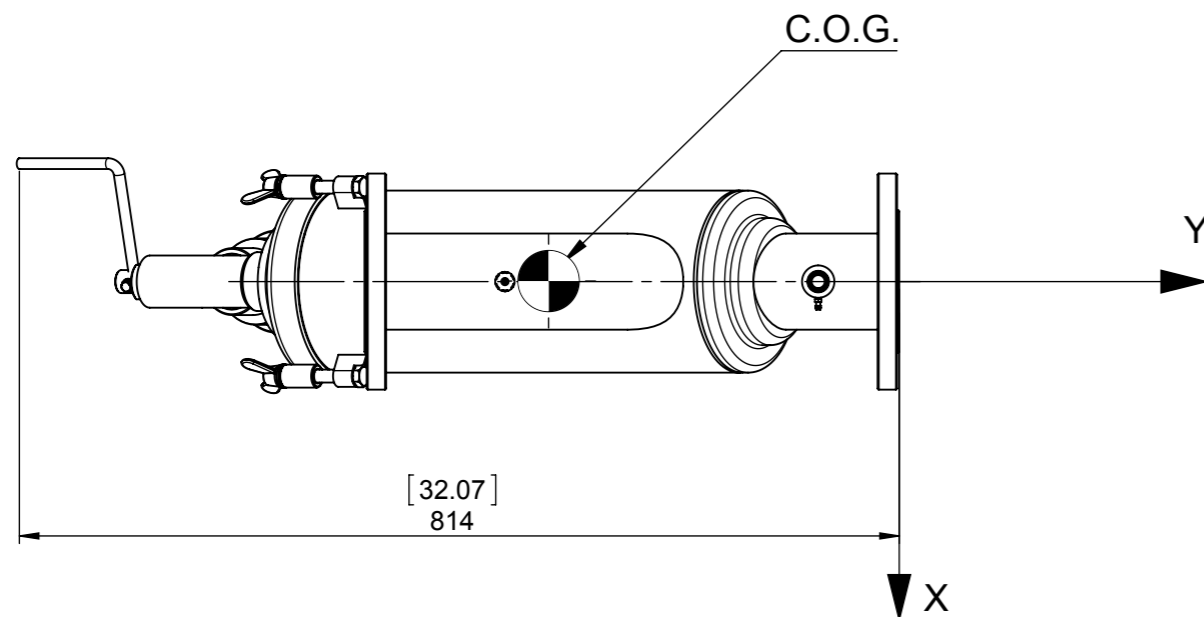


WEIGHT		
POUND	KG	
46	20.8	
VOLUME		
LITER	USG	
25	6.61	
CENTER OF GRAVITY		
AXIS	INCH	MM
X	0.00	0.0
Y	-12.28	-326
Z	-3.78	-96.1



* Approx. space required for maintenance.

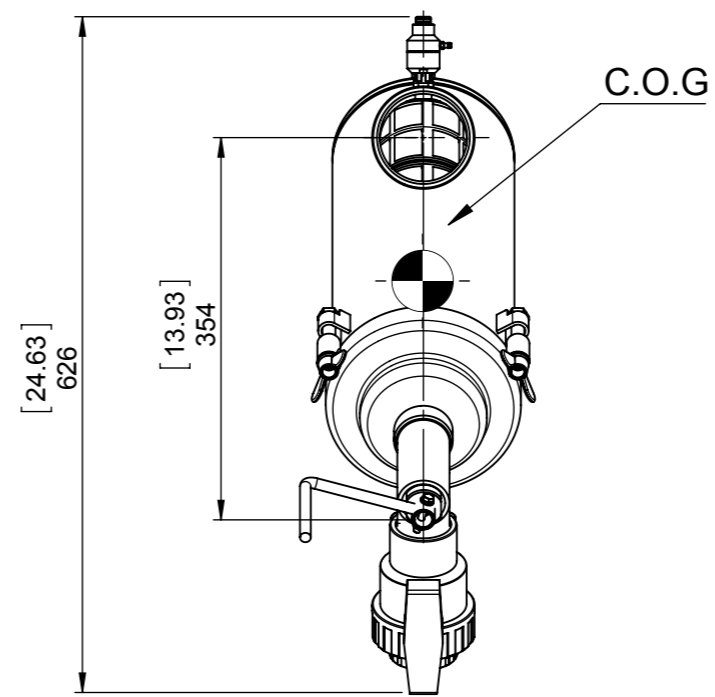
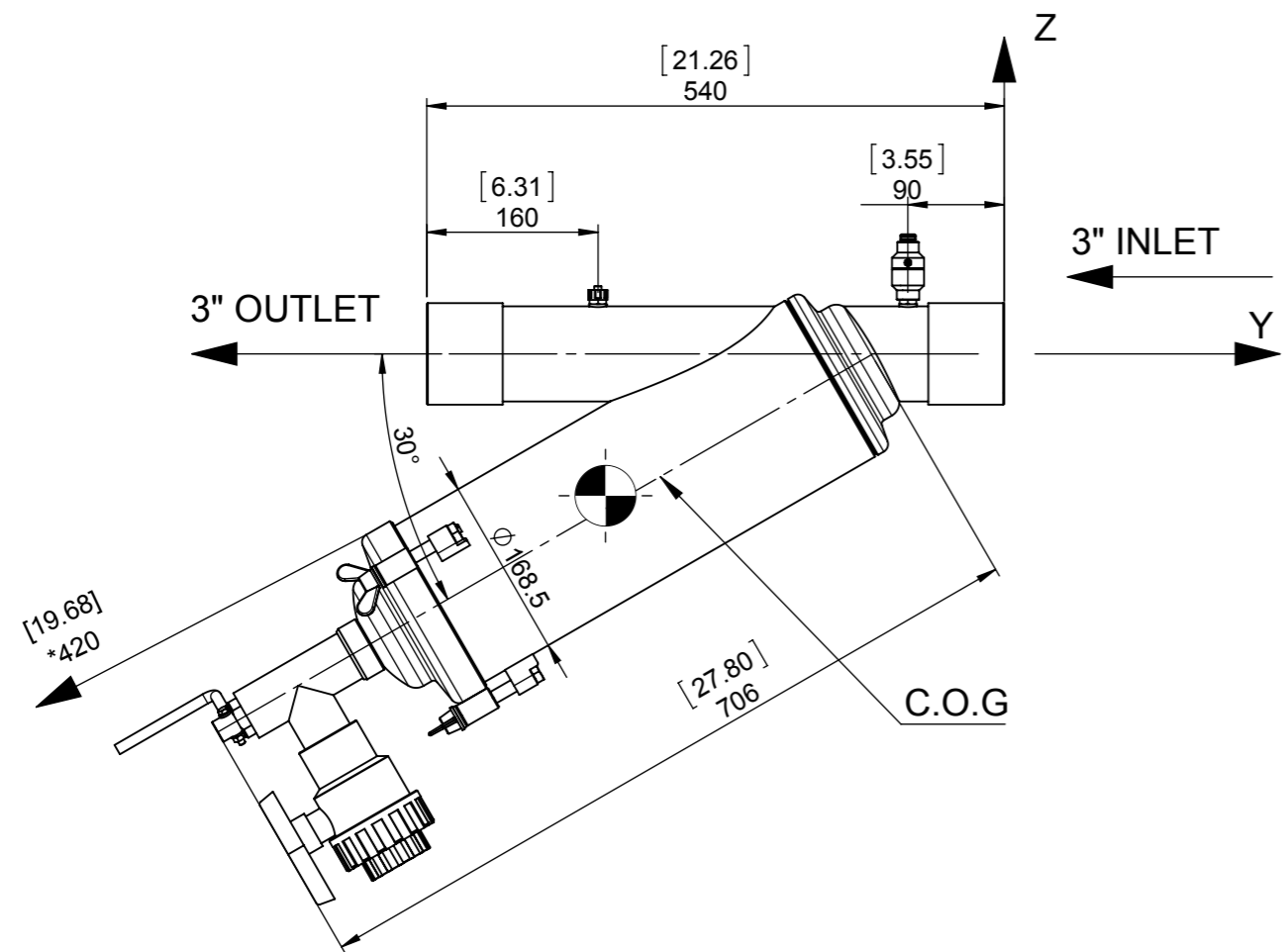
[Click to Order Online Metal Brushaway Filters](#)

NAME	DATE	SUBJECT/PROJECT:	MATERIAL:
DRAWN Arkady	17.02.2016	3" Brushaway Filter	Various
CHECKED			
APPROVED Itay.Z	17.02.2016	PART NAME/TITLE:	CAT. NO:
		3" Brushaway Filter IN/LINE	DRW. NO: QP-0651
			Rev. 0
			SCALE: 1:8 SIZE: A3 SHEET 1 OF 1

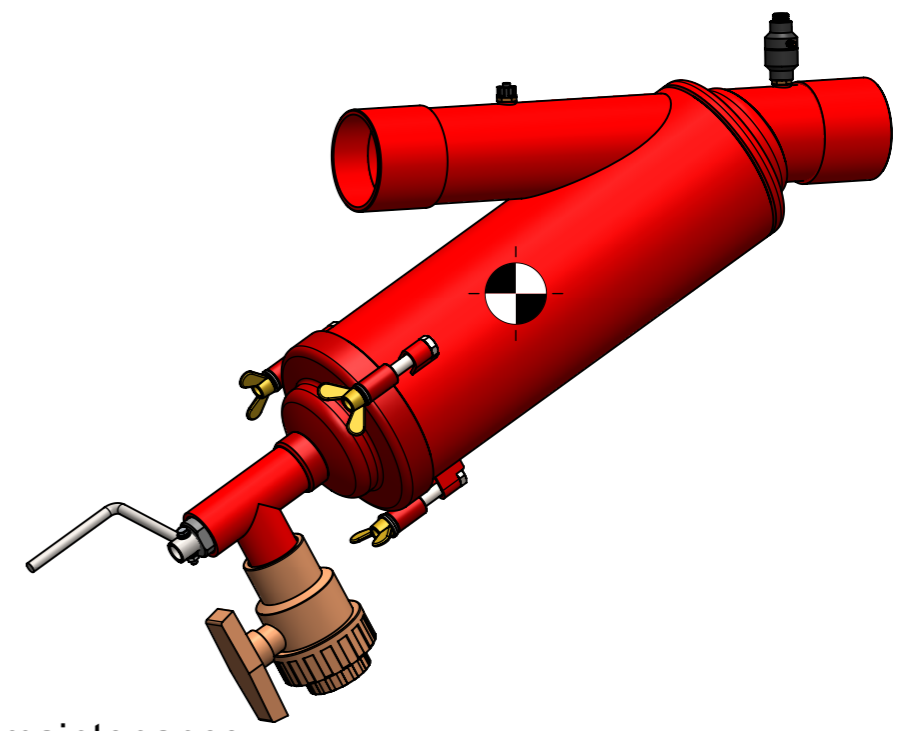
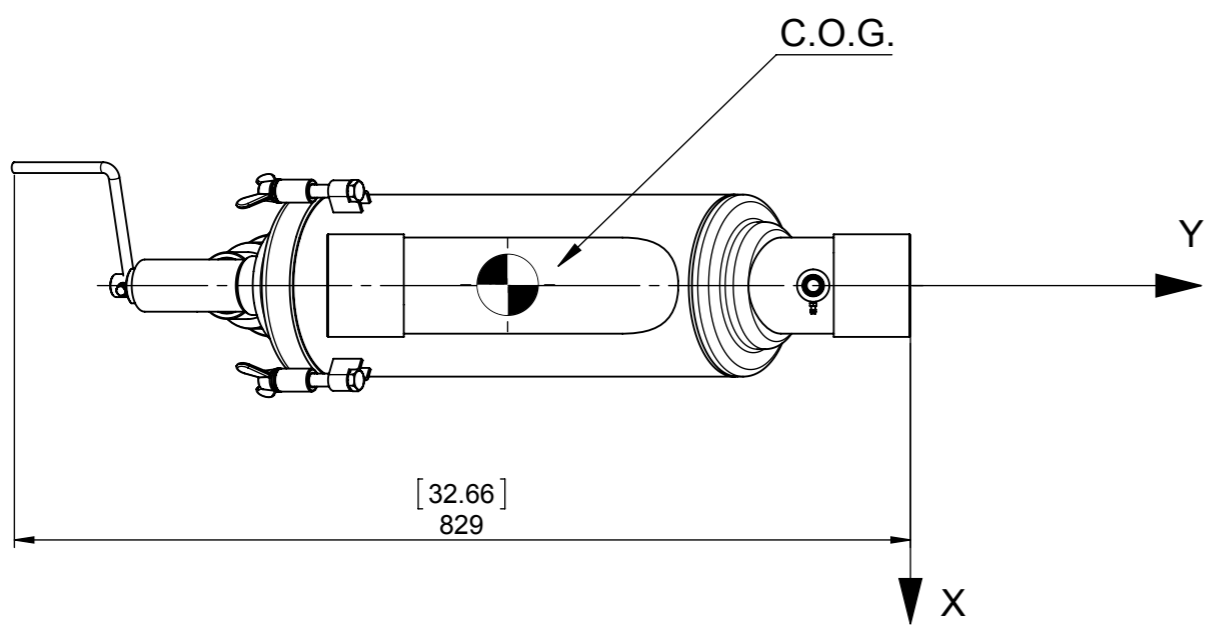
Confidential property information.
Amiad Water Systems Ltd.
reserves the rights to make changes.
All copy rights reserved to
Amiad Water Systems Ltd.






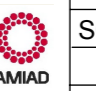
REV.	DATE	DESCRIPTION	NAME
1			

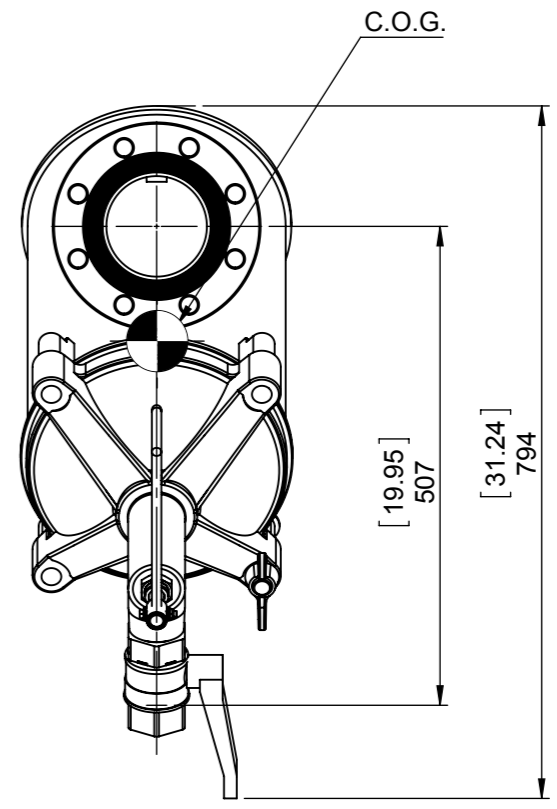
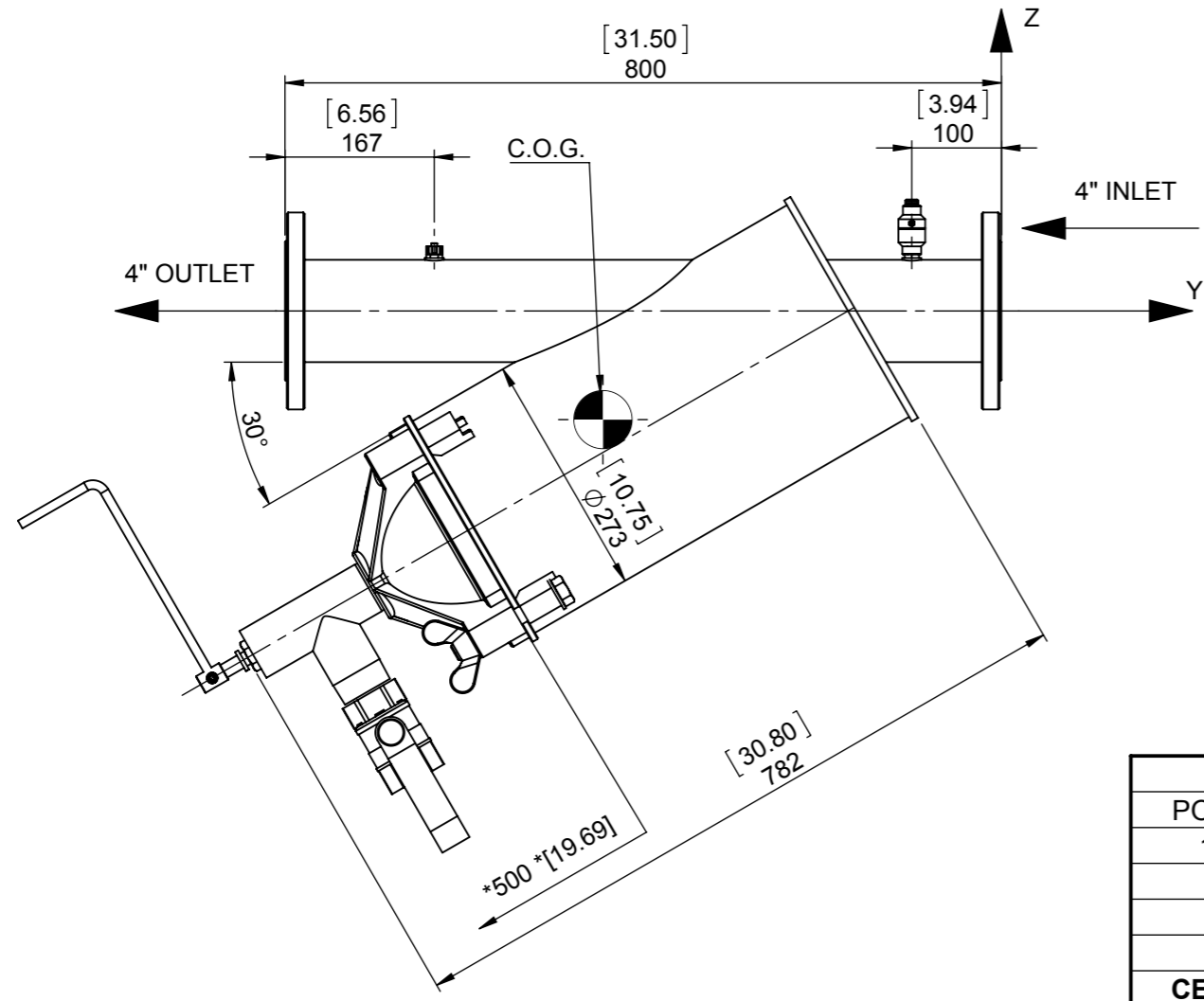


WEIGHT		
POUND	KG	
33	15	
VOLUME		
LITER	USG	
25	6.61	
CENTER OF GRAVITY		
AXIS	INCH	MM
X	0.00	0.0
Y	-12.28	-373
Z	-5.24	-133

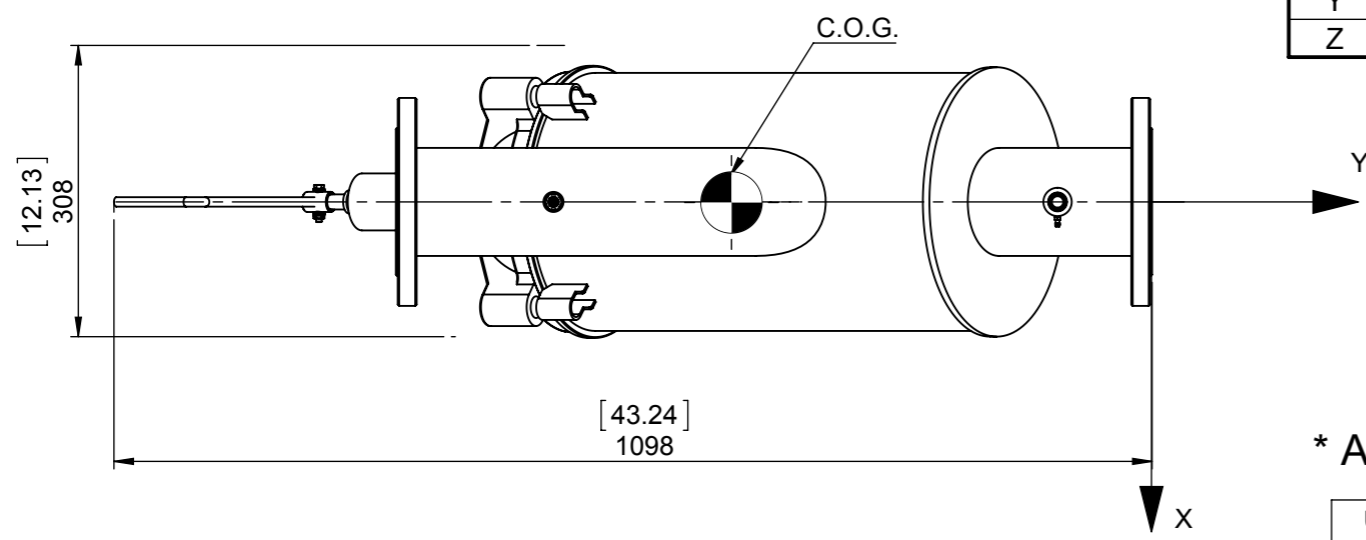
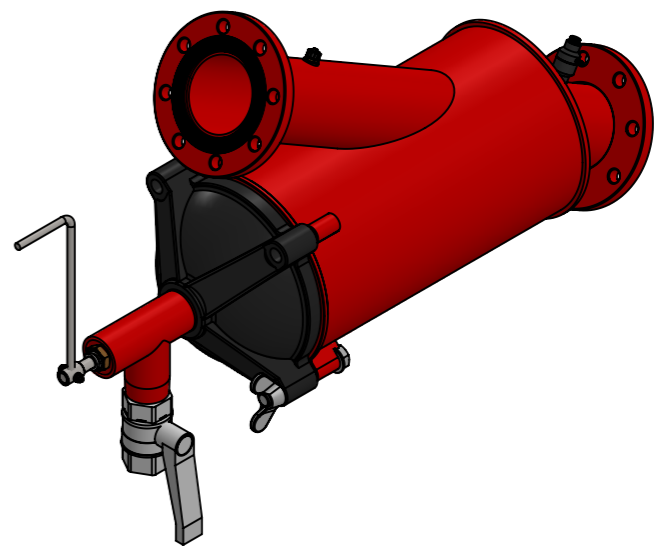


* Approx. space required for maintenance.

NAME	DATE	SUBJECT/PROJECT:	MATERIAL:
Arkady	26.07.2016	3" Brushaway Filter	Various
CHECKED		PART NAME/TITLE:	CAT. NO:
Itay.Z		3" Brushaway Filter IN/LINE	
Confidential property information. Amiad Water Systems Ltd. reserves the rights to make changes. All copy rights reserved to Amiad Water Systems Ltd.		   	DRW. NO: QP-0650
REV.	DATE	DESCRIPTION	NAME
1			
SCALE: 1:8			SIZE: A3
SHEET 1 OF 1			Rev. 0

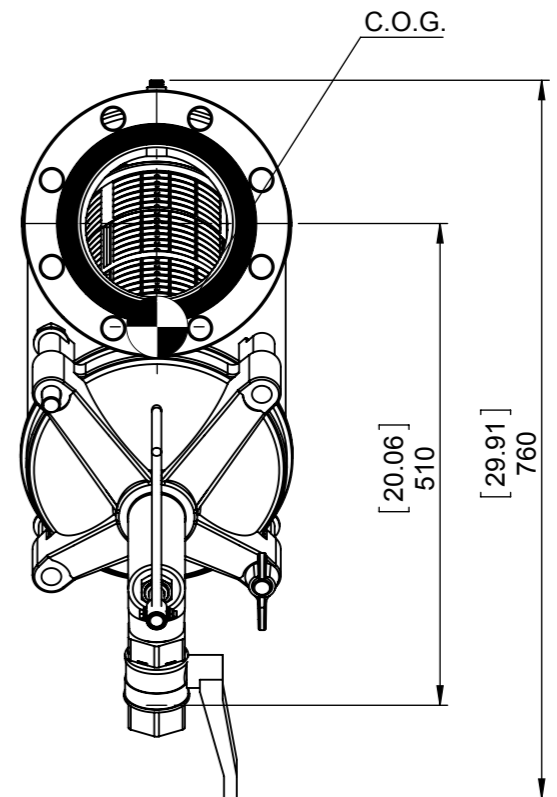
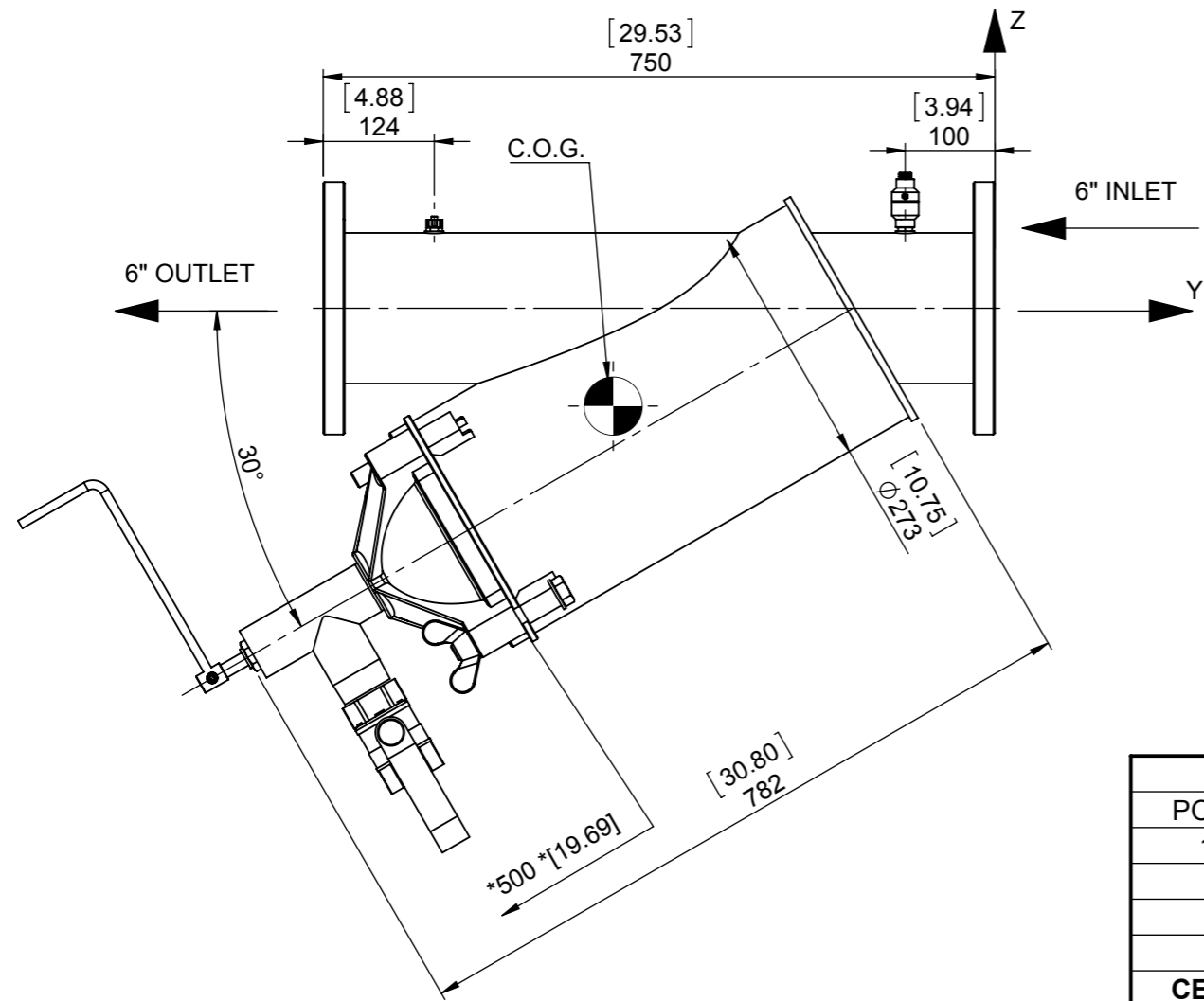


WEIGHT		
POUND	KG	
108	49	
CENTER OF GRAVITY		
AXIS	INCH	MM
X	0.00	0.0
Y	-12.28	-440.4
Z	-4.80	-121.8

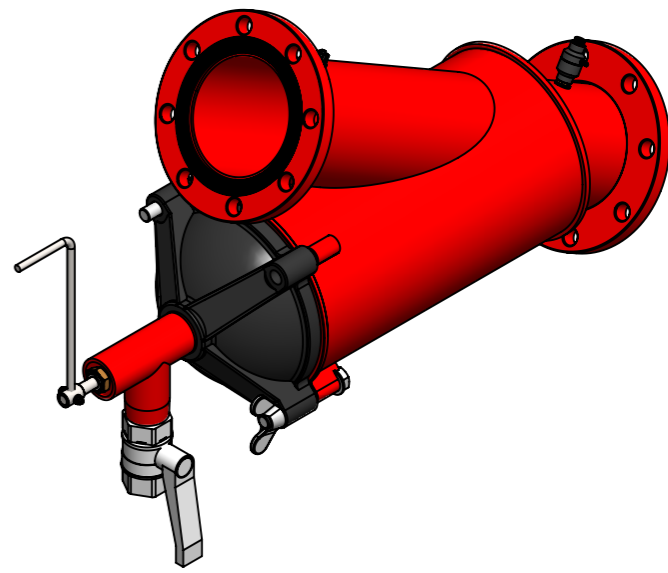
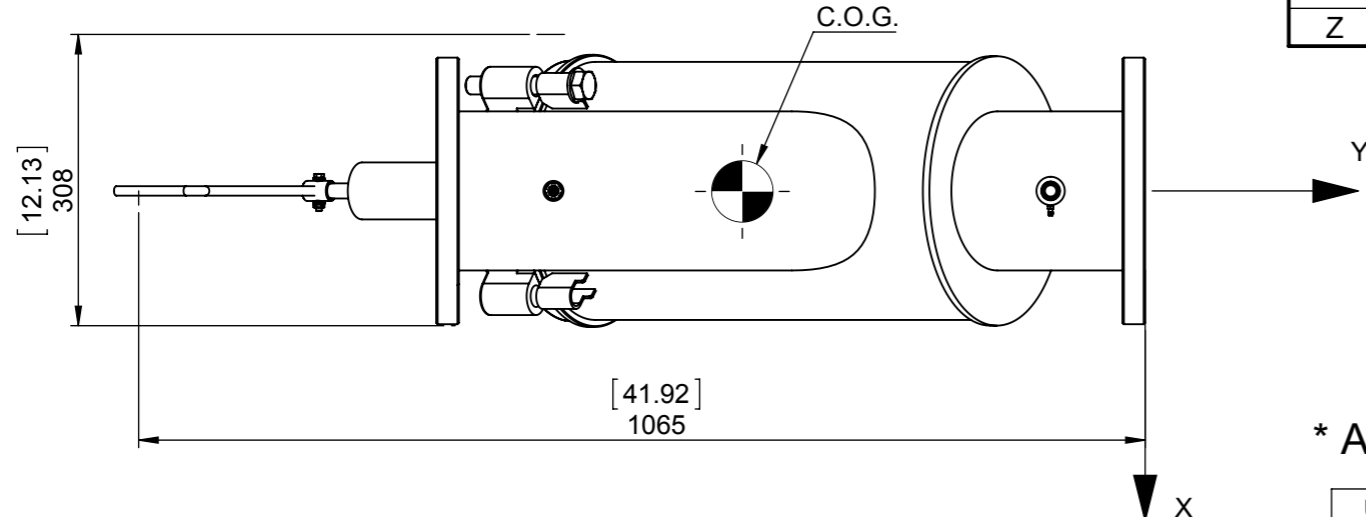


* Approx. space required for maintenance.

UNLESS OTHERWISE SPECIFIED: DIMENSIONS ARE IN MILLIMETERS			PART NAME/TITLE: 4"S Brushaway Filter IN/LINE		
	NAME	DATE	SUBJECT/PROJECT: 4"S Brushaway Filter		
DRAWN	Arkadi	8.08.2016	MATERIAL: Various		
APPROVED	ItayZ.	8.08.2016			
Confidential property information. Amiad Water Systems Ltd. Reserves the rights to make changes. All copy rights reserved to Amiad Water Systems Ltd.			WEIGHT: 44 KG		CAT. NO:
					DRW. REV.: 0
			DRW. NO: QP-0654		
			SCALE: 1:20		SIZE: A3
					SHEET 1 OF 1



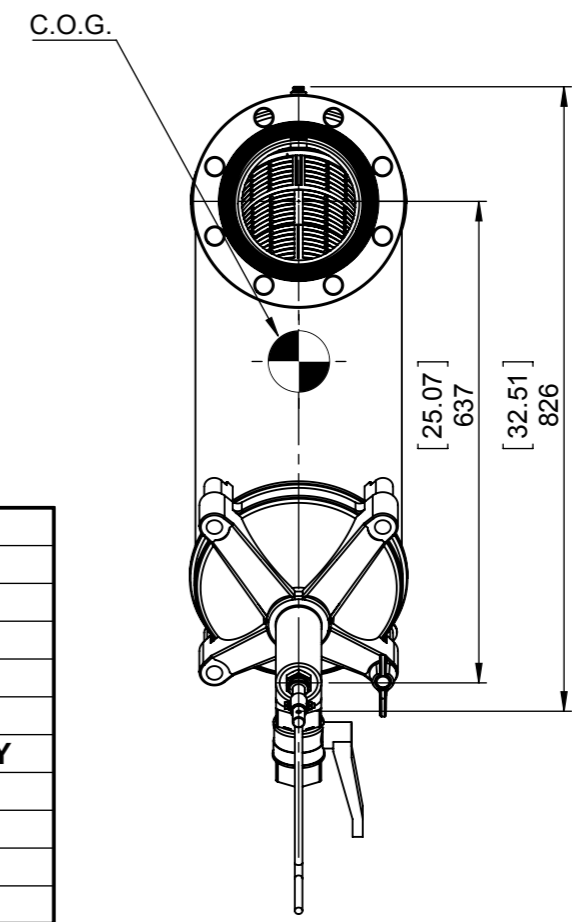
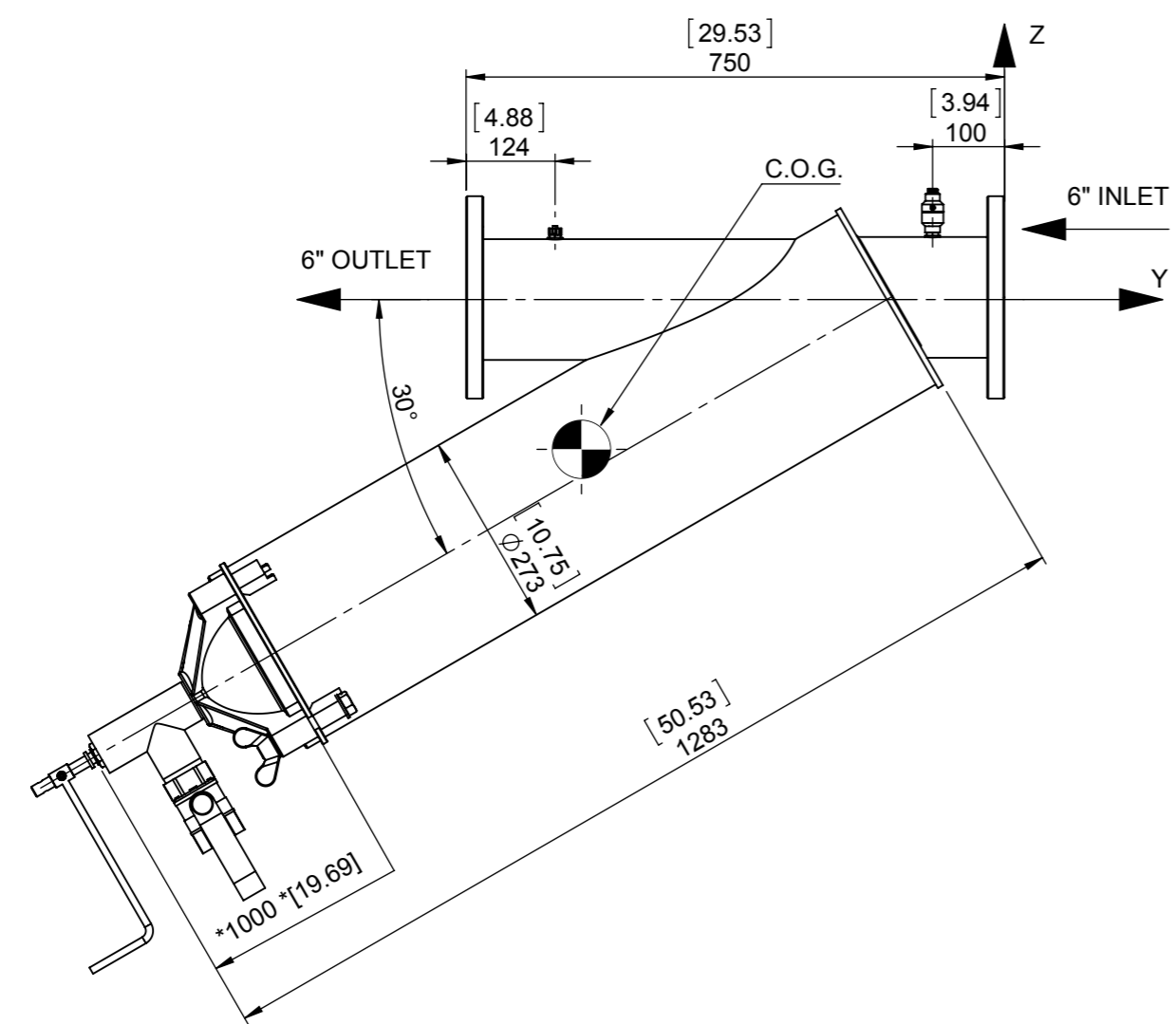
WEIGHT		
POUND	KG	
119	54	
CENTER OF GRAVITY		
AXIS	INCH	MM
X	0.00	0.0
Y	-12.28	-425.3
Z	-4.21	-107



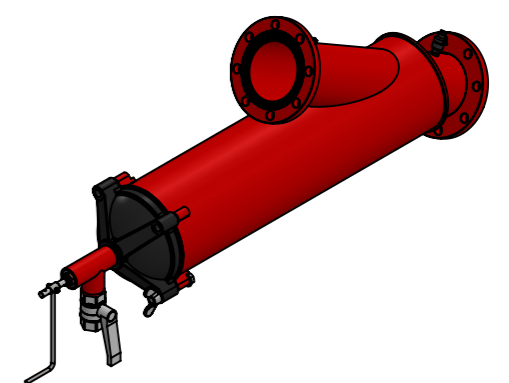
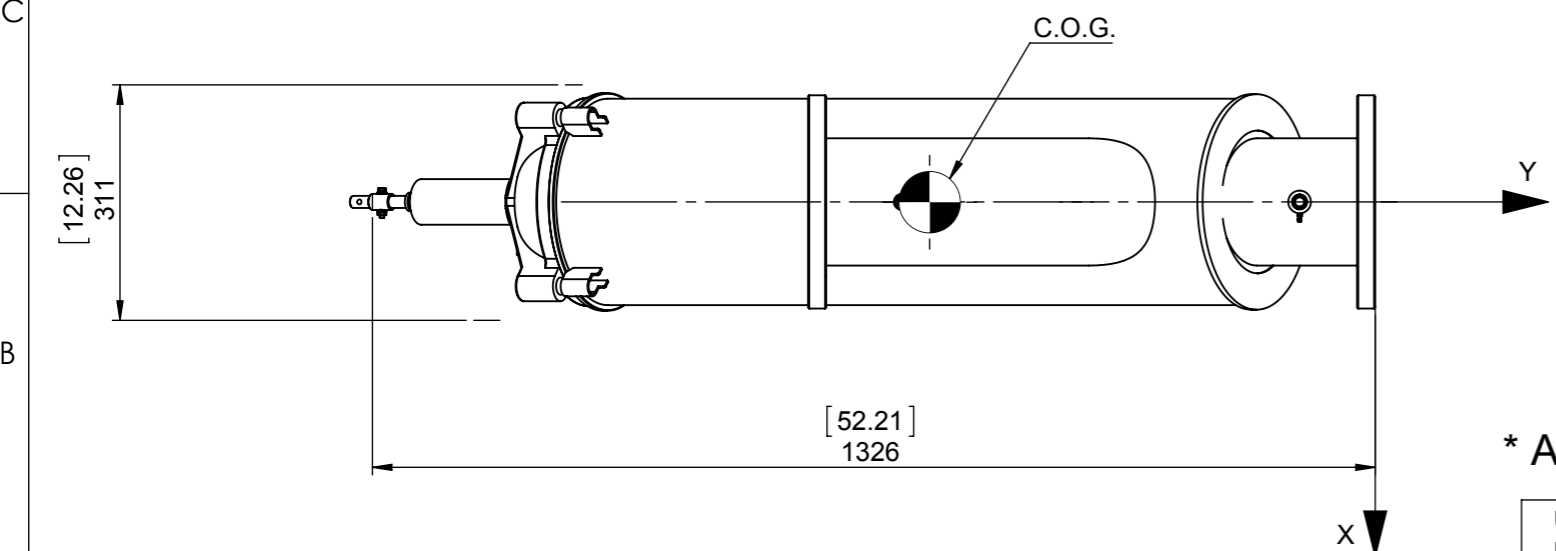
* Approx. space required for maintenance.

UNLESS OTHERWISE SPECIFIED: DIMENSIONS ARE IN MILLIMETERS			PART NAME/TITLE: 6" C Brushaway Filter IN/LINE		
	NAME	DATE	SUBJECT/PROJECT: 6 C" Brushaway Filter		
DRAWN	Arkadi	9.08.2016	MATERIAL: Various		CAT. NO:
APPROVED	Itay	9.08.2016	WEIGHT: 49 KG		DRW. REV.: 0
Confidential property information. Amiad Water Systems Ltd. Reserves the rights to make changes. All copy rights reserved to Amiad Water Systems Ltd.			DRW. NO: QP-0657		SHEET 1 OF 1
			SCALE: 1:20		

REV.	DATE	DESCRIPTION	ECO NO.	NAME
------	------	-------------	---------	------



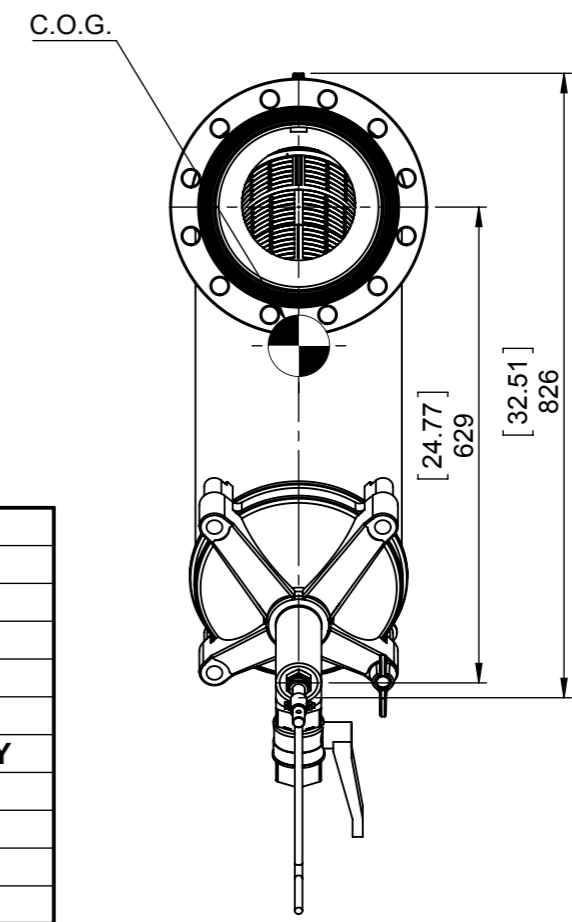
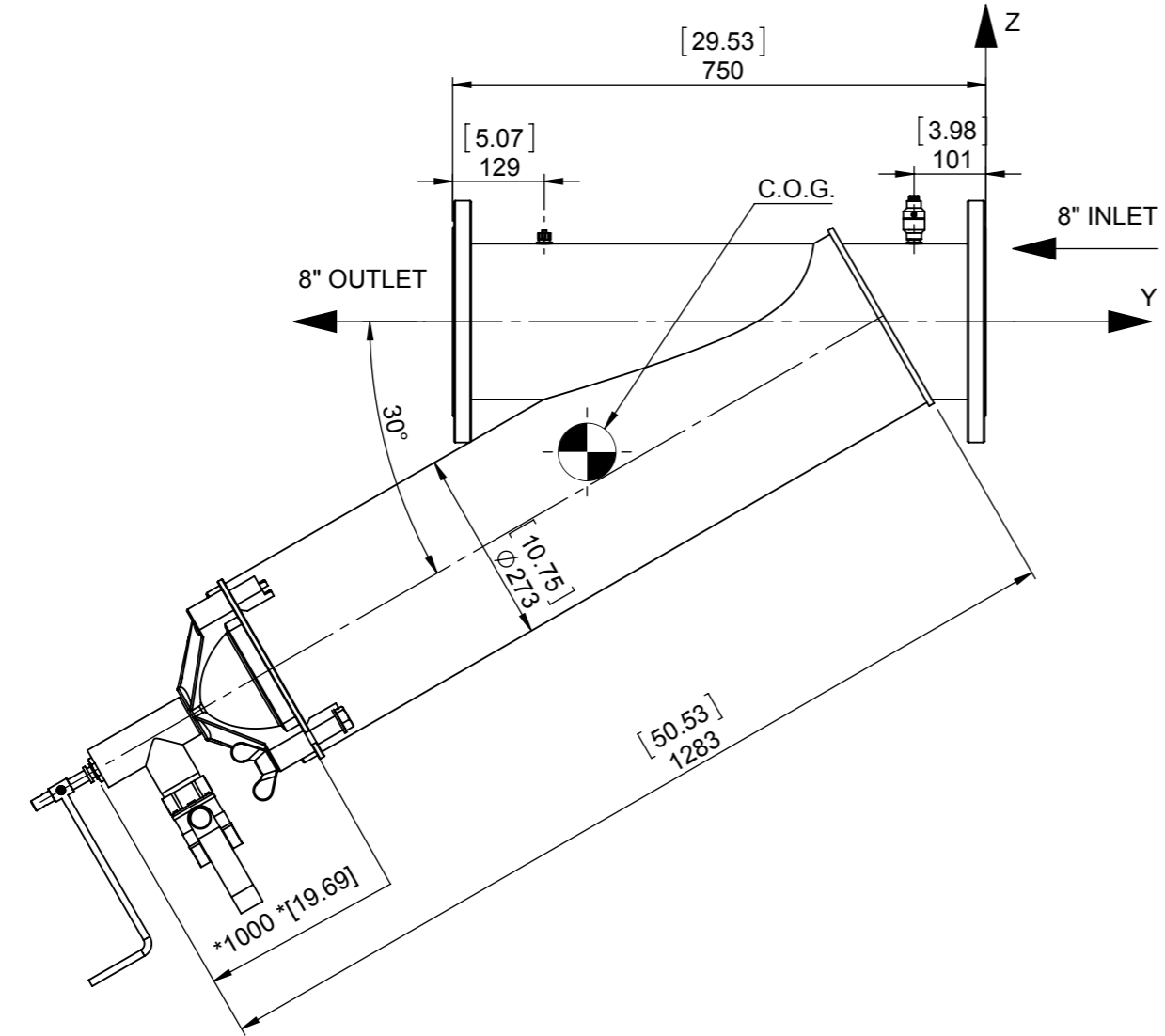
WEIGHT		
POUND	KG	
152	69	
CENTER OF GRAVITY		
AXIS	INCH	MM
X	0.00	0.0
Y	-12.28	-587.2
Z	-8.28	-210.3



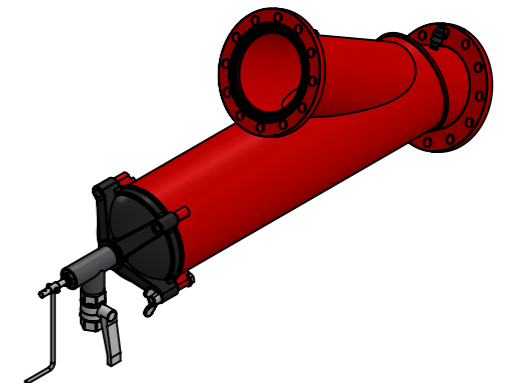
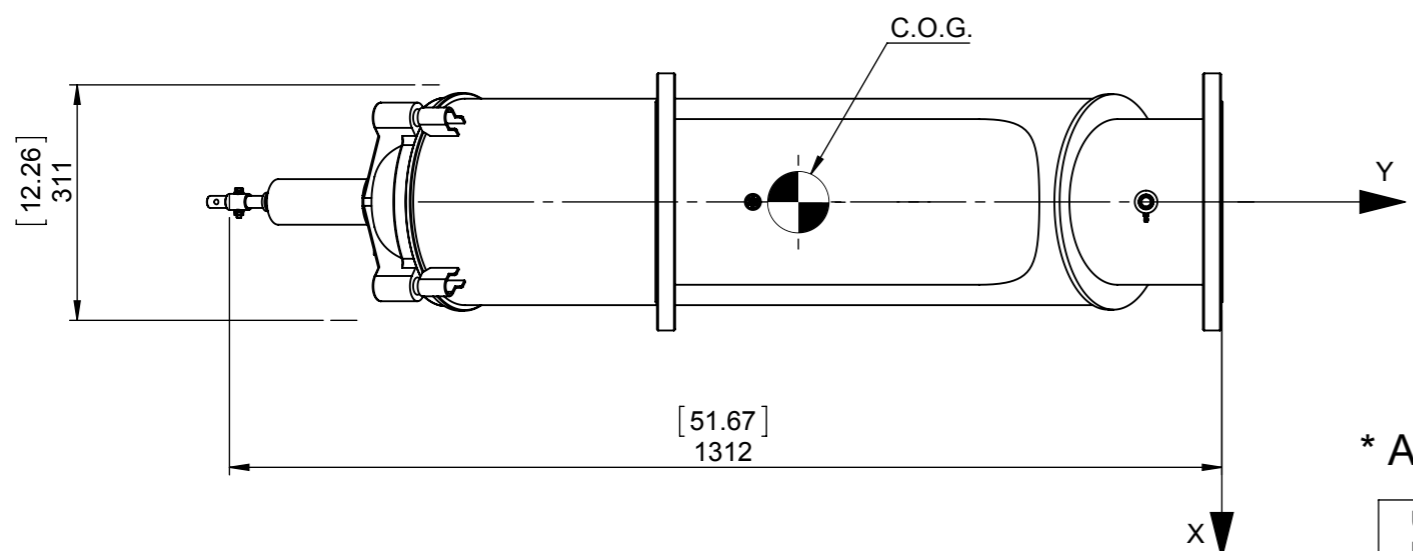
* Approx. space required for maintenance.

UNLESS OTHERWISE SPECIFIED: DIMENSIONS ARE IN MILLIMETERS			PART NAME/TITLE: 6"S Brushaway Filter IN/LINE		
DRAWN Arkadi 9.08.2016			SUBJECT/PROJECT: 6"S Brushaway Filter		
APPROVED Itay 9.08.2016			MATERIAL: Various		CAT. NO:
Confidential property information. Amiad Water Systems Ltd. Reserves the rights to make changes. All copy rights reserved to Amiad Water Systems Ltd.			WEIGHT: 63 KG		DRW. REV.: 0
					DRW. NO: QP-0659
			SCALE: 1:20	SIZE: A3	SHEET 1 OF 1

REV.	DATE	DESCRIPTION	ECO NO.	NAME
------	------	-------------	---------	------

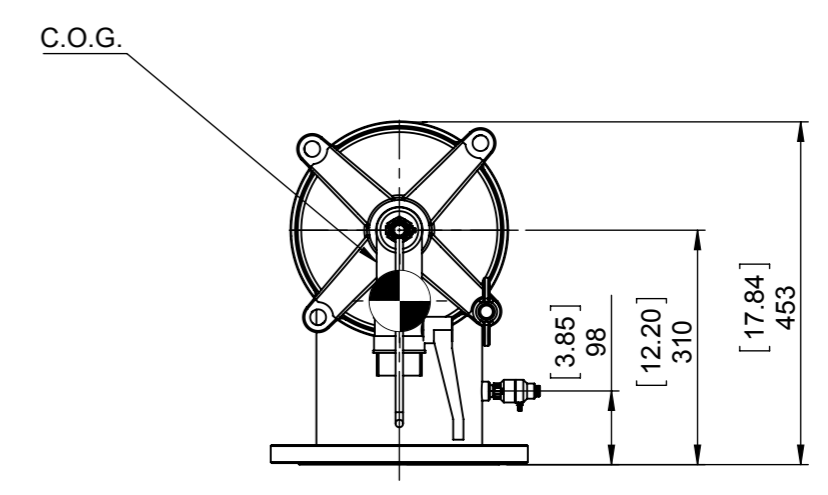
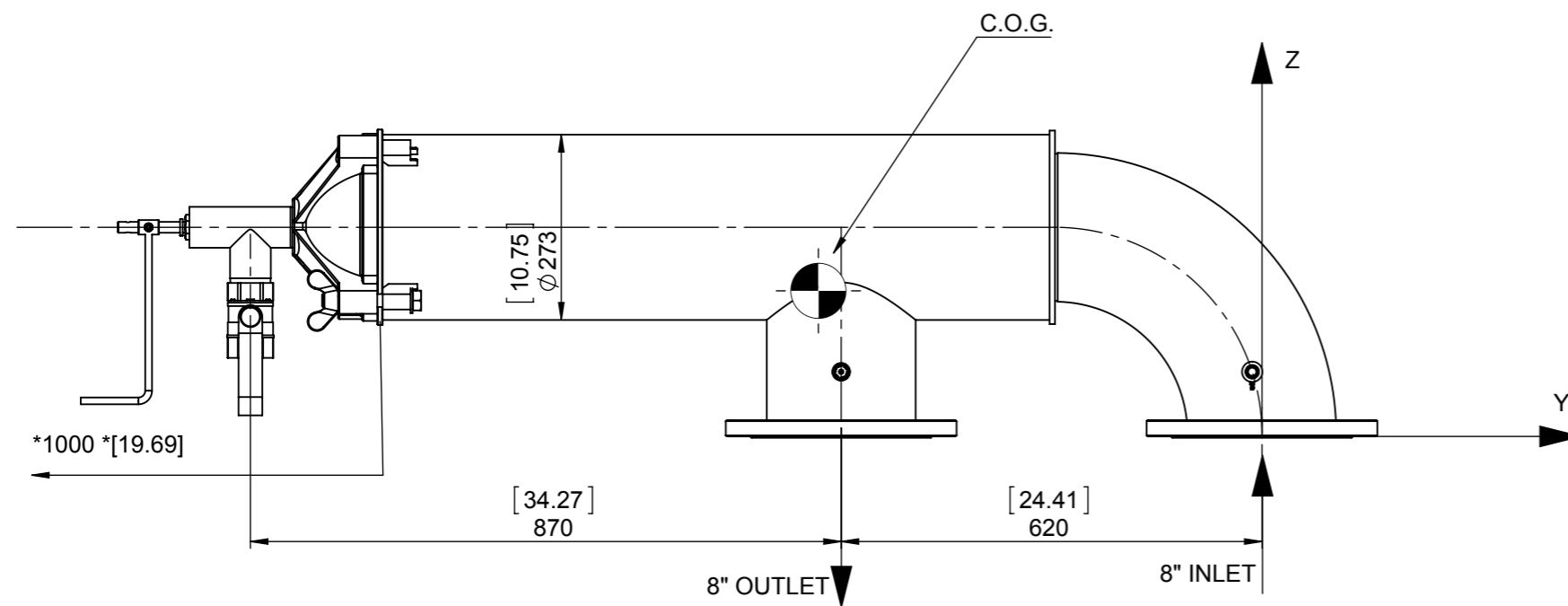


WEIGHT		
POUND	KG	
154	70	
CENTER OF GRAVITY		
AXIS	INCH	MM
X	0.00	0.0
Y	-12.28	-558.6
Z	-7.32	-186

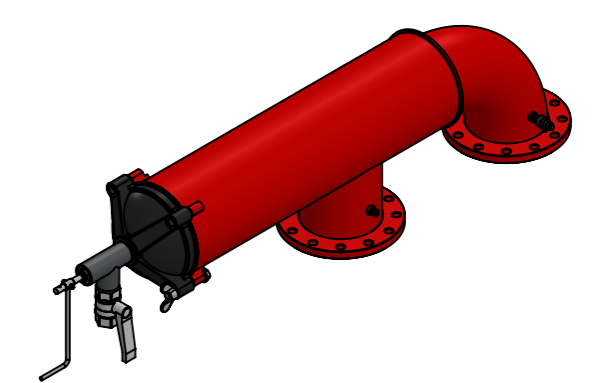
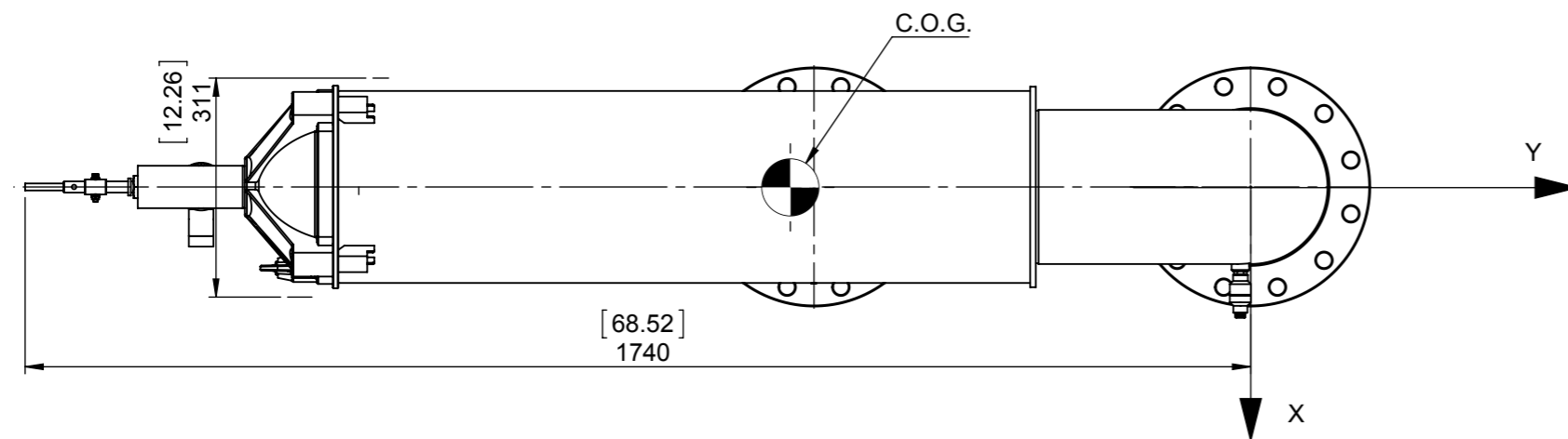


* Approx. space required for maintenance.

UNLESS OTHERWISE SPECIFIED: DIMENSIONS ARE IN MILLIMETERS			PART NAME/TITLE: 8" Brushaway Filter IN/LINE		
DRAWN Arkadi 9.08.2016			SUBJECT/PROJECT: 8" Steel Brushaway Filter		
APPROVED Itay 9.08.2016			MATERIAL: Various		CAT. NO:
Confidential property information. Amiad Water Systems Ltd. Reserves the rights to make changes. All copy rights reserved to Amiad Water Systems Ltd.			WEIGHT: 70 KG		DRW. REV.: 0
					DRW. NO: QP-0662
			SCALE: 1:20	SIZE: A3	SHEET 1 OF 1



WEIGHT		
POUND	KG	
167	76	
CENTER OF GRAVITY		
AXIS	INCH	MM
X	0.00	0.0
Y	-12.28	664.2
Z	8.41	213.5



* Approx. space required for maintenance.

UNLESS OTHERWISE SPECIFIED: DIMENSIONS ARE IN MILLIMETERS			PART NAME/TITLE: 8" Modular Brushaway Filter ON/LINE								
<table border="1" style="width:100%; border-collapse: collapse;"> <thead> <tr> <th>NAME</th> <th>DATE</th> </tr> </thead> <tbody> <tr> <td>DRAWN Arkadi</td> <td>11.11.2016</td> </tr> <tr> <td>APPROVED Itay</td> <td>8.11.2016</td> </tr> </tbody> </table>			NAME	DATE	DRAWN Arkadi	11.11.2016	APPROVED Itay	8.11.2016	SUBJECT/PROJECT: 8" Modular Brushaway Filter		
NAME	DATE										
DRAWN Arkadi	11.11.2016										
APPROVED Itay	8.11.2016										
MATERIAL: Various			CAT. NO:	DRW. REV.: 0							
Confidential property information. Amiad Water Systems Ltd. Reserves the rights to make changes. All copy rights reserved to Amiad Water Systems Ltd.			DRW. NO: QP-0663								
			WEIGHT: 70 KG 								
			SCALE: 1:20	SIZE: A3	SHEET 1 OF 1						

Click to Shop Metal Brushaway Filters