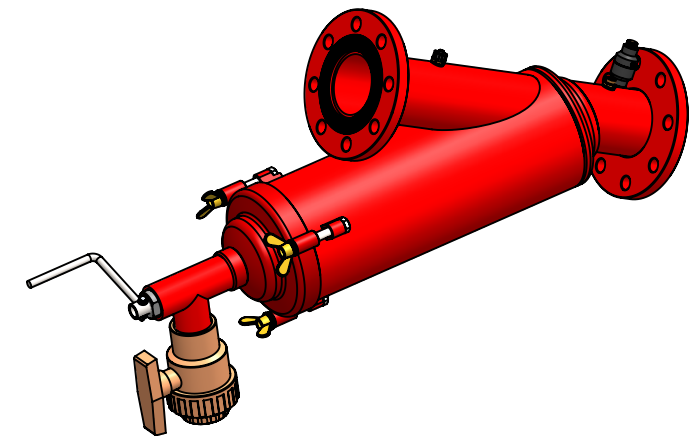
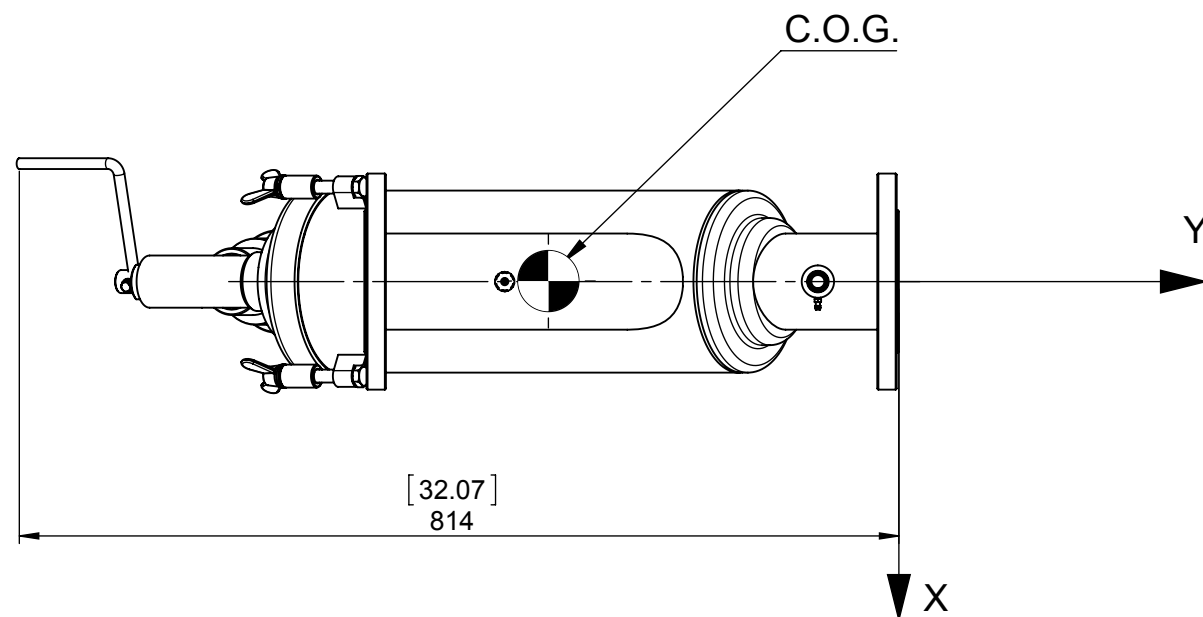


WEIGHT		
POUND	KG	
46	20.8	
VOLUME		
LITER	USG	
25	6.61	
CENTER OF GRAVITY		
AXIS	INCH	MM
X	0.00	0.0
Y	-12.28	-326
Z	-3.78	-96.1



* Approx. space required for maintenance.

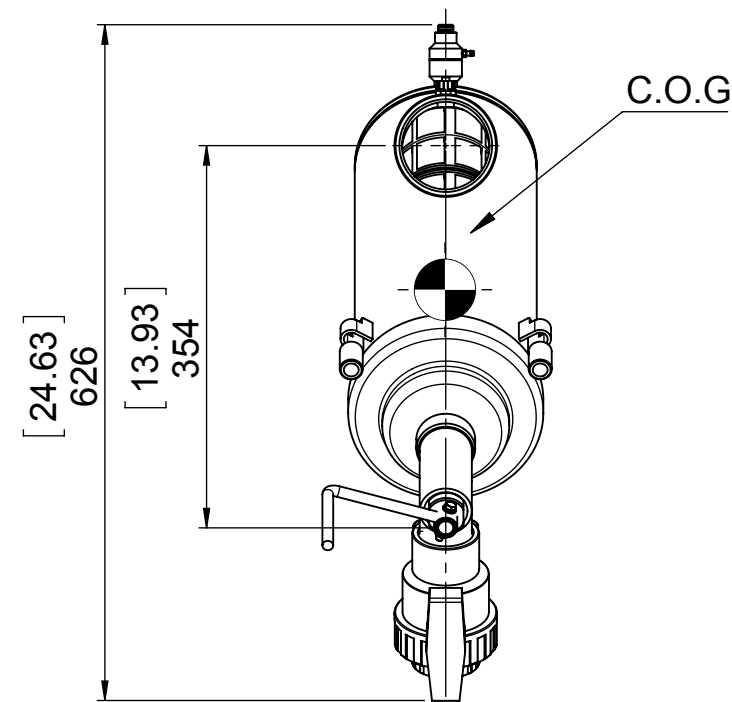
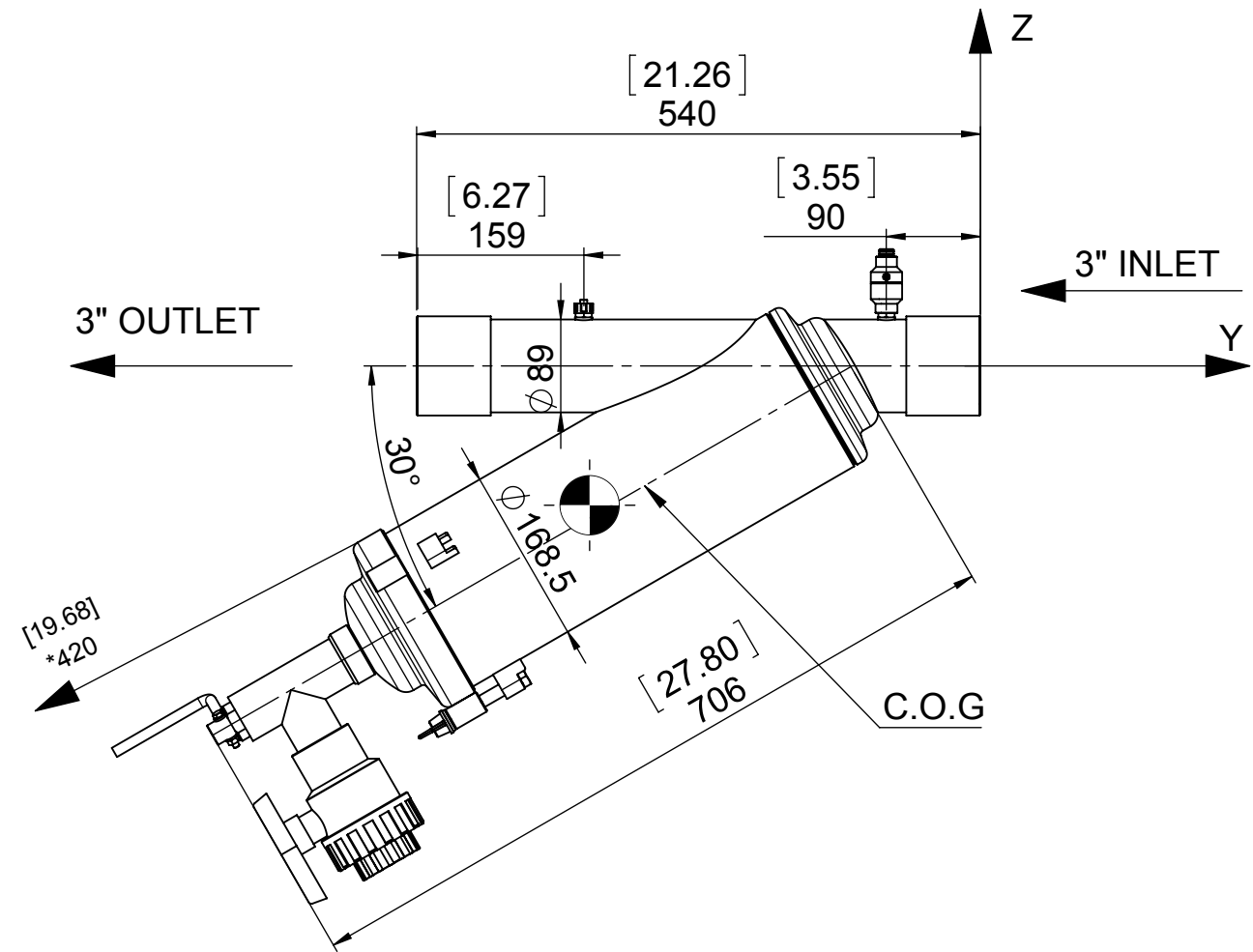
[Click to Order Online Metal Scanaway Filters](#)

NAME	DATE	SUBJECT/PROJECT:	MATERIAL:
DRAWN Arkady	17.02.2016	3" Brushaway Filter	Various
CHECKED			
APPROVED Itay.Z	17.02.2016	PART NAME/TITLE:	CAT. NO:
		3" Brushaway Filter IN/LINE	DRW. NO: QP-0651
			Rev. 0
			SCALE: 1:8 SIZE: A3 SHEET 1 OF 1

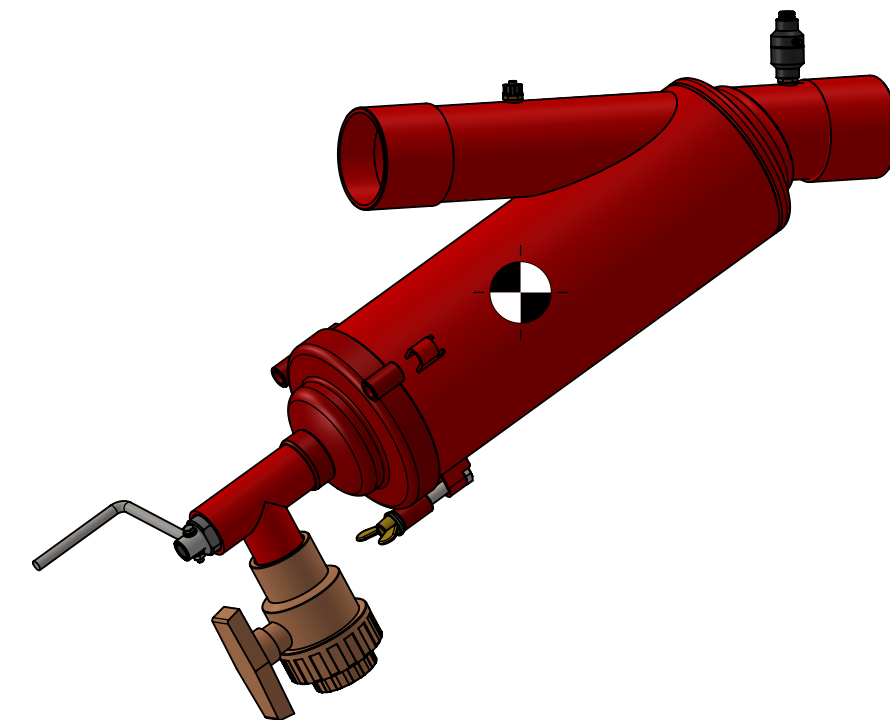
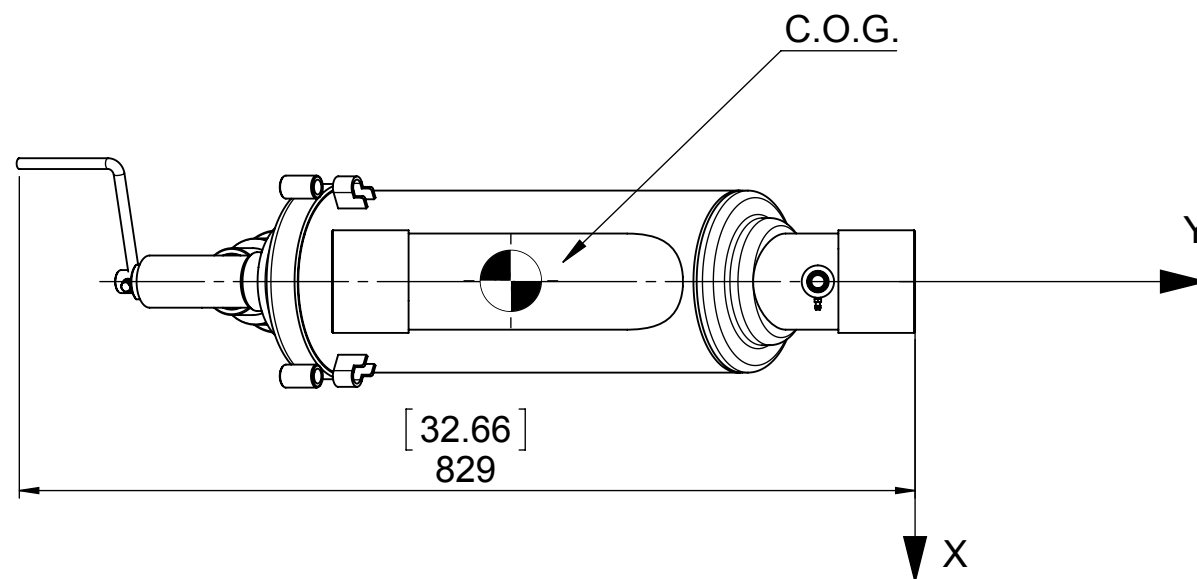
Confidential property information.
Amiad Water Systems Ltd.
reserves the rights to make changes.
All copy rights reserved to
Amiad Water Systems Ltd.



REV.	DATE	DESCRIPTION	NAME
1			

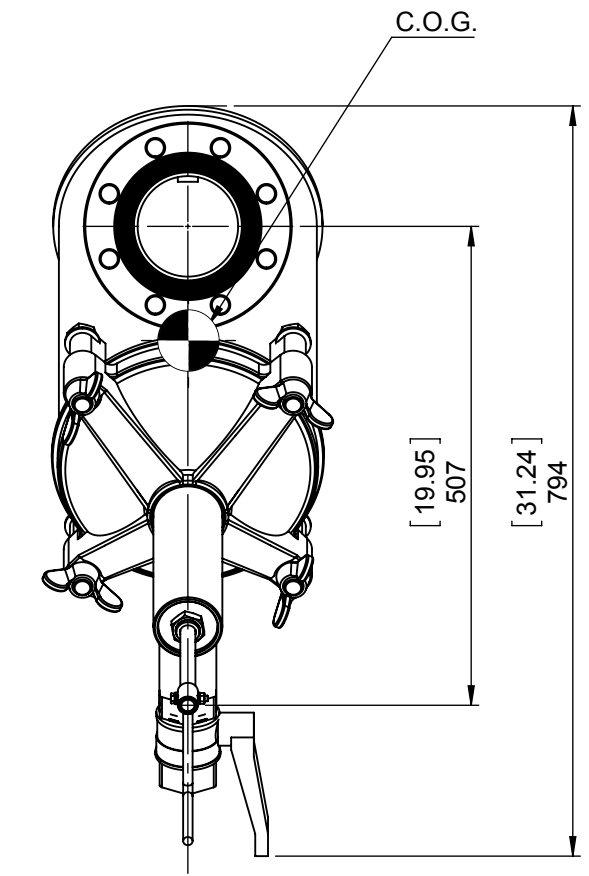
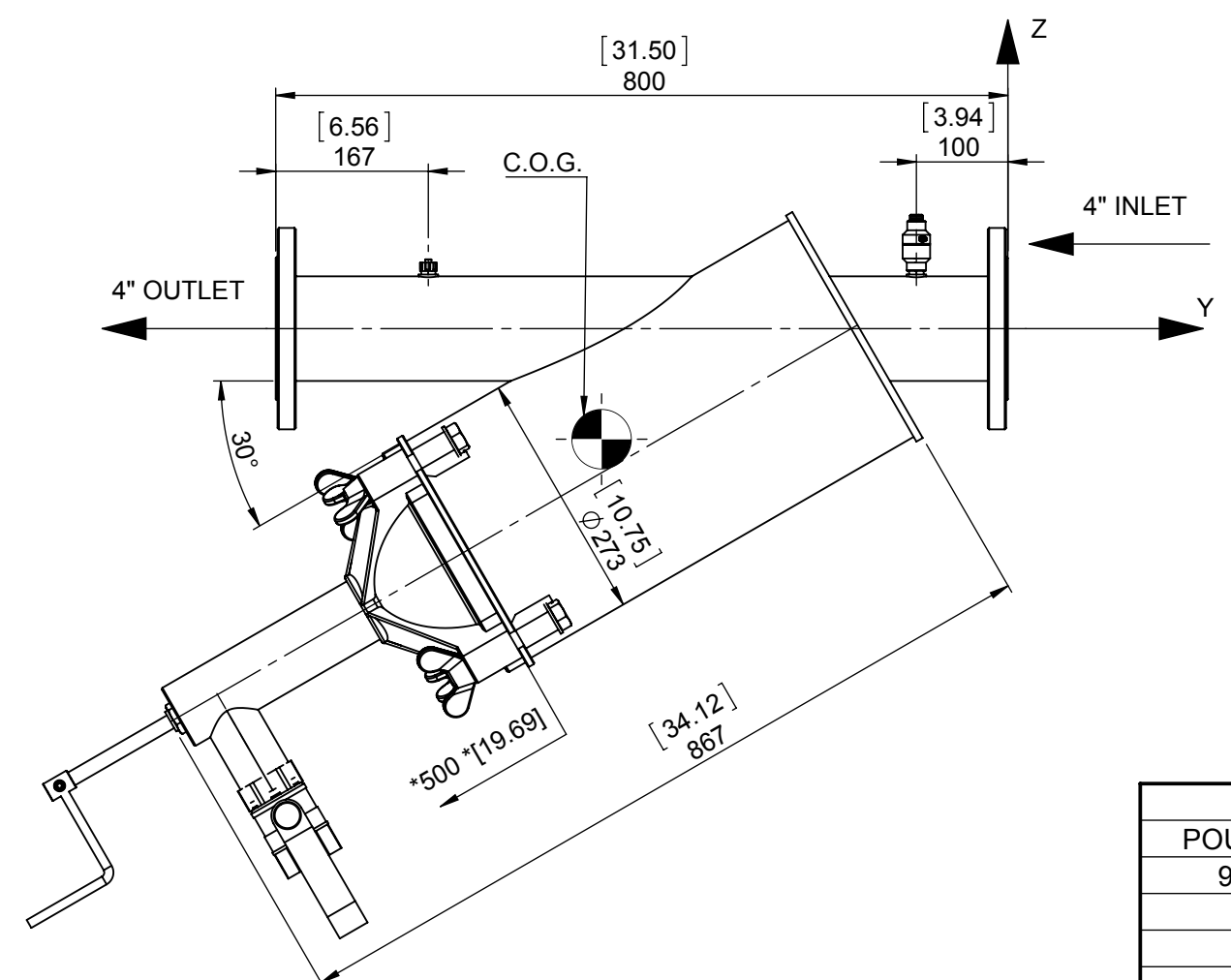


WEIGHT		
POUND	KG	
33	15	
VOLUME		
LITER	USG	
25	6.61	
CENTER OF GRAVITY		
AXIS	INCH	MM
X	0.00	0.0
Y	-12.28	-373
Z	5.24	133

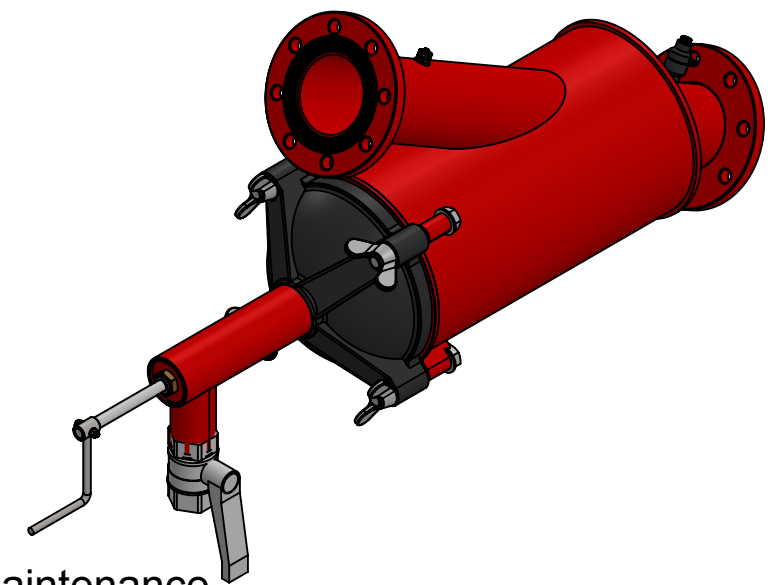
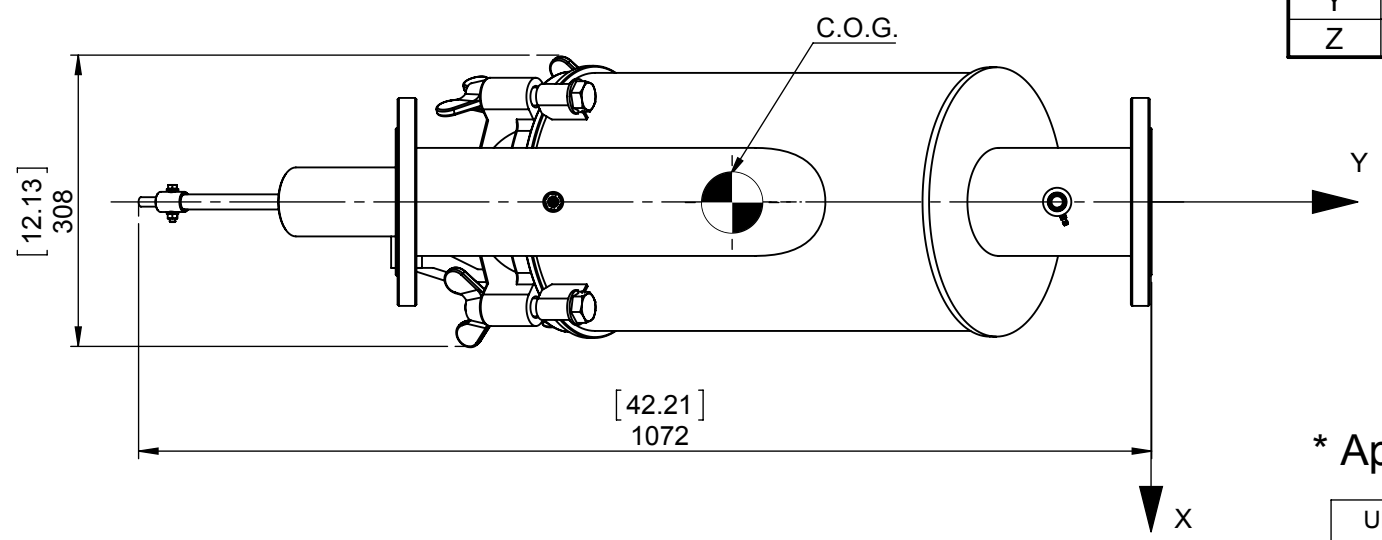


* Approx. space required for maintenance.

UNLESS OTHERWISE SPECIFIED: DIMENSIONS ARE IN MILLIMETERS			PART NAME/TITLE: 3" Scanaway Filter IN/LINE								
<table border="1"> <thead> <tr> <th>NAME</th> <th>DATE</th> </tr> </thead> <tbody> <tr> <td>DRAWN Arkadi</td> <td>26.07.2016</td> </tr> <tr> <td>APPROVED Itay.Z</td> <td>27.07.2016</td> </tr> </tbody> </table>			NAME	DATE	DRAWN Arkadi	26.07.2016	APPROVED Itay.Z	27.07.2016	SUBJECT/PROJECT: 3" Scanaway Filter		
NAME	DATE										
DRAWN Arkadi	26.07.2016										
APPROVED Itay.Z	27.07.2016										
Confidential property information. Amiad Water Systems Ltd. Reserves the rights to make changes. All copy rights reserved to Amiad Water Systems Ltd.			MATERIAL: Various		CAT. NO:	DRW. REV.: 0					
			WEIGHT: 15 KG		DRW. NO: QP-0653						
					SCALE: 1:8						
					SIZE: A3						
					SHEET 1 OF 1						

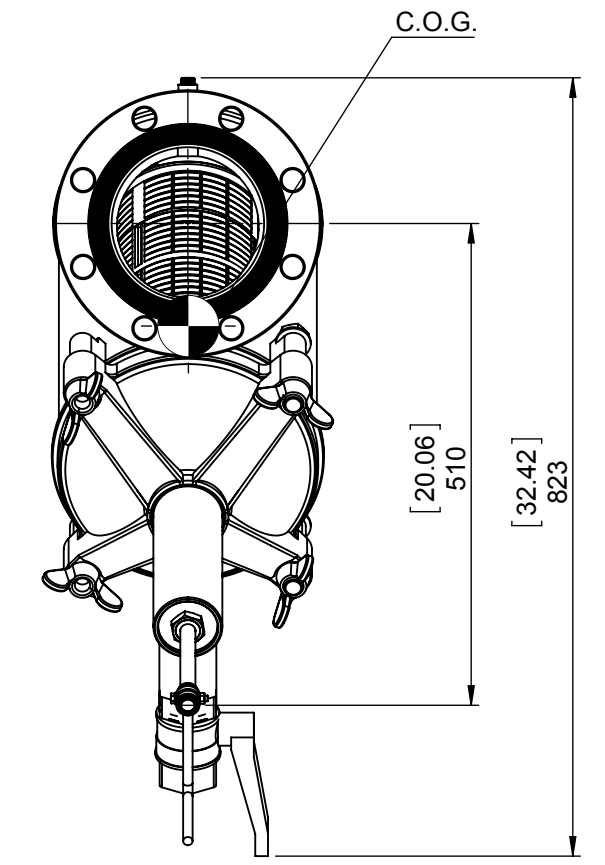
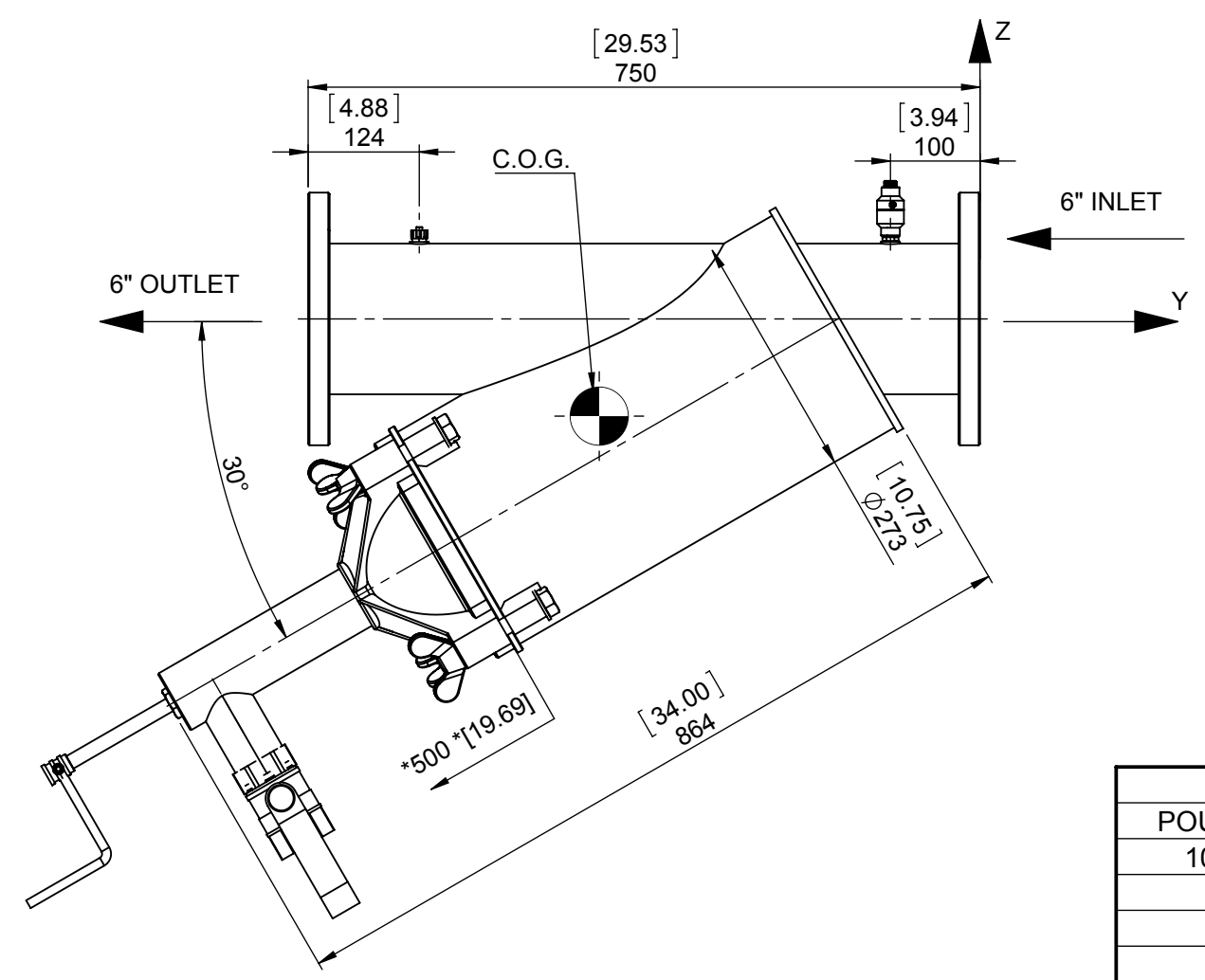


WEIGHT		
POUND	KG	
97	44	
CENTER OF GRAVITY		
AXIS	INCH	MM
X	0.00	0.0
Y	-12.28	-440.4
Z	-4.80	-121.8

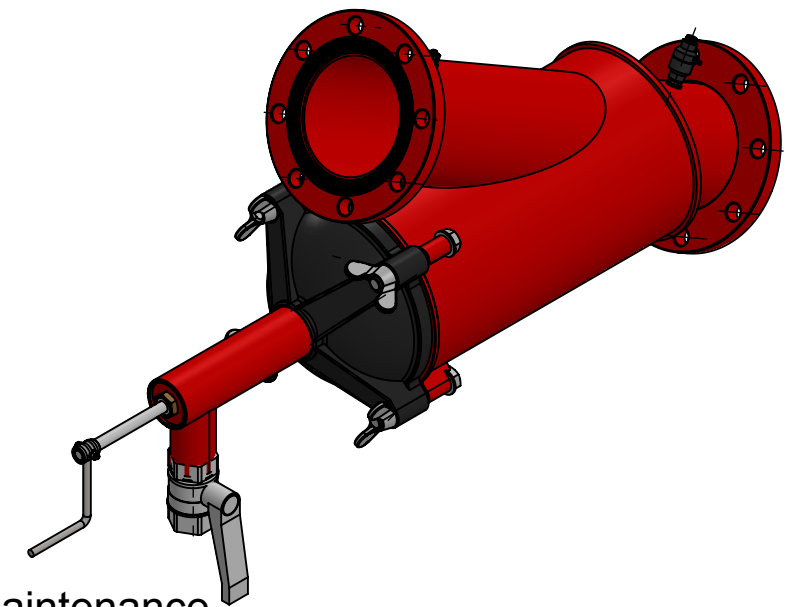
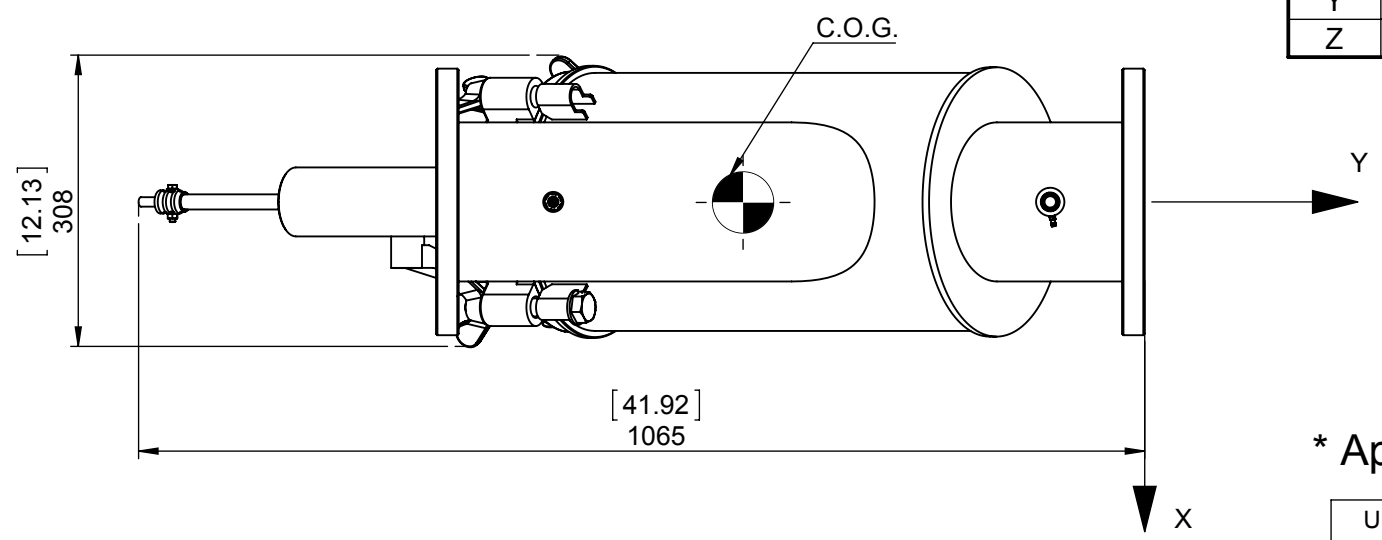


* Approx. space required for maintenance.

UNLESS OTHERWISE SPECIFIED: DIMENSIONS ARE IN MILLIMETERS			PART NAME/TITLE: 4" S Scanaway Filter IN/LINE								
<table border="1" style="width:100%; border-collapse: collapse;"> <thead> <tr> <th>NAME</th> <th>DATE</th> </tr> </thead> <tbody> <tr> <td>DRAWN Arkadi</td> <td>8.08.2016</td> </tr> <tr> <td>APPROVED Itay</td> <td>8.08.2016</td> </tr> </tbody> </table>			NAME	DATE	DRAWN Arkadi	8.08.2016	APPROVED Itay	8.08.2016	SUBJECT/PROJECT: 4" S Scanaway Filter		
NAME	DATE										
DRAWN Arkadi	8.08.2016										
APPROVED Itay	8.08.2016										
Confidential property information. Amiad Water Systems Ltd. Reserves the rights to make changes. All copy rights reserved to Amiad Water Systems Ltd.			MATERIAL: Various		CAT. NO:						
			WEIGHT: 44 KG		DRW. REV.: 0						
			DRW. NO: QP-0656								
			SCALE: 1:20		SIZE: A3						
			SHEET 1 OF 1								

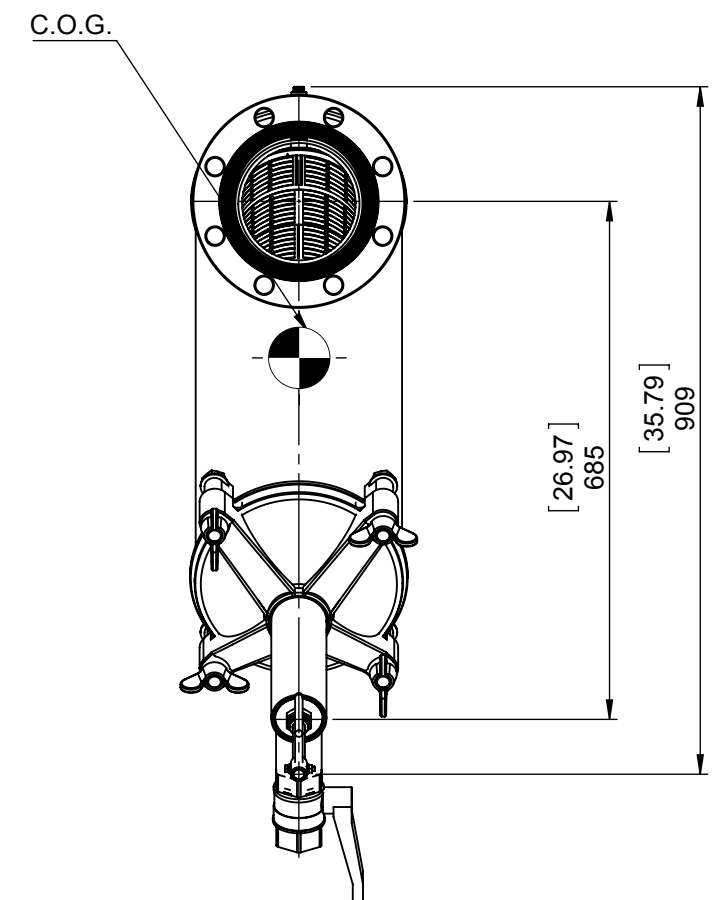
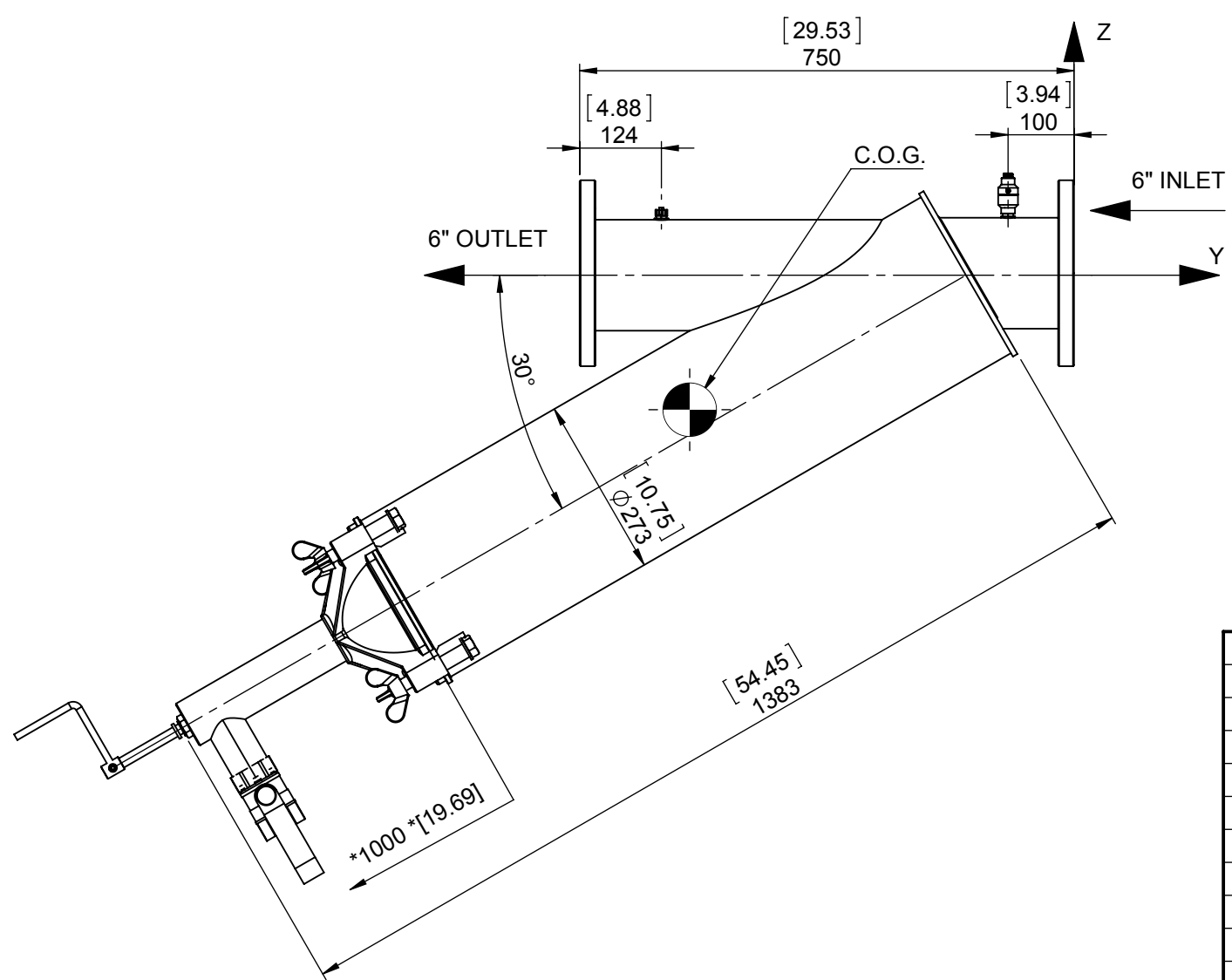


WEIGHT		
POUND	KG	
106	48	
CENTER OF GRAVITY		
AXIS	INCH	MM
X	0.00	0.0
Y	-12.28	-424.3
Z	-4.19	-106.3

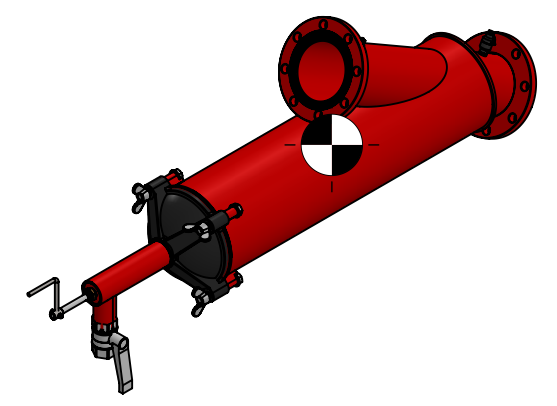
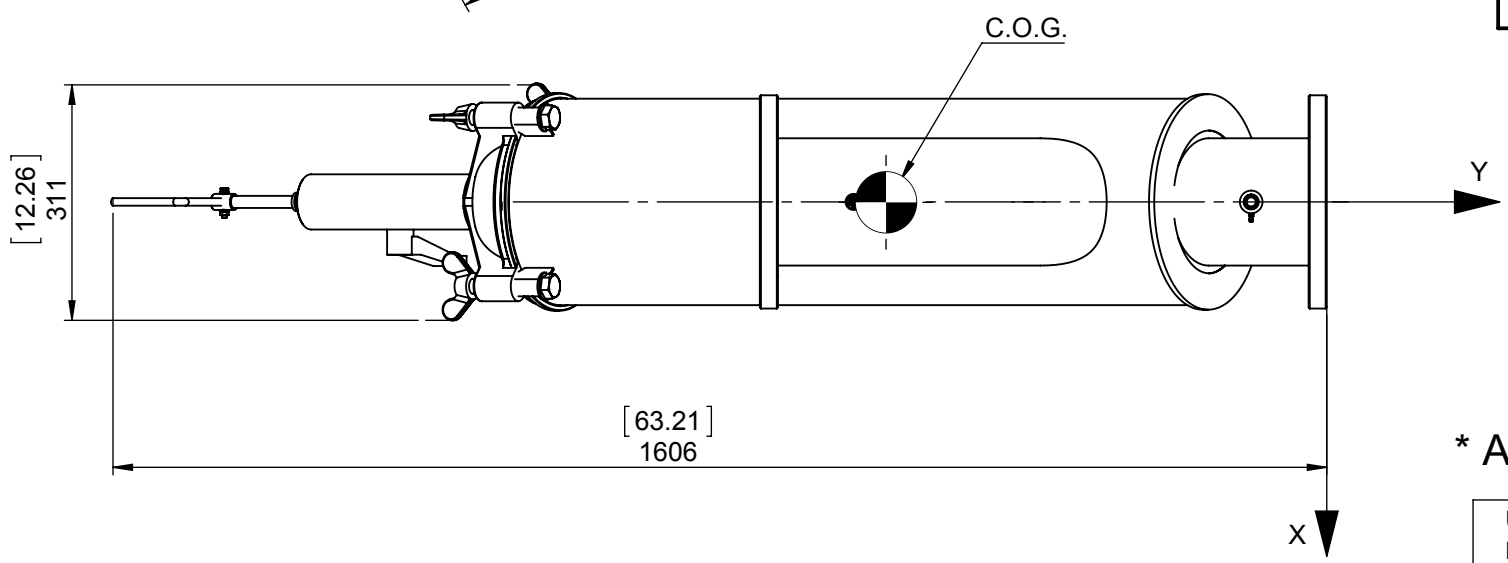


* Approx. space required for maintenance.

UNLESS OTHERWISE SPECIFIED: DIMENSIONS ARE IN MILLIMETERS			PART NAME/TITLE: 6"C Scanaway Filter IN/LINE		
	NAME	DATE	SUBJECT/PROJECT: 6"C Scanawayl Filter		
DRAWN	Arkadi	9.08.2016	MATERIAL: Various		CAT. NO:
APPROVED	Itay	9.08.2016	WEIGHT: 49 KG		DRW. REV.: 0
Confidential property information. Amiad Water Systems Ltd. Reserves the rights to make changes. All copy rights reserved to Amiad Water Systems Ltd.			DRW. NO: QP-0658		SHEET 1 OF 1
			SCALE: 1:20	SIZE: A3	



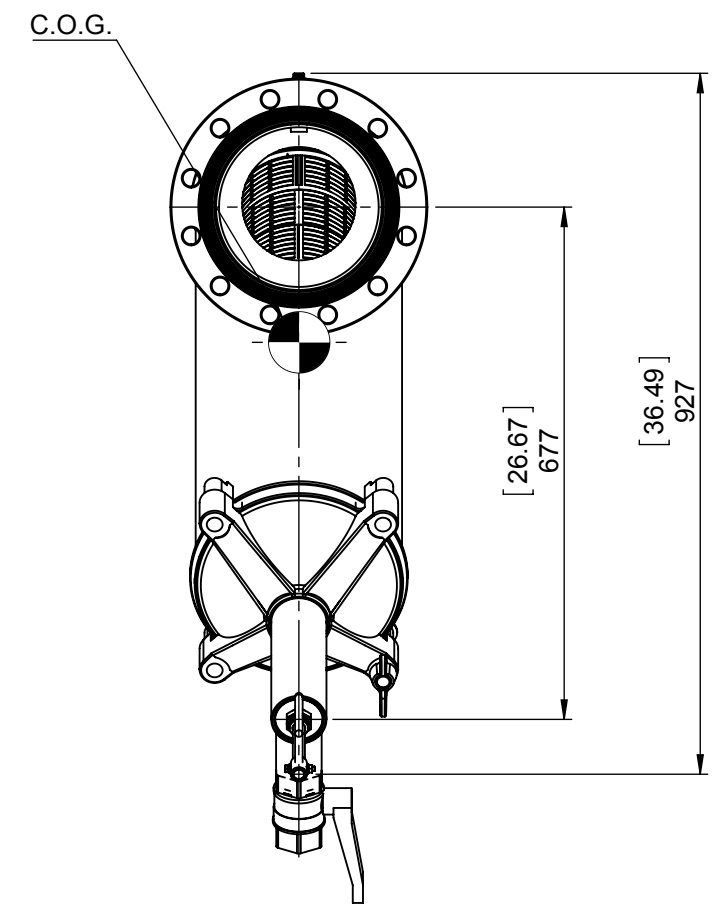
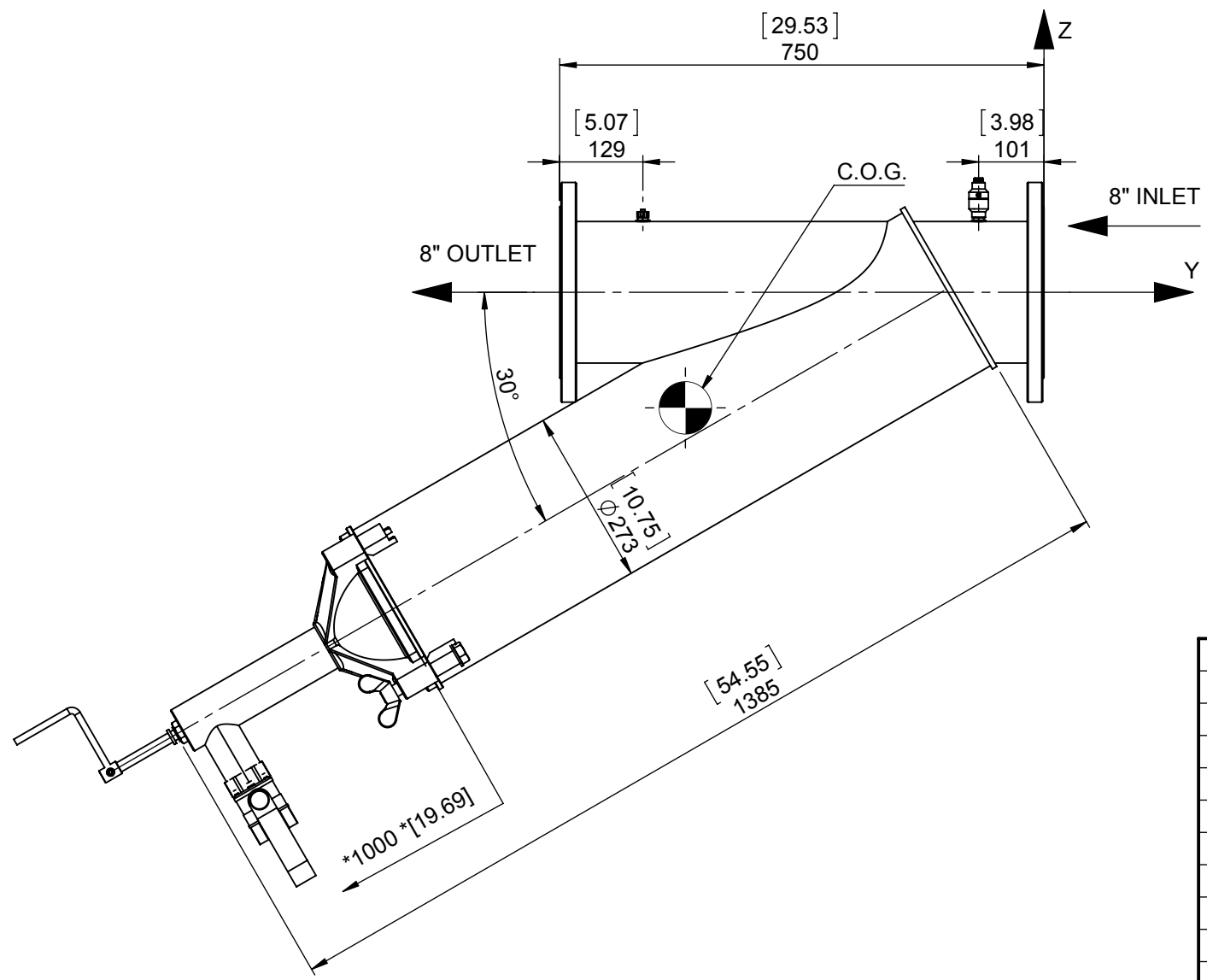
WEIGHT		
POUND	KG	
141	64	
CENTER OF GRAVITY		
AXIS	INCH	MM
X	0.00	0.0
Y	-12.28	-582.3
Z	-8.13	-206.5



* Approx. space required for maintenance.

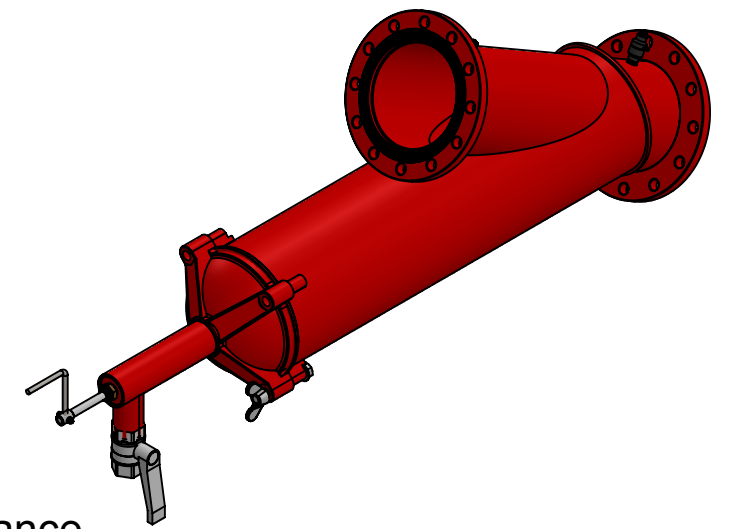
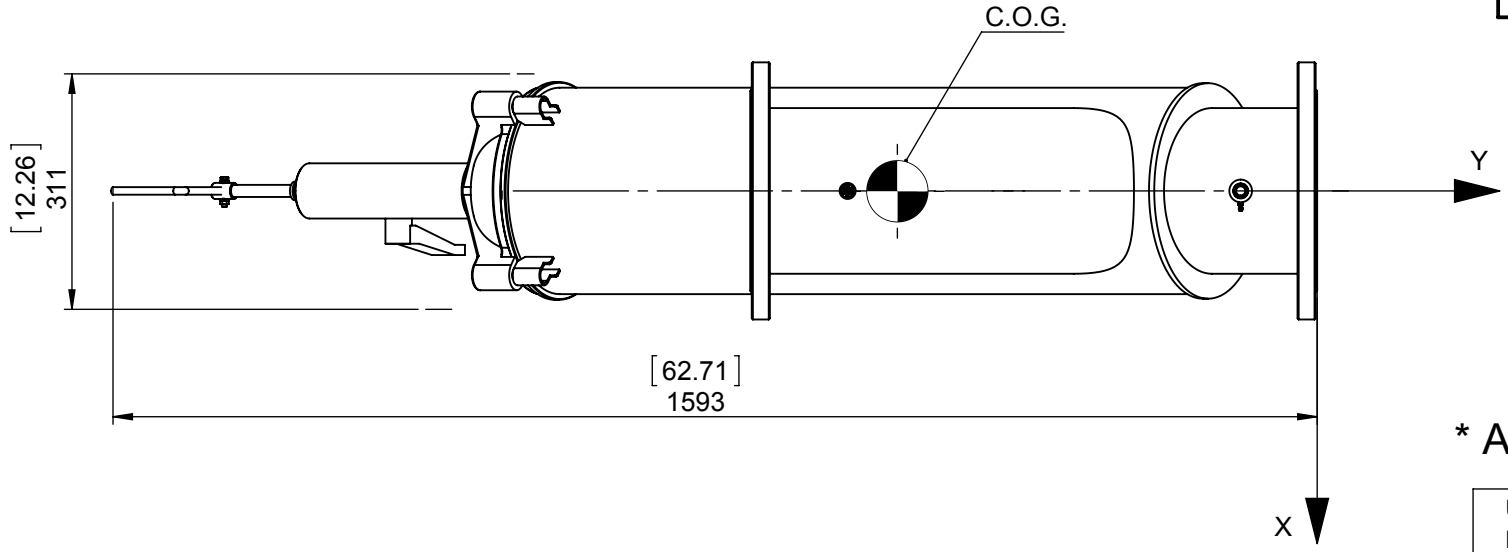
UNLESS OTHERWISE SPECIFIED: DIMENSIONS ARE IN MILLIMETERS			PART NAME/TITLE: 6"S Scanaway Filter IN/LINE		
	NAME	DATE	SUBJECT/PROJECT: 6"S Scanaway Filter		
DRAWN	Arkadi	9.08.2016	MATERIAL: Various		CAT. NO:
APPROVED	Itay	9.08.2016	WEIGHT: 64 KG		DRW. REV.: 0
Confidential property information. Amiad Water Systems Ltd. Reserves the rights to make changes. All copy rights reserved to Amiad Water Systems Ltd.			DRW. NO: QP-0661		
			SCALE: 1:20		SIZE: A3
			SHEET 1 OF 1		

REV.	DATE	DESCRIPTION	ECO NO.	NAME
A	22.09.16	IN/OUTLET DIAMETER CHANGED		ARKADI



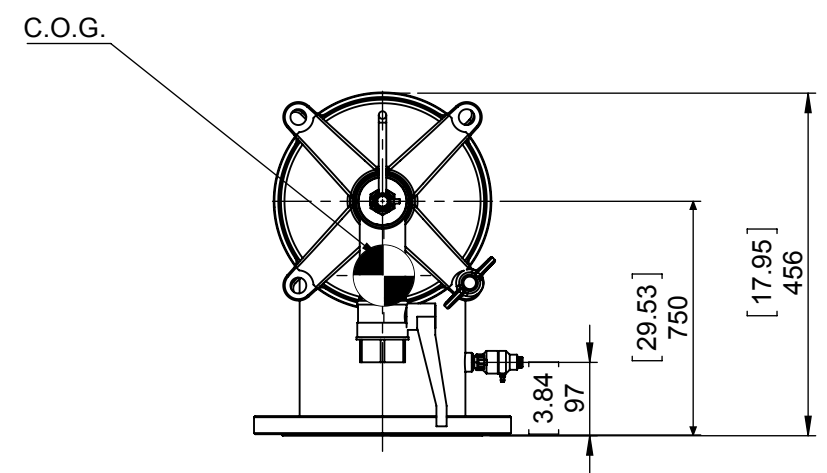
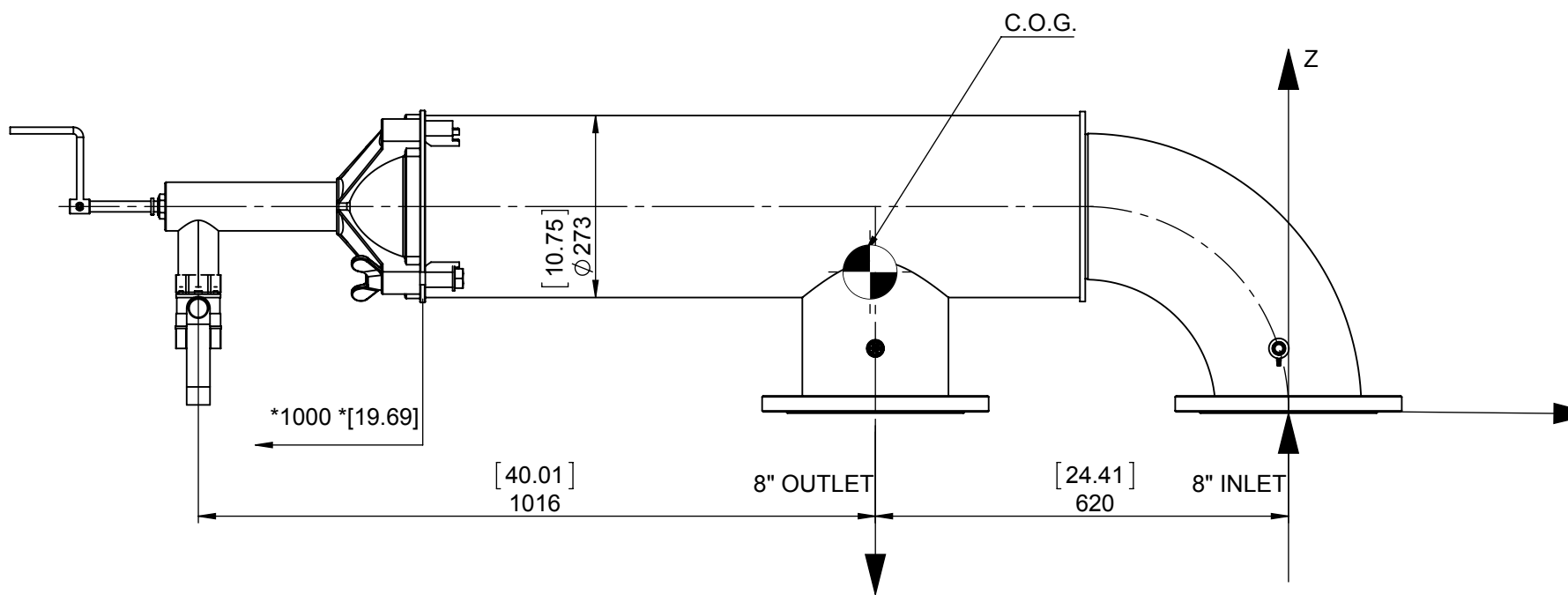
WEIGHT	
POUND	KG
156	71

CENTER OF GRAVITY		
AXIS	INCH	MM
X	0.00	0.0
Y	-12.28	-582.3
Z	-8.13	-206.5

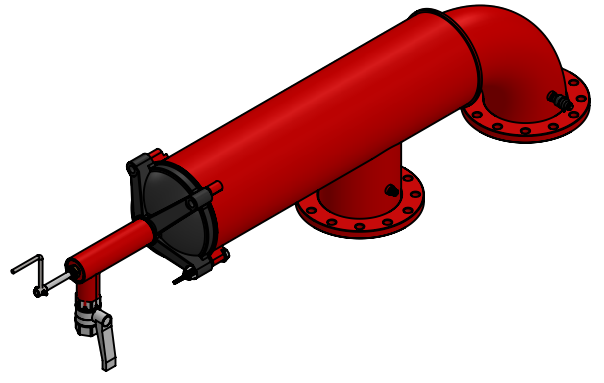
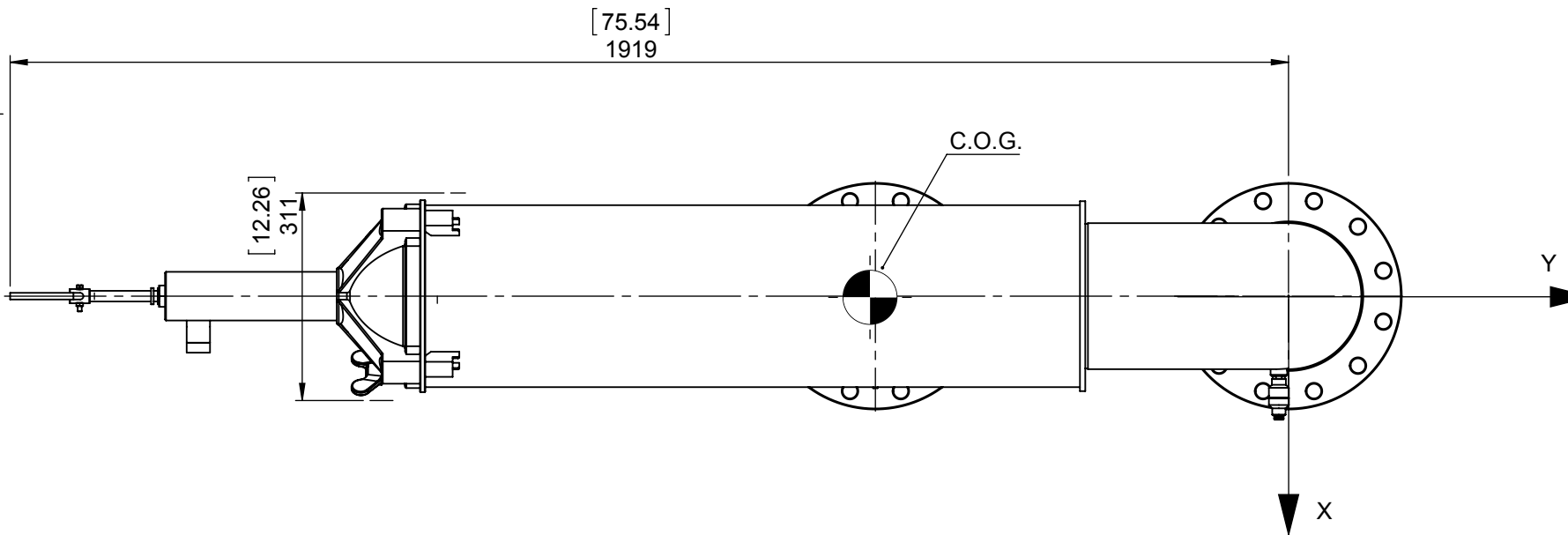


* Approx. space required for maintenance.

UNLESS OTHERWISE SPECIFIED: DIMENSIONS ARE IN MILLIMETERS			PART NAME/TITLE: 8" Scanaway Filter IN/LINE								
<table border="1"> <thead> <tr> <th>NAME</th> <th>DATE</th> </tr> </thead> <tbody> <tr> <td>DRAWN Arkadi</td> <td>9.08.2016</td> </tr> <tr> <td>APPROVED Itay</td> <td>9.08.2016</td> </tr> </tbody> </table>			NAME	DATE	DRAWN Arkadi	9.08.2016	APPROVED Itay	9.08.2016	SUBJECT/PROJECT: 8" Scanaway Filter		
NAME	DATE										
DRAWN Arkadi	9.08.2016										
APPROVED Itay	9.08.2016										
Confidential property information. Amiad Water Systems Ltd. Reserves the rights to make changes. All copy rights reserved to Amiad Water Systems Ltd.			MATERIAL: Various		CAT. NO:						
			WEIGHT: 69 KG		DRW. REV.: A						
			DRW. NO: QP-0666		SCALE: 1:20						
			SIZE: A3		SHEET 1 OF 1						



WEIGHT		
POUND	KG	
176	80	
CENTER OF GRAVITY		
AXIS	INCH	MM
X	0.00	0.0
Y	-12.28	-637.2
Z	8.29	210.5



* Approx. space required for maintenance.

[Click to Shop Online Metal Scanaway Filters](#)

UNLESS OTHERWISE SPECIFIED: DIMENSIONS ARE IN MILLIMETERS			PART NAME/TITLE: 8" Modular Scanaway Filter ON/LINE		
DRAWN	NAME Arkadi	DATE 11.08.2016	SUBJECT/PROJECT: 8" Modular Scanaway Filter		
APPROVED	NAME Itay	DATE 11.08.2016	MATERIAL: Various	CAT. NO:	DRW. REV.: 0
Confidential property information. Amiad Water Systems Ltd. Reserves the rights to make changes. All copy rights reserved to Amiad Water Systems Ltd.			WEIGHT: 69 KG	DRW. NO: QP-0665	
			SCALE: 1:20	SIZE: A3	SHEET 1 OF 1