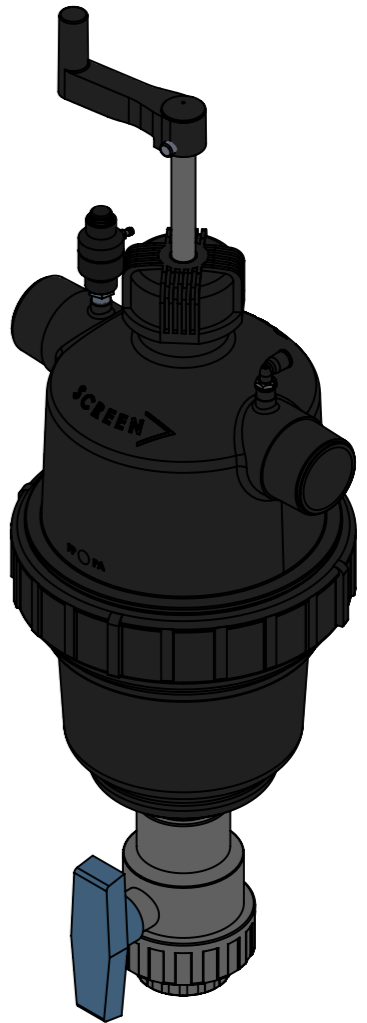
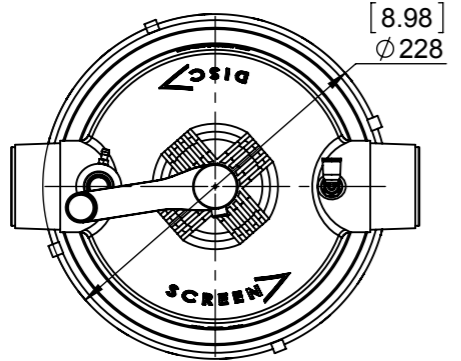
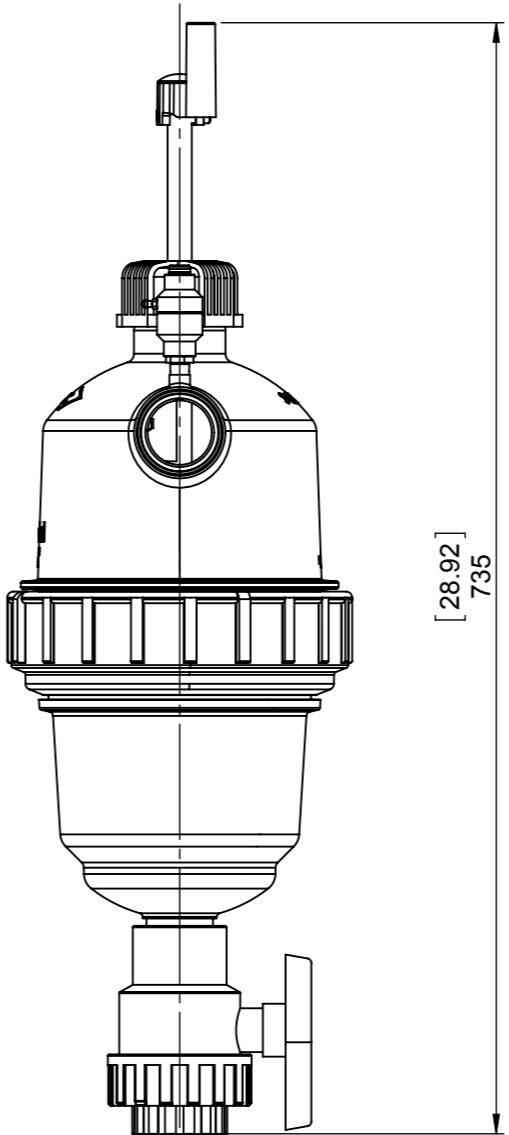
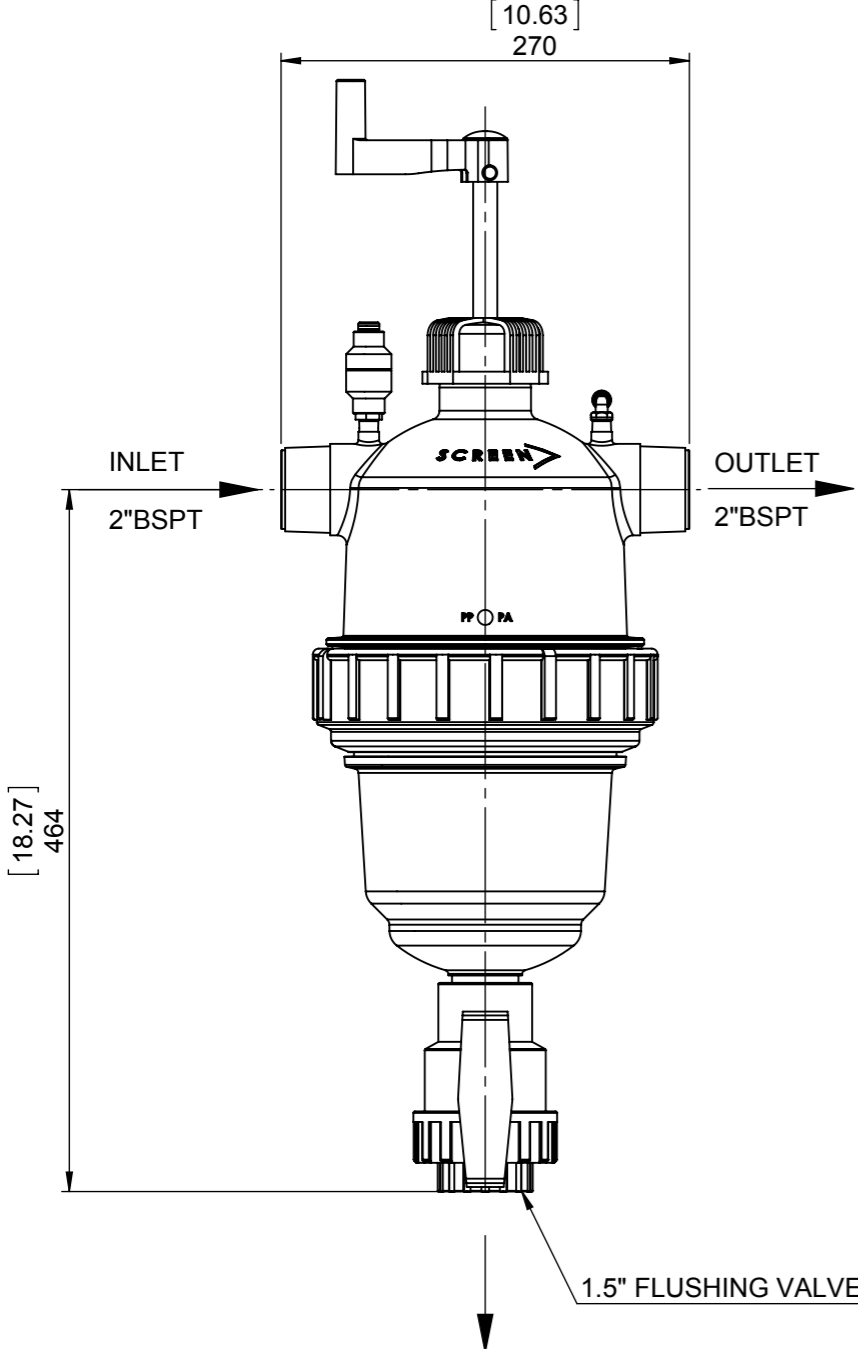


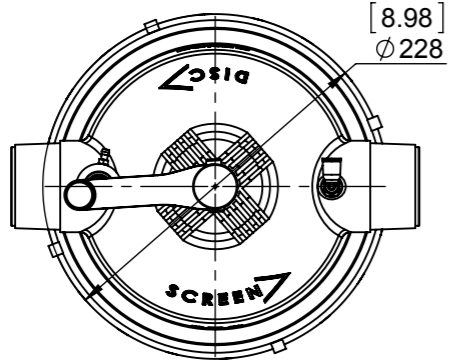
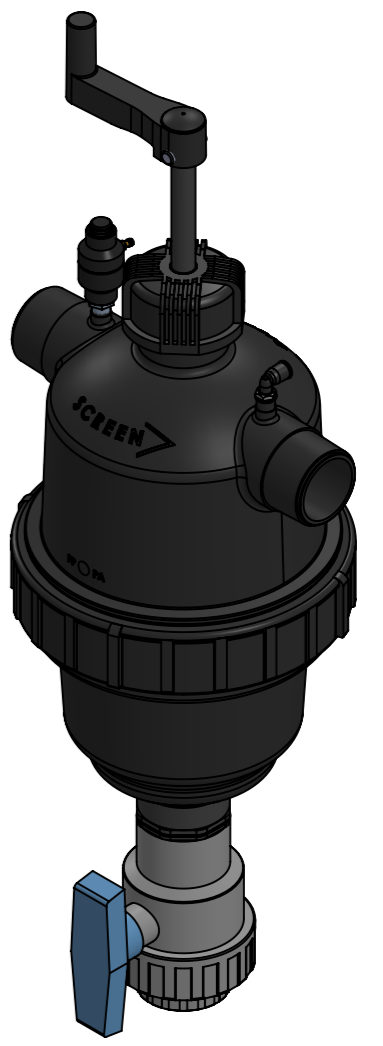
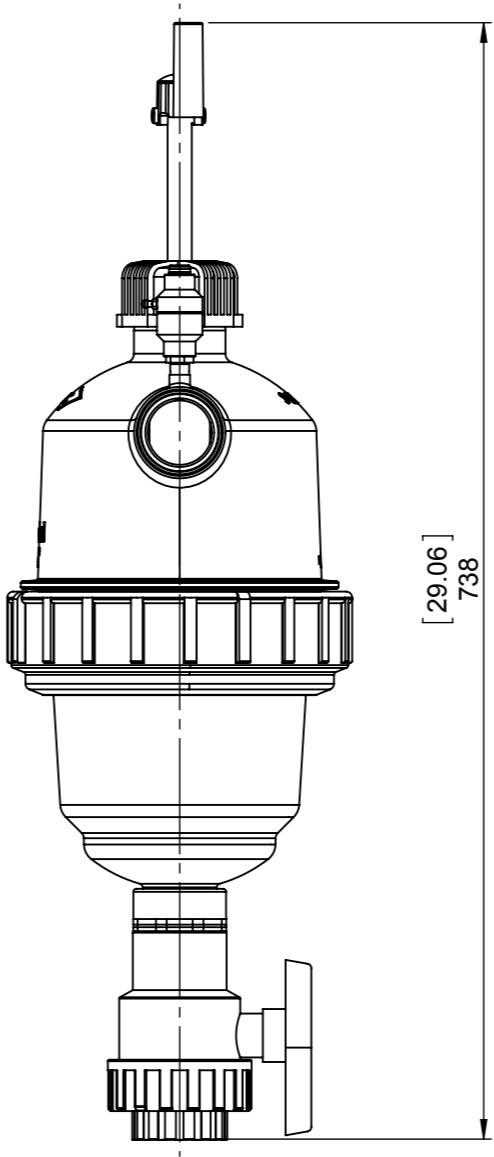
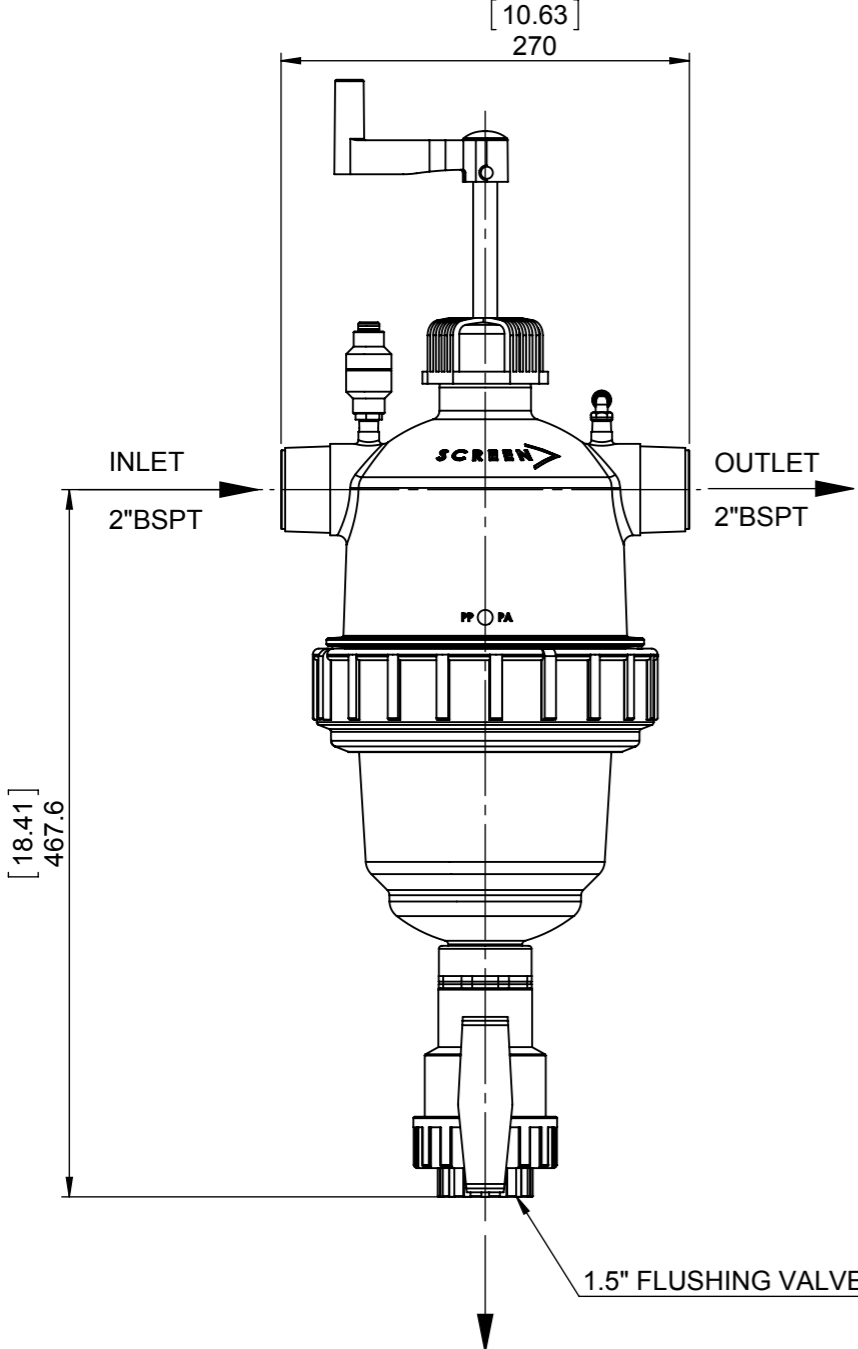
REV.	DATE	DESCRIPTION	ECO NO.	NAME
------	------	-------------	---------	------



Click to:
Shop Online semi-automatic plastic filters amiad

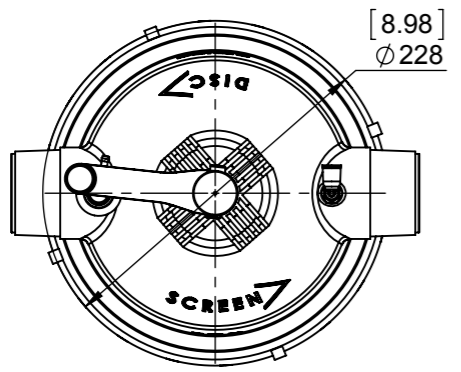
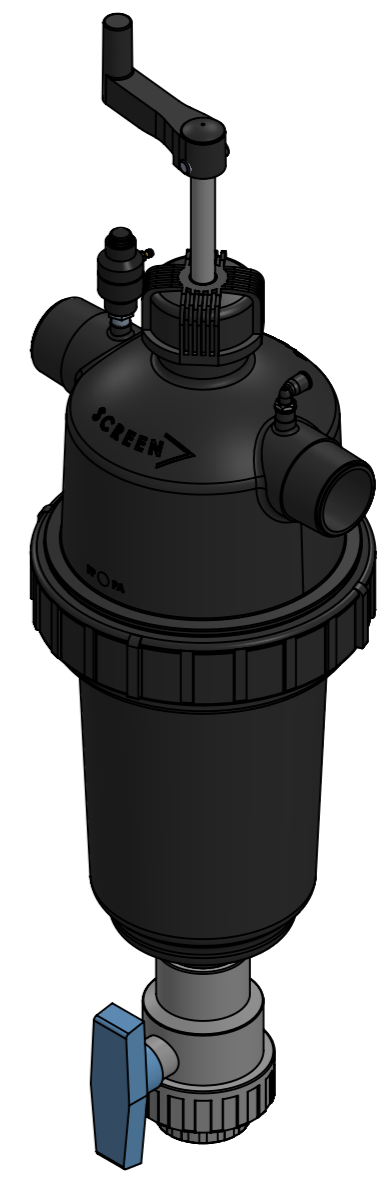
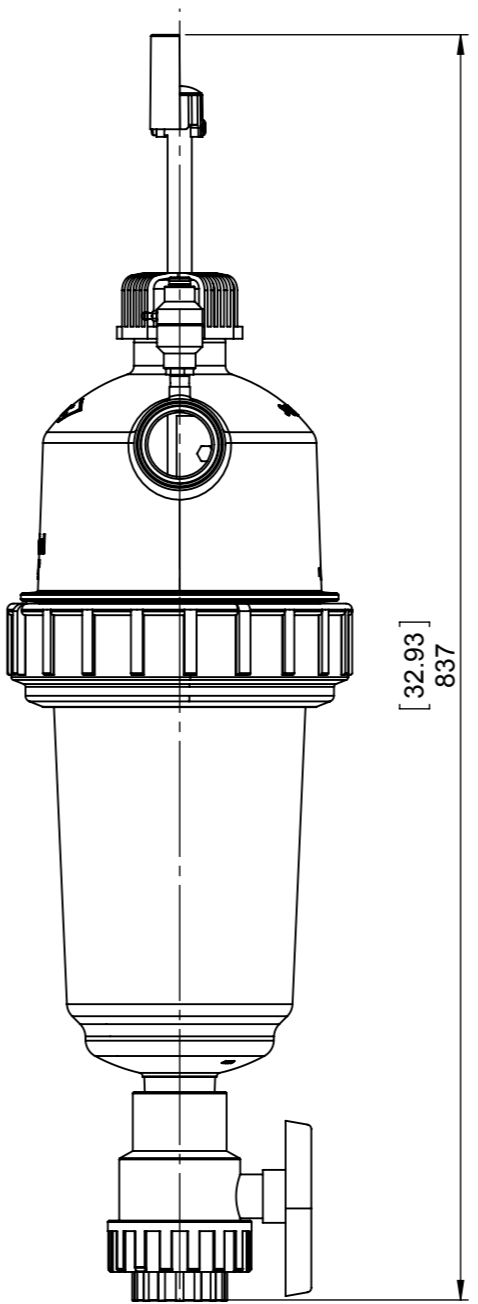
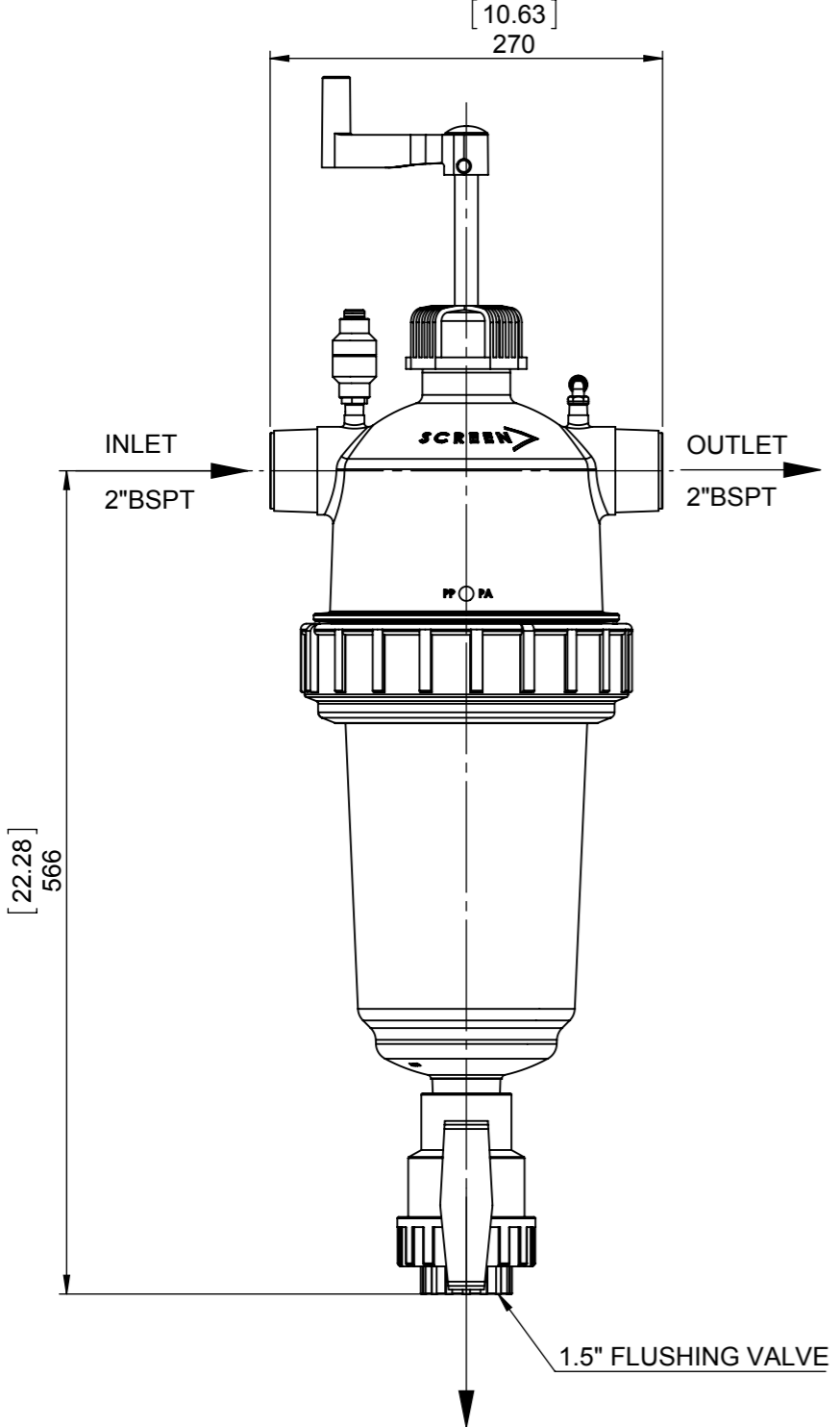
UNLESS OTHERWISE SPECIFIED: DIMENSIONS ARE IN MILLIMETERS			PART NAME/TITLE: 2" T BRUSHAWAY BSPT FILTER MOLDED SCREEN 200MIC		
DRAWN Arkadi 15.05.2017			SUBJECT/PROJECT: 2" T BRASHAWAY FILTER		
APPROVED Marina.K 15.05.2017			MATERIAL:		CAT. NO: 030001-000008
Confidential property information. Amiad Water Systems Ltd. Reserves the rights to make changes. All copy rights reserved to Amiad Water Systems Ltd.			WEIGHT: 3.54 KG		DRW. REV.: A
					DRW. NO: 030001-000008-GA
			SCALE: 1:10	SIZE: A3	SHEET 1 OF 1

REV.	DATE	DESCRIPTION	ECO NO.	NAME
------	------	-------------	---------	------



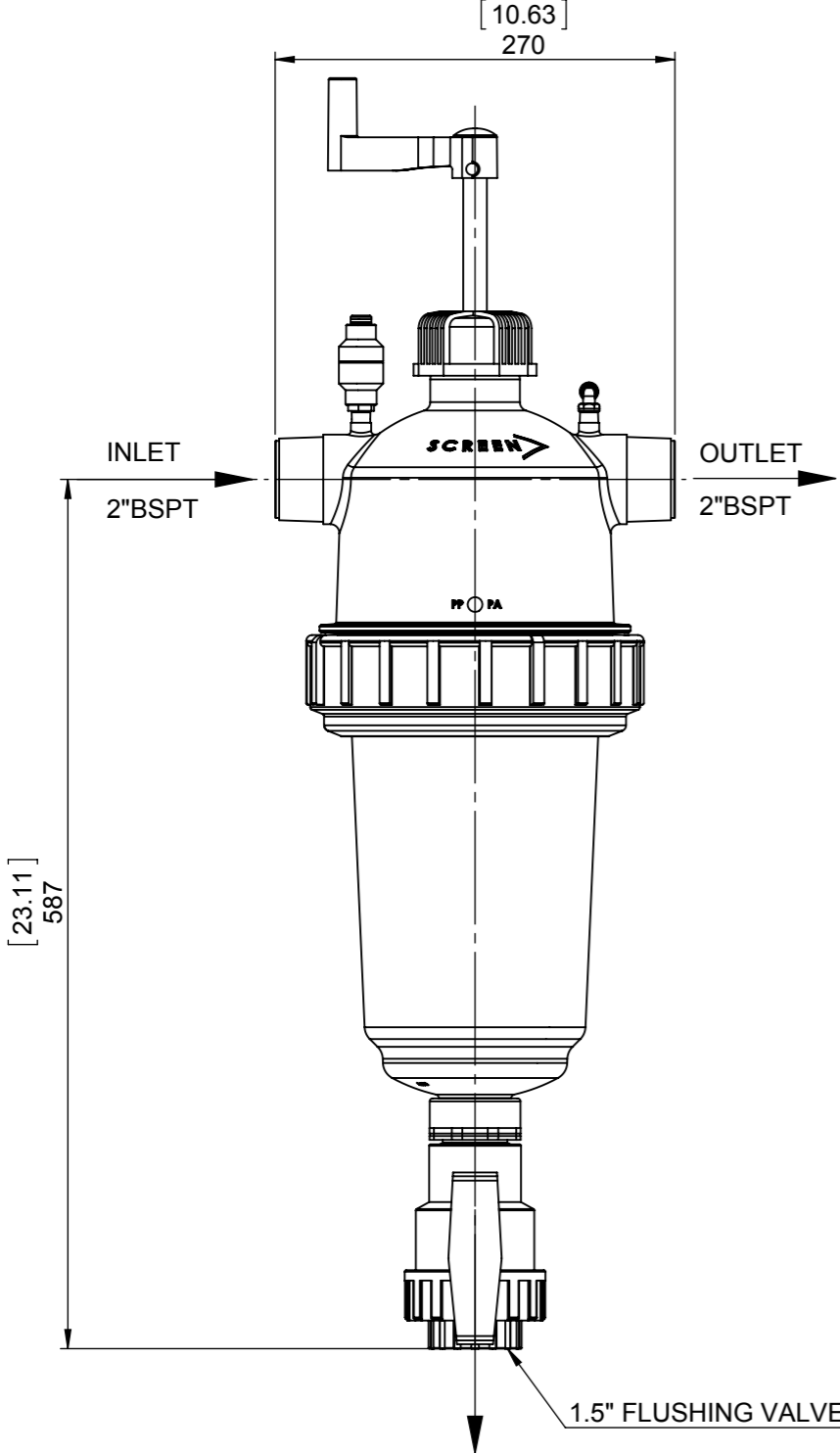
UNLESS OTHERWISE SPECIFIED: DIMENSIONS ARE IN MILLIMETERS			PART NAME/TITLE: 2" T BSPT THREAD SCANAWAY MOLDED SCREEN 130MIC								
<table border="1"> <thead> <tr> <th>NAME</th> <th>DATE</th> </tr> </thead> <tbody> <tr> <td>DRAWN Arkadi</td> <td>15.05.2017</td> </tr> <tr> <td>APPROVED Marina.K</td> <td>15.05.2017</td> </tr> </tbody> </table>			NAME	DATE	DRAWN Arkadi	15.05.2017	APPROVED Marina.K	15.05.2017	SUBJECT/PROJECT: 2" T SCANAWAY FILTER		
NAME	DATE										
DRAWN Arkadi	15.05.2017										
APPROVED Marina.K	15.05.2017										
Confidential property information. Amiad Water Systems Ltd. Reserves the rights to make changes. All copy rights reserved to Amiad Water Systems Ltd.			MATERIAL:		CAT. NO: 030000-000015						
			WEIGHT: 3.74 KG		DRW. REV.: A						
			DRW. NO: 030000-000015-GA		SCALE: 1:10						
			SIZE: A3		SHEET 1 OF 1						

REV.	DATE	DESCRIPTION	ECO NO.	NAME
------	------	-------------	---------	------



UNLESS OTHERWISE SPECIFIED: DIMENSIONS ARE IN MILLIMETERS			PART NAME/TITLE: 2" T SUPER BRUSHAWAY MOLDED SCREEN 200MIC		
DRAWN	Arkadi	18.05.2017	SUBJECT/PROJECT: 2" T SUPER BRUSHAWAY FILTER		
APPROVED	Marina.K	18.05.2017	MATERIAL:		CAT. NO: 030003-000008
Confidential property information. Amiad Water Systems Ltd. Reserves the rights to make changes. All copy rights reserved to Amiad Water Systems Ltd.			WEIGHT: 4.36 KG		DRW. REV.: A
					DRW. NO: 030003-000008-GA
			SCALE: 1:10	SIZE: A3	SHEET 1 OF 1

REV.	DATE	DESCRIPTION	ECO NO.	NAME
------	------	-------------	---------	------

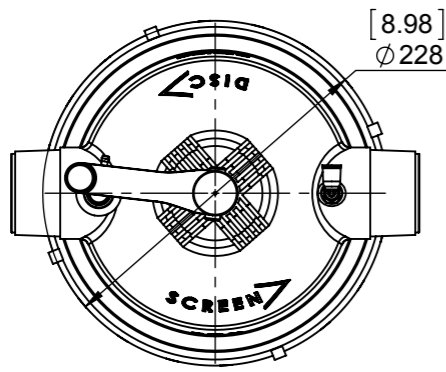


[23.11]
587

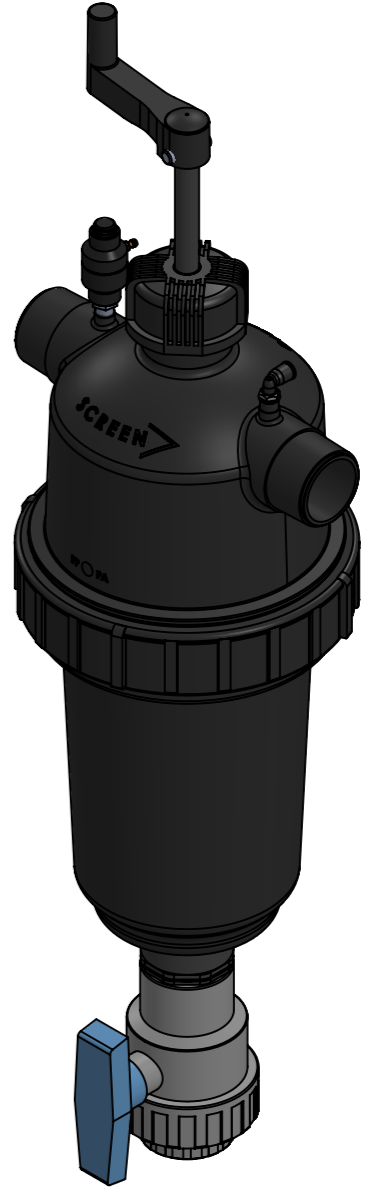
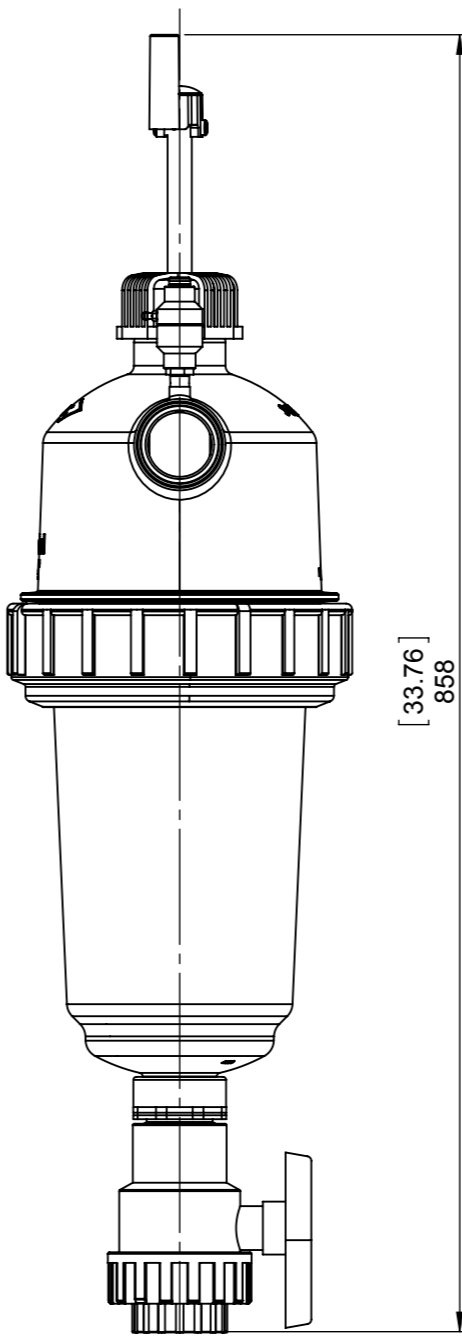
[10.63]
270

[33.76]
858

1.5" FLUSHING VALVE

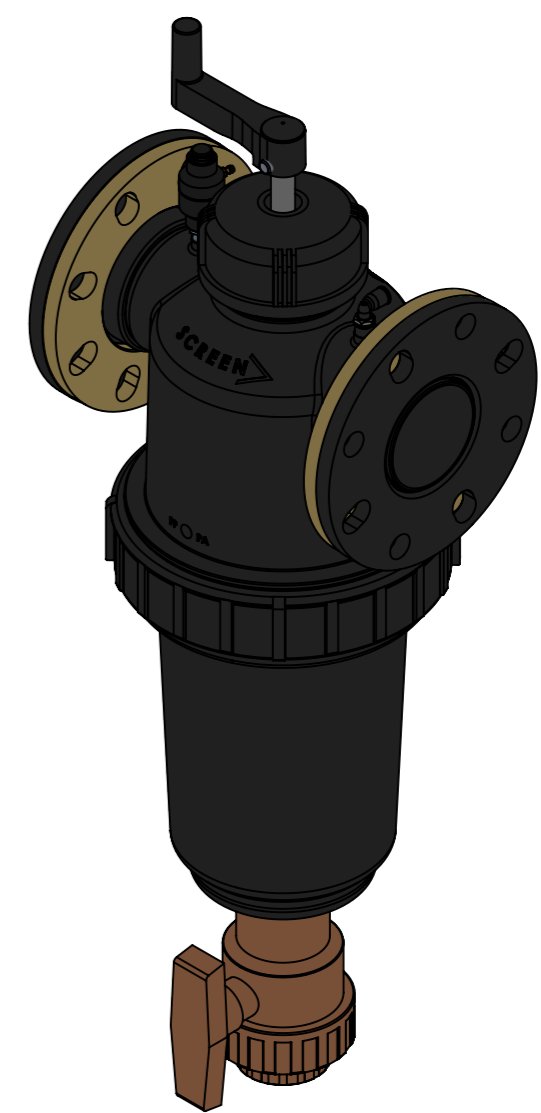
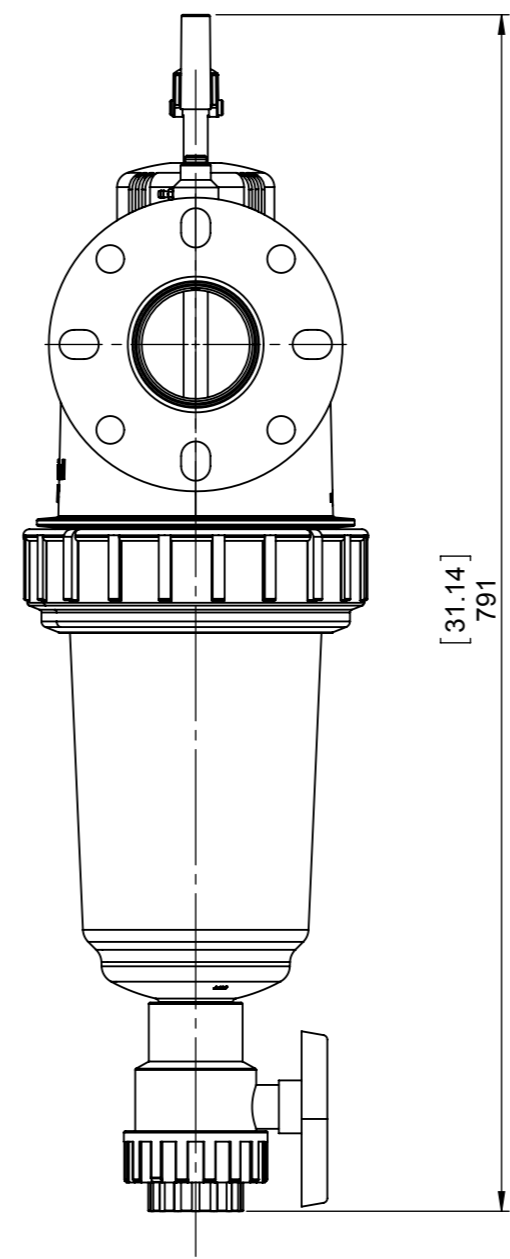
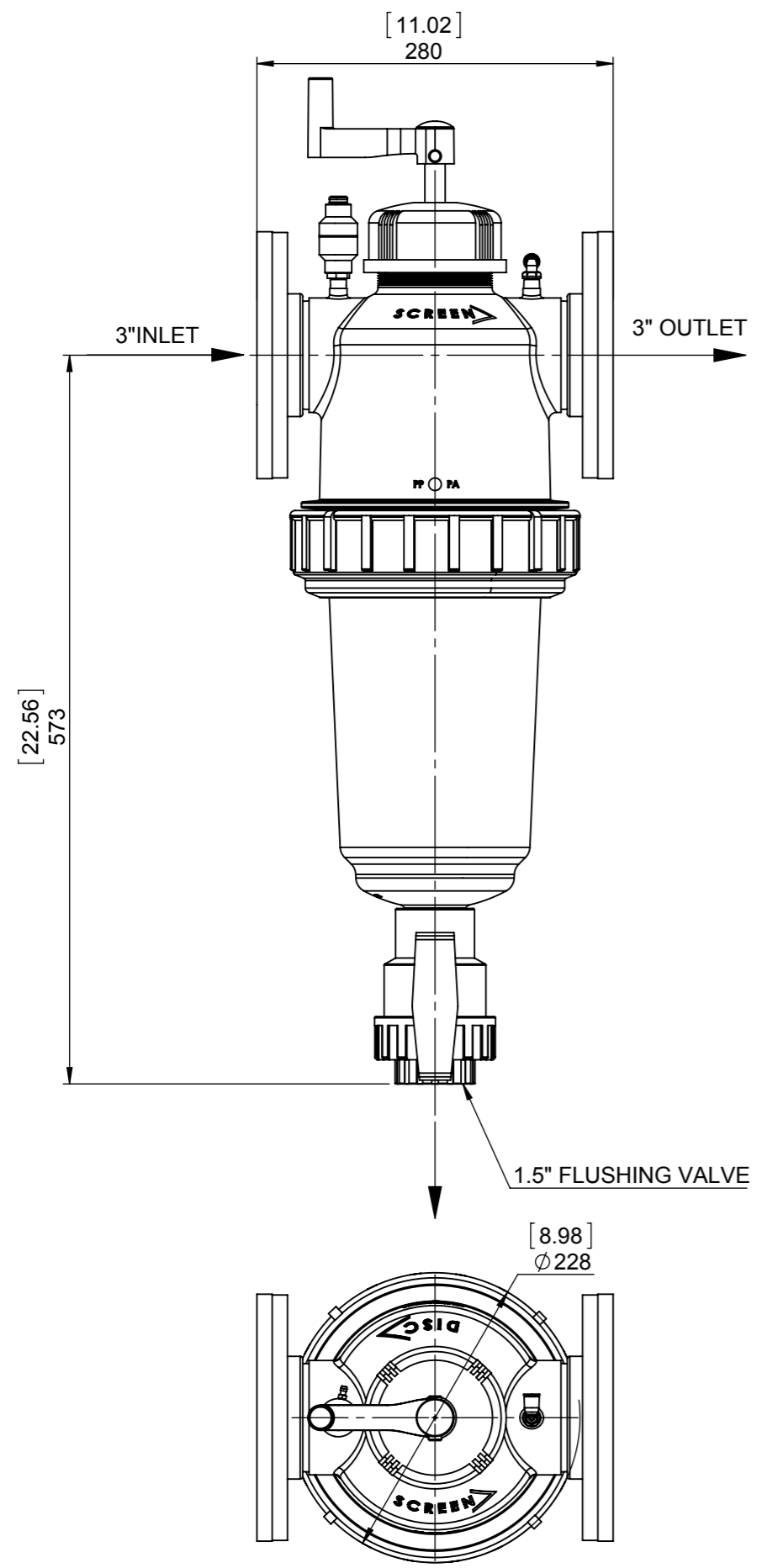


[8.98]
Ø228



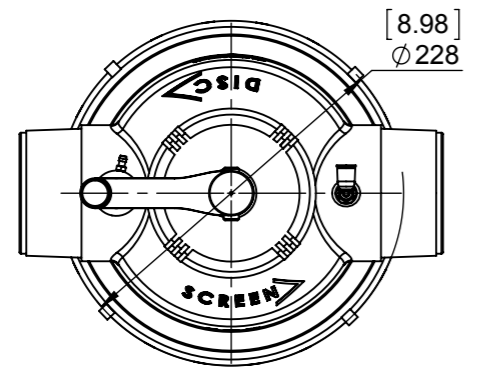
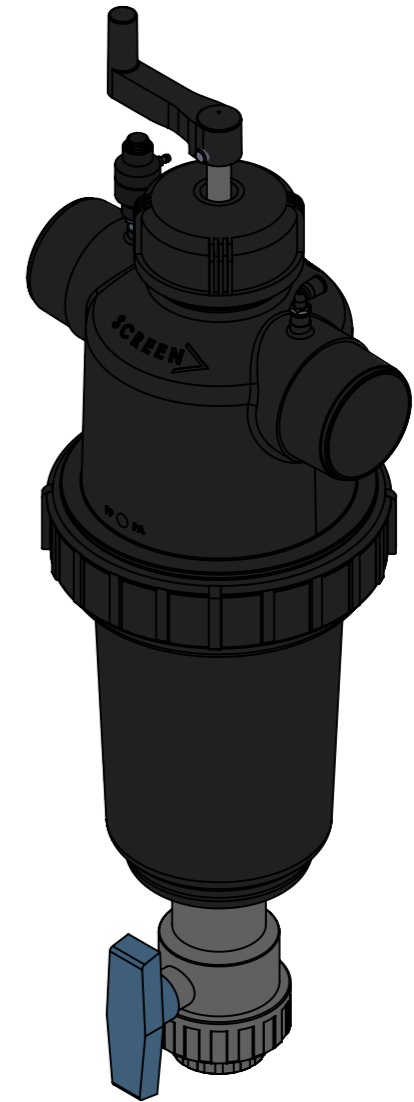
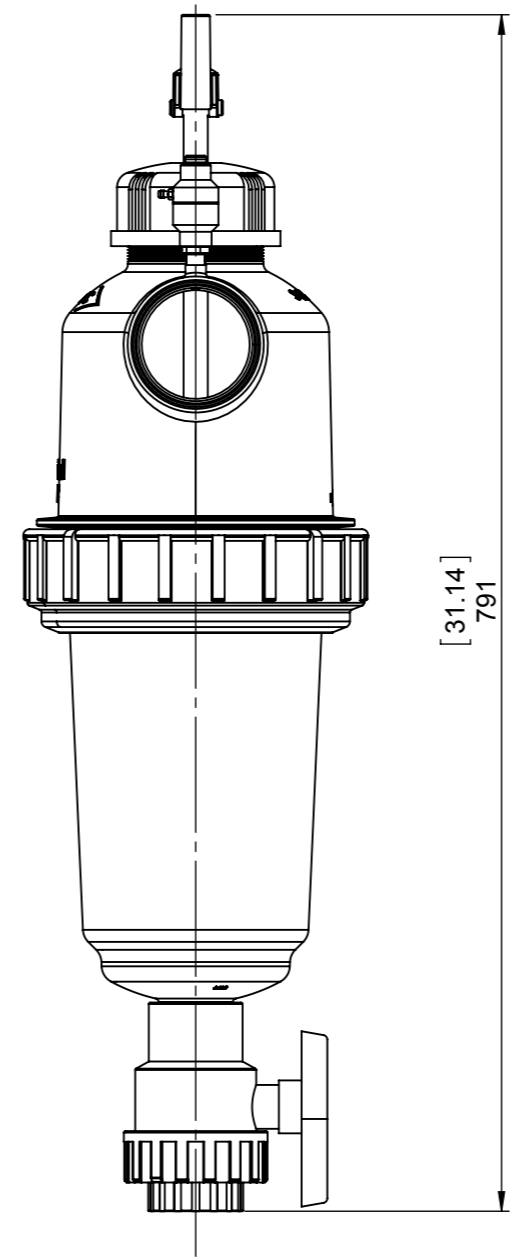
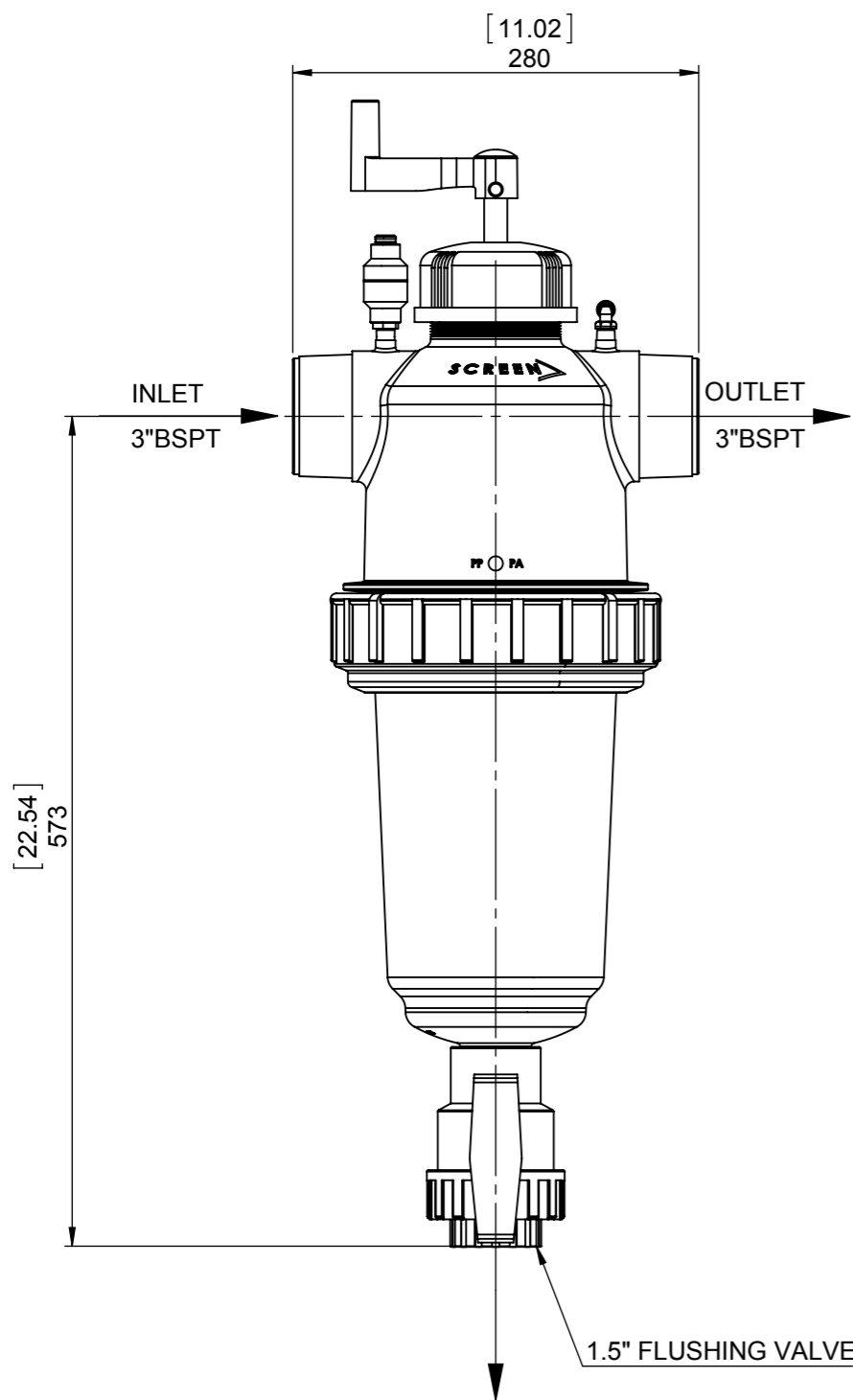
UNLESS OTHERWISE SPECIFIED: DIMENSIONS ARE IN MILLIMETERS			PART NAME/TITLE: 2" T SUPER BSPT SCANAWAY MOLDED SCREEN 130MIC											
<table border="1" style="width:100%; border-collapse: collapse;"> <thead> <tr> <th style="width:10%;"></th> <th style="width:40%;">NAME</th> <th style="width:30%;">DATE</th> </tr> </thead> <tbody> <tr> <td>DRAWN</td> <td>Arkadi</td> <td>15.05.2017</td> </tr> <tr> <td>APPROVED</td> <td>Marina.K</td> <td>15.05.2017</td> </tr> </tbody> </table>				NAME	DATE	DRAWN	Arkadi	15.05.2017	APPROVED	Marina.K	15.05.2017	SUBJECT/PROJECT: 2" T SUPER SCANAWAY FILTER		
	NAME	DATE												
DRAWN	Arkadi	15.05.2017												
APPROVED	Marina.K	15.05.2017												
Confidential property information. Amiad Water Systems Ltd. Reserves the rights to make changes. All copy rights reserved to Amiad Water Systems Ltd.			MATERIAL:		CAT. NO: 030002-000013									
			WEIGHT: 4.55 KG		DRW. REV.: A									
			DRW. NO: 030002-000013-GA		SHEET 1 OF 1									
			SCALE: 1:10	SIZE: A3										

8	7	6	5	4	3	2	1
REV.	DATE	DESCRIPTION		ECO NO.	NAME		
F							
E							
D							
C							
B							
A							



UNLESS OTHERWISE SPECIFIED: DIMENSIONS ARE IN MILLIMETERS			PART NAME/TITLE: 3" T ISO-16 BRUSHAWAY MOLDED SCREEN 200mic.		
	NAME	DATE	SUBJECT/PROJECT: 3" T BRUSHAWAY FILTERS		
DRAWN	Arkadi	18.05.2017	MATERIAL: VARIOUS		CAT. NO: 030005-000027
APPROVED	Marina.K	18.05.2017	WEIGHT: 8.93 KG		DRW. REV.: A
Confidential property information. Amiad Water Systems Ltd. Reserves the rights to make changes. All copy rights reserved to Amiad Water Systems Ltd.					DRW. NO: 030005-000027-GA
		SCALE: 1:10		SIZE: A3	SHEET 1 OF 1

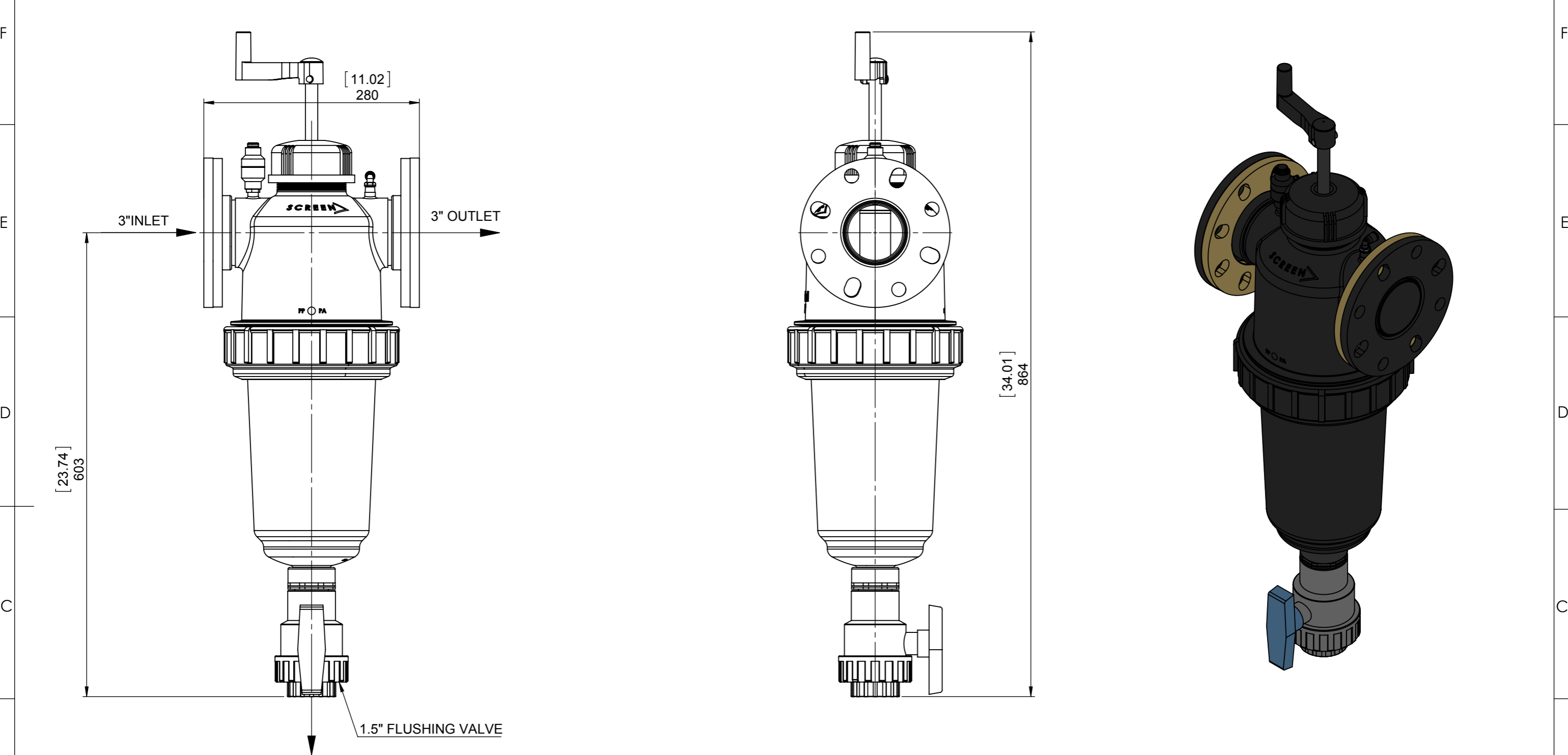
REV.	DATE	DESCRIPTION	ECO NO.	NAME
------	------	-------------	---------	------



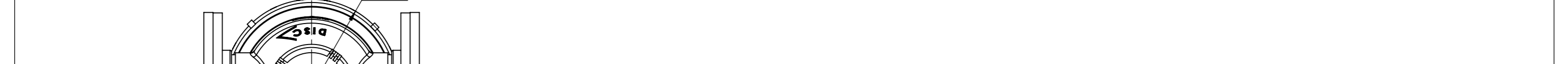
UNLESS OTHERWISE SPECIFIED: DIMENSIONS ARE IN MILLIMETERS			PART NAME/TITLE: 3" T BSPT BRUSHAWAY MOLDED SCREEN 200MIC FILTER		
	NAME	DATE	SUBJECT/PROJECT: 3" T BRUSHAWAY FILTERS		
	DRAWN	Arkadi	18.05.2017		
	APPROVED	Marina.K	18.05.2017		
Confidential property information. Amiad Water Systems Ltd. Reserves the rights to make changes. All copy rights reserved to Amiad Water Systems Ltd.			MATERIAL: VARIOUS		CAT. NO: 030005-000008
			WEIGHT: 4.80 KG		DRW. REV.: A
					DRW. NO: 030005-000008-GA
			SCALE: 1:10		SIZE: A3
					SHEET 1 OF 1

8	7	6	5	4	3	2	1
---	---	---	---	---	---	---	---

REV.	DATE	DESCRIPTION	ECO NO.	NAME			
------	------	-------------	---------	------	--	--	--

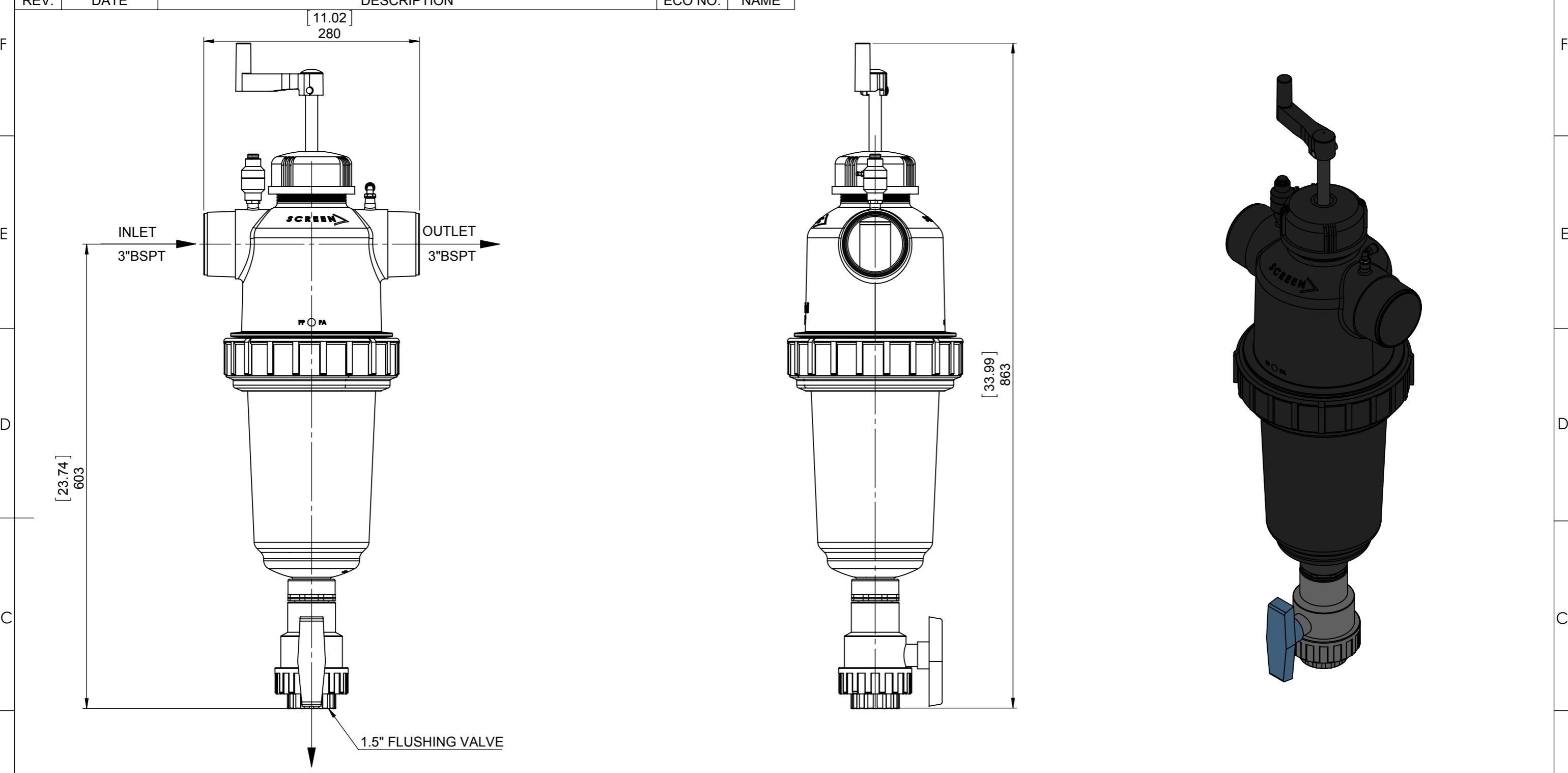


B							
---	--	--	--	--	--	--	--



A							
---	--	--	--	--	--	--	--

UNLESS OTHERWISE SPECIFIED: DIMENSIONS ARE IN MILLIMETERS			PART NAME/TITLE: 3" T ISO-16 SCANAWAY MOLDED SCREEN 130MIC FILTER			
DRAWN Arkadi 18.05.2017			SUBJECT/PROJECT: 3' T SCANAWAY FILTER			
APPROVED Marina.K 18.05.2017			MATERIAL: VARIOUS		CAT. NO: 030004-000045	DRW. REV.: A
Confidential property information. Amiad Water Systems Ltd. Reserves the rights to make changes. All copy rights reserved to Amiad Water Systems Ltd.			WEIGHT: 9.16 KG		DRW. NO: 030004-000045-GA	
					SCALE: 1:10	SIZE: A3



Click to Order Online semi-automatic plastic filters amiad

UNLESS OTHERWISE SPECIFIED: DIMENSIONS ARE IN MILLIMETERS			PART NAME/TITLE: 3" T BSPT SCANAWAY FILTER MOLDED SCREEN 130MIC		
DRAWN	Arkadi	18.05.2017	SUBJECT/PROJECT: 3" T SCANAWAY FILTER		
APPROVED	Marina.K	18.05.2017	MATERIAL: VARIOUS		CAT. NO: 030004-000018
Confidential property information. Amiad Water Systems Ltd. Reserves the rights to make changes. All copy rights reserved to Amiad Water Systems Ltd.			WEIGHT: 5.02 KG		DRW. REV.: A
					DRW. NO: 030004-000018-GA
			SCALE: 1:10	SIZE: A3	SHEET 1 OF 1