

AMIAD Water Systems

Spare parts Price List
Semi Automatic Filters
US \$ October 2014



Valid Oct - 2014

Spare parts ordering semi-automatic filters amiad scanaway & brushaway

AMIAD Water Systems

Spare Parts Price List

Semi Automatic Filters

Disclaimer:

This document and the information enclosed within it contain restricted and/or privileged information that are intended only for usage by authorized Amiad technicians. If you are not a qualified Amiad technician you must not take any action in reliance to this document, unless permitted by Amiad. None of the procedures provided on this file may be used in any form or by any means without permission from Amiad. If you received this file in error please notify Amiad immediately. The confidential nature of and/or privilege in the file enclosed is not waived or lost as a result of a mistake or error in this file.

Amiad accepts no liability whatsoever, whether it was caused by:

1. Accessing or other related actions to this file.
2. Any links, procedures or materials provided/attached to this file.

Amiad assumes that all users understand risks involved within this file and/or its attached materials.

All the procedures, drawings, pictures and/or any other information provided in this document are presented as general information only; they can be altered, removed or changed without any further notice by Amiad.

This document does not replace any certified drawing, procedure or information provided by Amiad in reference to a specific customer, site or project.

All rights reserved.

TABLE OF CONTENTS

Semi Auto 2" T & 3" T Plastic scanaway	4-5
Semi Auto 2" T & 3" T Plastic Brushaway	6-7
Semi Auto 3" Metal Filter Scanaway	8-9
Semi Auto 3" Metal Filter Brushaway	10-11
Semi Auto 4" S & 6" C Metal Filter Scanaway	12-14
Semi Auto 4" S & 6" C Metal Filter Brushaway	15-16
Semi Auto 6" S & 8" Inline Metal Filter Scanaway	17-19
Semi Auto 6" S & 8" Inline Metal Filter Brushaway	20-21
Semi Auto 6" S & 8" Modular Metal Filter Scanaway	22-24
Semi Auto 6" S & 8" Modular Filter Brushaway	25-26



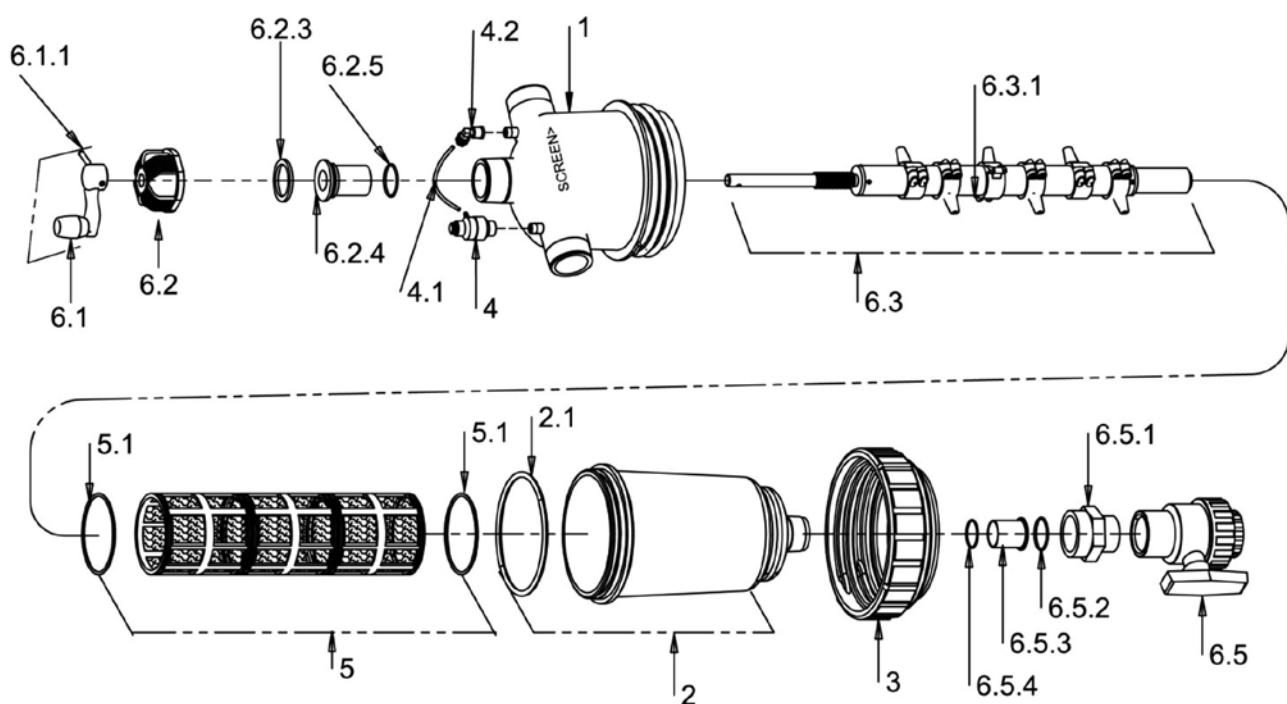
Semi Auto 2”T & 3”T Plastic Scanaway

NO.	DESCRIPTION	SAP. CAT.NO.	USD \$
1	Housing (2” T, 2” T-S)	710103-004372	70.26
1	Housing-TH (3” TL)	710103-004385	85.88
2	Lid (2” T)	710103-000545	51.56
2	Lid (2” T-S, 3” T)	710103-000562	57.49
2.1	O-Ring P2-437	770102-000169	2.34
3	Tightening Nut (T filters)	710103-000544	41.14
4	Clogging Indicator Housing	700190-001245	43.65
4.1	Pilot Tube 6mm	720501-000196	2.57
4.2	L-Connector (1/4” x 6mm)	720501-000242	2.50
5	Moulded Screen for 2” T 465 Sq.cm	700101-XXXXXX	117.66
5	Moulded Screen for 3” T 700 Sq.cm	700101-XXXXXX	168.54
5.1	O-Ring P2-242	770102-000130	0.56
6.1	Operating handle (2”-4”)	700190-001414	13.42
6.1.1	Pin-Plastic Handle	710101-000651	0.27
6.2	Cap Assembly 2” (Drilled)	700190-001393	32.12
6.2	Cap Assembly 3” (Drilled)	700190-001405	34.86
6.2.3	Cap Seal 2”	770103-000041	0.72
6.2.3	Cap Seal 3”	770103-000047	2.23
6.2.4	Suction Scanner Drive Bushing (2” T, 2” T-S)	710103-000692	42.21

(Continued)

Semi Auto 2" T & 3" T Plastic Scanaway (Continued)

NO.	DESCRIPTION	SAP. CAT.NO.	USD \$
6.2.4	Suction Scanner Drive Bushing (3" T)	710103-000710	88.96
6.2.5	O-Ring P2-129 [2" T & 2" T-S]	770102-000096	0.17
6.2.5	O-Ring P2-232 [3" T]	770102-000121	2.12
6.3	Suction Scanner (2" T-S, 3" T)	700190-001396	121.14
6.3	Suction Scanner (2" T)	700190-001395	106.18
6.3.1	Suction Scanner Nozzle (Scanaway, TAF)	710101-000751	1.07
6.5	Ball Valve 1 1/2" (PVC)	730104-000253	56.43
6.5.1	Connector 1 1/2" F x 1 1/2" M	780101-000955	3.29
6.5.2	O-Ring P2-129	770102-000096	0.17
6.5.3	External Lower Bearing- Suction Scanner	710103-000704	14.42
6.5.4	O-Ring P2-028	770102-000069	0.12





Semi Auto 2" T & 3" T Plastic Brushaway

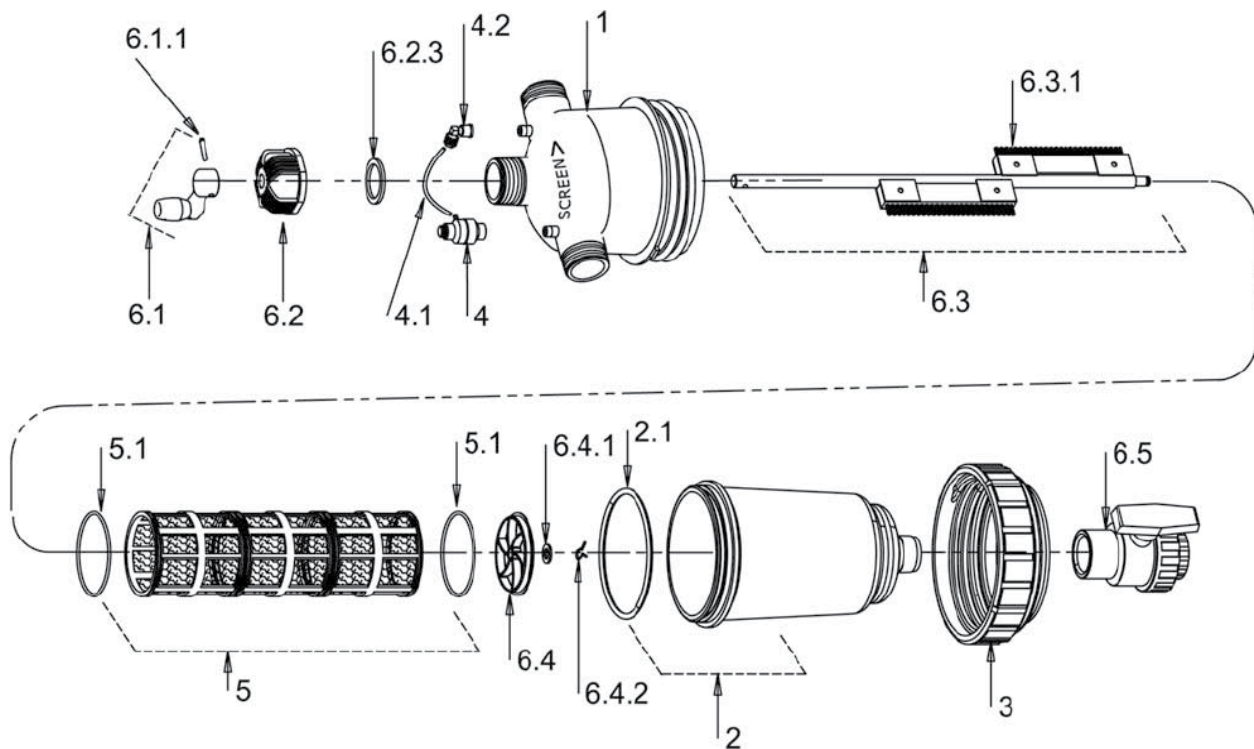
NO.	DESCRIPTION	SAP. CAT.NO.	USD \$
1	Housing (2" T, 2" T-S)	710103-004372	70.26
1	Housing-TH (3" TL)	710103-004385	85.88
2	Lid (2" T)	710103-000545	51.56
2	Lid (2" T-S, 3" T)	710103-000562	57.49
2.1	O-Ring (P2-437)	770102-000169	2.34
3	Tightening Nut (T filters)	710103-000544	41.14
4	Clogging Indicator	700190-001245	43.65
4.1	Pilot Tube 6mm	720502-000019	0.39
4.2	L-Connector (1/4 x 6mm)	720501-000242	2.50
5	Moulded Screen for 2" T 465 Sq.cm	700101-xxxxxx	117.66
5	Moulded Screen for 3" T 700 Sq.cm	700101-xxxxxx	168.54
5.1	O-Ring (P2-242)	770102-000130	0.56
6.1	Operating Handle (2" - 4")	700190-001414	13.42
6.1.1	Pin – Plastic Handle	710101-000651	0.27
6.2	Cap Assembly 2" (Drilled)	700190-001393	32.12
6.2	Cap Assembly 3" (Drilled)	700190-001405	34.86
6.2.3	Cap Seal 2"	770103-000041	0.72
6.2.3	Cap Seal 3"	770103-000047	2.23
6.3	Brush Assembly (2")	700190-001244	218.57

(Continued)



Semi Auto 2”T & 3”T Plastic Brushaway (Continued)

NO.	DESCRIPTION	SAP. CAT.NO.	USD \$
6.3	Brush Assembly (2” T-S, 3” T)	700190-001404	218.57
6.3.1	Brush Unit (242mm)	710103-000685	89.75
6.3.1	Brush Unit (186mm) [x2]	710103-000707	84.14
6.4	Brush Shaft Centring Disc	710101-000657	1.34
6.4.1	Washer M12 (St.st.)	760103-000098	0.28
6.4.2	Axis Locking Spring	760107-000053	11.41
6.5	Ball valve 1½” (PVC)	730104-000253	56.43





Semi Auto 3" Metal Filter Scanaway

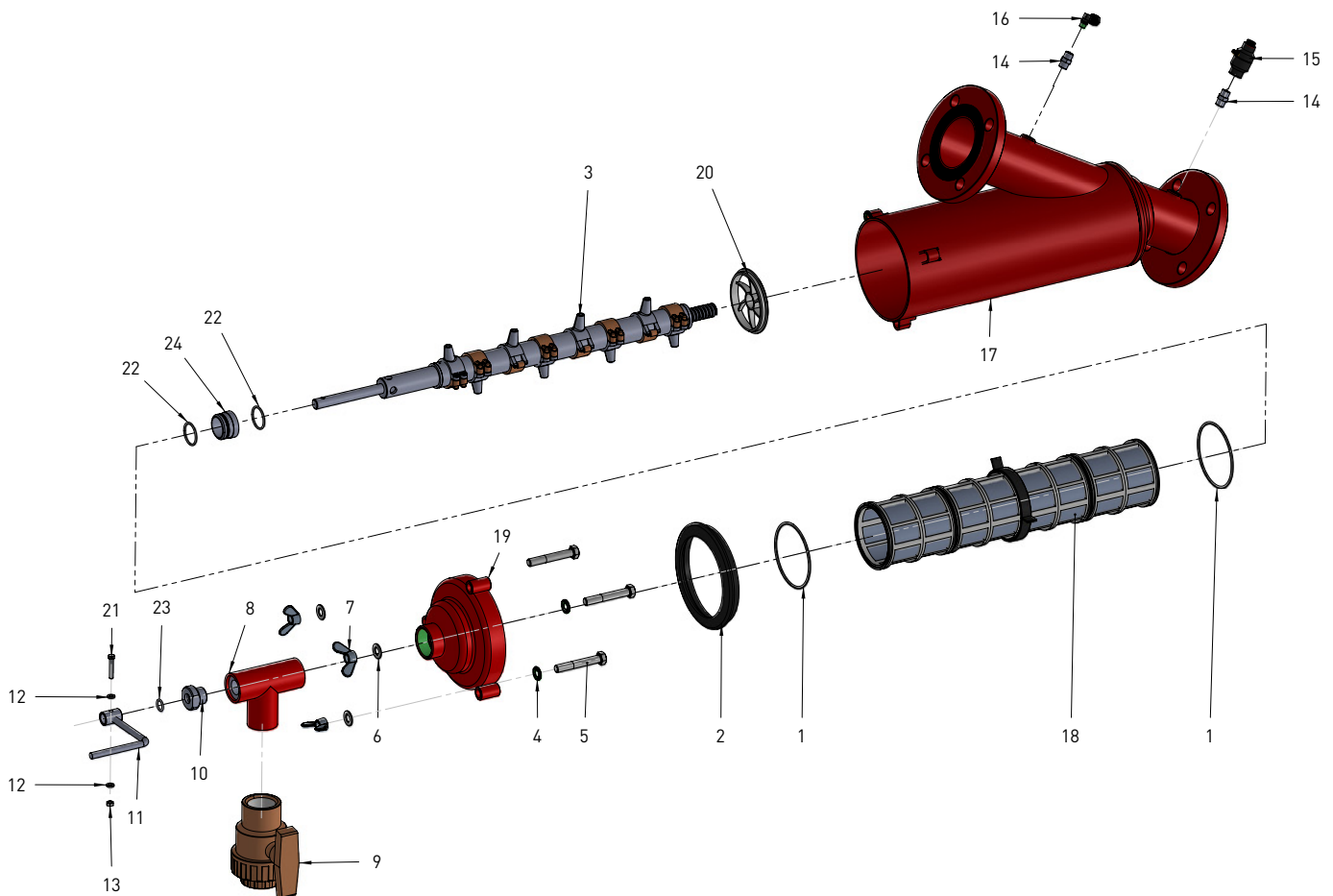
NO.	DESCRIPTION	SAP. CAT.NO.	USD \$
1	O-Ring Seal P2-242 (2"/3" Screen) NBR "S"	770102-000130	0.56
2	Service Port Lid Seal AM-12 (SAF-4500)	770104-000083	8.29
3	Suction Scanner (3", 4" L)	710103-000722	252.03
4	Hold Plastic Washer	710101-000632	0.14
5	Hex Bolt Partial Thr M12 x 80 Z.PLT C/ST	760101-000322	0.78
6	Flat Washer M12 DIN125 Zinc Plated C/ST	760103-000077	0.05
7	Wing Nut M12 Brass B18.17	760102-000113	7.62
8	Tee 1.5" BSPT Red for B/A & S/A	710102-000086	146.20
9	Ball Valve 1 1/2", PVC, Threaded	730104-000253	56.43
10	Bearing Nut B/A, S/A Shaft	710103-000703	13.36
11	Operating Handle (2"-4")	710102-000057	38.53
12	Flat Washer M6 DIN 125 S/St 316	760103-000094	0.05
13	Hex Nut M6 S/St 316 Din 934	760102-000085	0.12
14	Press Ch Point Connector 1/4" x 1/4" Brass	710103-000591	3.23
15	Clogging Indicator Assy	700190-001304	52.42
16	Pressure Check Point Plastic w/o Nipple	700190-001305	3.07
17	Housing 3" BSTD/ASA Poly PKPK-3002	710105-000112	1,184.35
18	Weavewire St 316 930 Sq.cm SC130mic F/3" MT	700101-000449	250.16
19	Lid 2"-4" (Dom) Shape Seal Poly PKPK-3002	710105-000057	365.02

(Continued)



Semi Auto 3" Metal Filter Scanaway (Continued)

NO.	DESCRIPTION	SAP. CAT.NO.	USD \$
20	Centering Ring for Suction Scanner	710101-000656	1.94
21	Hex Bolt Full TH M 6x 35 S/St 304 Din 933	760101-000447	0.39
22	O-Ring Seal P2-125 Scanner Bearing NBR "S"	770102-000092	4.79
23	O-Ring Seal P2-114 NBR "S"	770102-000083	0.12
24	Sealing Insert for Suction Scanner 2"-4"	710103-000717	15.14



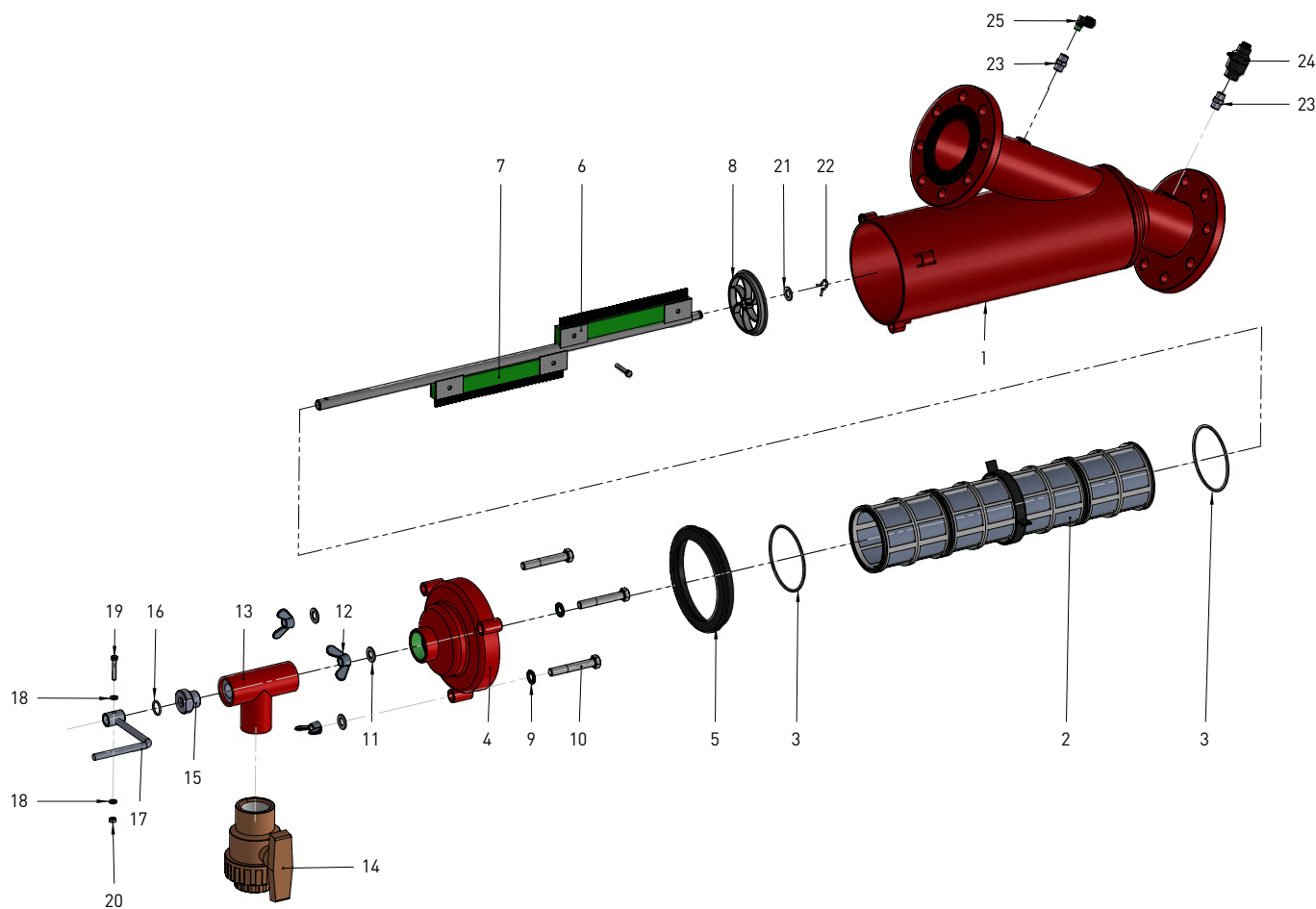
Semi Auto 3" Metal Filter Brushaway

NO.	DESCRIPTION	SAP. CAT.NO.	USD \$
1	Filter Housing 3" Epoxy PKPK-3002	710105-000115	1,028.41
2	Moulded screen	700101-XXXXXX	250.16
3	O-Ring Seal P2-242	770102-000130	0.56
4	Lid 2"-4" (Dom) Share Seal PKPK-3002	710105-000057	365.02
5	Service Port Lid Seal AM-12	770104-000083	8.29
6	Spindle & Frame 4" L	710102-000213	224.11
7	Plastic Brush Unit (242mm) 2" T/8 B/A	710103-000685	89.75
8	Centring Ring for Brush Shaft	710101-000657	1.34
9	Hold Plastic Washer	710101-000632	0.14
10	Hexagonal Bolt M12 x 80 Partial Thread	760101-000322	0.78
11	Flat Washer M12 Din 125	760103-000077	0.05
12	Wing Nut M12 B18.17	760102-000113	7.62
13	Tee 1.5" BSPT Red for B/A & S/A	710102-000086	146.20
14	Ball Valve 1 1/2" Threaded	730104-000253	56.43
15	Bearing Nut B/A, S/A Shaft	710103-000703	13.36
16	O-Ring Seal P2-116 Bearing Nut	770102-000085	0.34
17	Operating Handle (2"-4")	710102-000057	38.53
18	Flat Washer M6 DIN125	760103-000094	0.05
19	Hexagonal Bolt Full Thread M6 x 35 DIN933	760101-000445	0.34

(Continued)

Semi Auto 3" Metal Filter Brushway (Continued)

NO.	DESCRIPTION	SAP. CAT.NO.	USD \$
20	Hexagonal Nut M6 Din 934	760102-000085	0.12
21	Flat Washer M12 Din 125	760103-000098	0.28
22	Axis Locking Spring	760107-000053	11.41
23	Pressure Point Connector 1/4" x 1/4" BSP	710103-000591	3.23
24	Clogging Indicator Assembly	700190-001304	52.42
25	Pressure Check Point	700190-001305	3.07





Semi Auto 4" S & 6" C metal Filter Scanaway

NO.	DESCRIPTION	SAP. CAT.NO.	USD \$
1	Housing 4" S In-Line	710105-000155	2,083.27
1	Housing 6" C In-Line	710105-000195	2,378.84
2	Lid	710103-000780	314.74
2.1	Hydraulic Seal AM-07	770104-000089	19.04
3	Bolt 3/4" x 130 (x 4)	760101-000297	4.40
3.1	Washer 3/4" (x 4)	760103-000070	0.17
3.2	Wing Nut 3/4" (x 4)	760102-000076	2.95
4	Clogging Indicator Assembly	700190-001304	52.42
4.1	Clogging Indicator	700190-001245	43.65
4.2	6mm Pipe	720502-000019	0.39
4.3	Connector 1/4" x 1/4" (Brass) (x 2)	710103-000591	3.23
4.4	L-Connector 1/4" x 6mm	720501-000242	2.50
5	Moulded screen	700101-XXXXXX	297.86
5.1	Hydraulic Seal AM-05 (x 2)	770104-000080	9.69
6.1	Operating Handle (2" -4")	710102-000057	38.53
6.1.1	Bolt M6 x 35 (St.St.)	760101-000447	0.39
6.1.2	Washer M6 (St.St.) (x 2)	760103-000094	0.05
6.1.3	Nut M6 (St.St.)	760102-000085	0.12
6.2	2" T - 2" x 2" (BSPT)	710105-000304	247.75

(Continued)

Semi Auto 4" S & 6" C Metal Filter Scanaway (Continued)

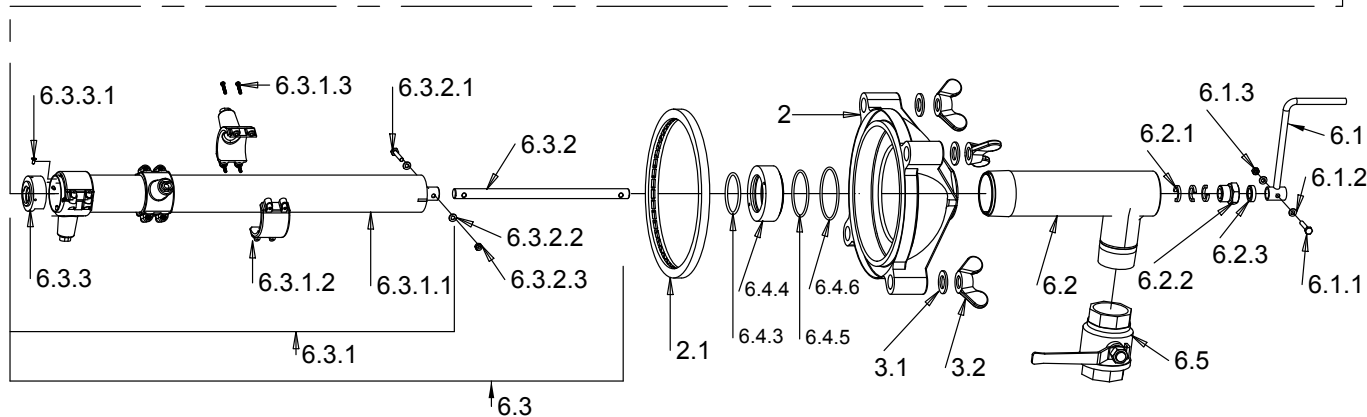
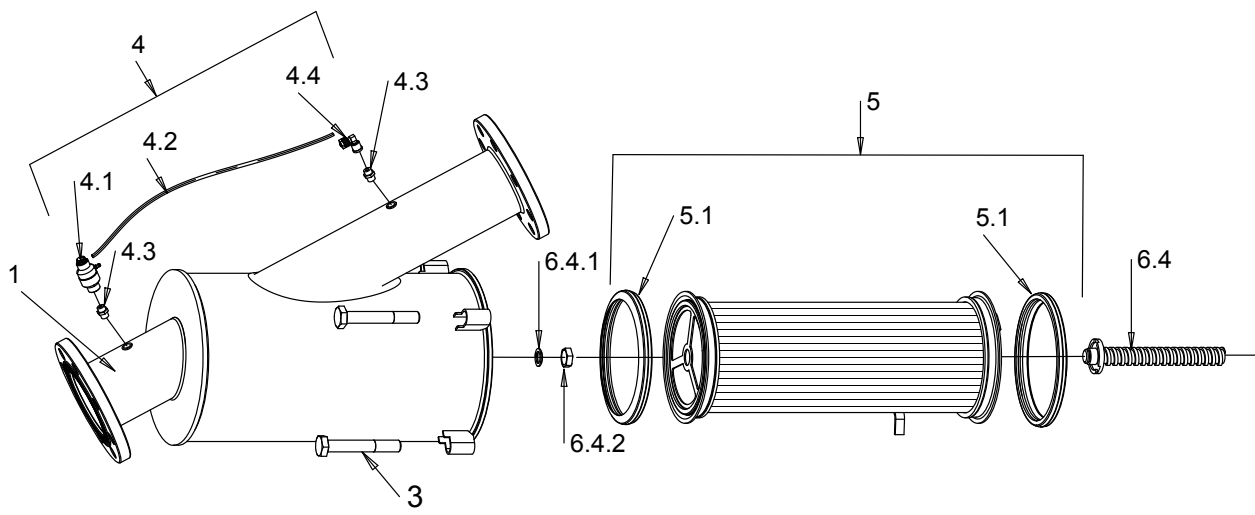
NO.	DESCRIPTION	SAP. CAT.NO.	USD \$
6.2	2" T - 2" x 2" (NPT)	710105-000305	276.81
6.2.1	Sealing Rope	700190-001363	157.34
6.2.2	Tightening Nut (4" S-14")	710103-000740	26.93
6.2.3	Plastic Bushing (4" S-14")	710103-000739	3.61
6.3	Suction Scanner Assembly	700190-001442	505.06
6.3.1	Suction Scanner 4" S/6C	710102-000134	350.19
6.3.1.1	Suction Scanner Pipe	710103-000746	170.29
6.3.1.2	Suction Nozzle Unit (x 3)	710101-000922	2.94
6.3.1.3	Bolt M4 x 20 (St. St.) (x 12)	760101-000537	0.22
6.3.2	Scanner Shaft	710103-000770	66.72
6.3.2.1	Bolt M6 x 35 (St. St.)	760101-000447	0.39
6.3.2.2	Washer M6 (St. St.) (x 2)	760103-000094	0.05
6.3.2.3	Lock nut M6 (St. St.)	760102-000101	0.17
6.3.3	Plastic nut 4" -14" Scanaway	710103-000771	35.26
6.3.3.1	Bolt 3.5 x 9.5 (St.St.)	760101-000541	0.17
6.4	Drive Bolt, Scanaway 4" S-14"	710103-000776	113.47
6.4.1	Union Nut Clip	710101-000974	0.20
6.4.2	3/4" Nut	780101-000741	4.06
6.4.3	O-Ring 60 x 4	770101-000040	0.67

(Continued)



Semi Auto 4" S & 6" C Metal Filter Scanaway (Continued)

NO.	DESCRIPTION	SAP. CAT.NO.	USD \$
6.4.4	Scanner Bearing	710103-000778	39.52
6.4.5	O-Ring (P2-235)	770102-000124	1.34
6.4.6	O-Ring (P2-232)	770102-000121	2.12
6.5	2" Ball Valve	730104-000265	130.61



Semi Auto 4" S & 6" C Metal Filter Brushaway (Continued)

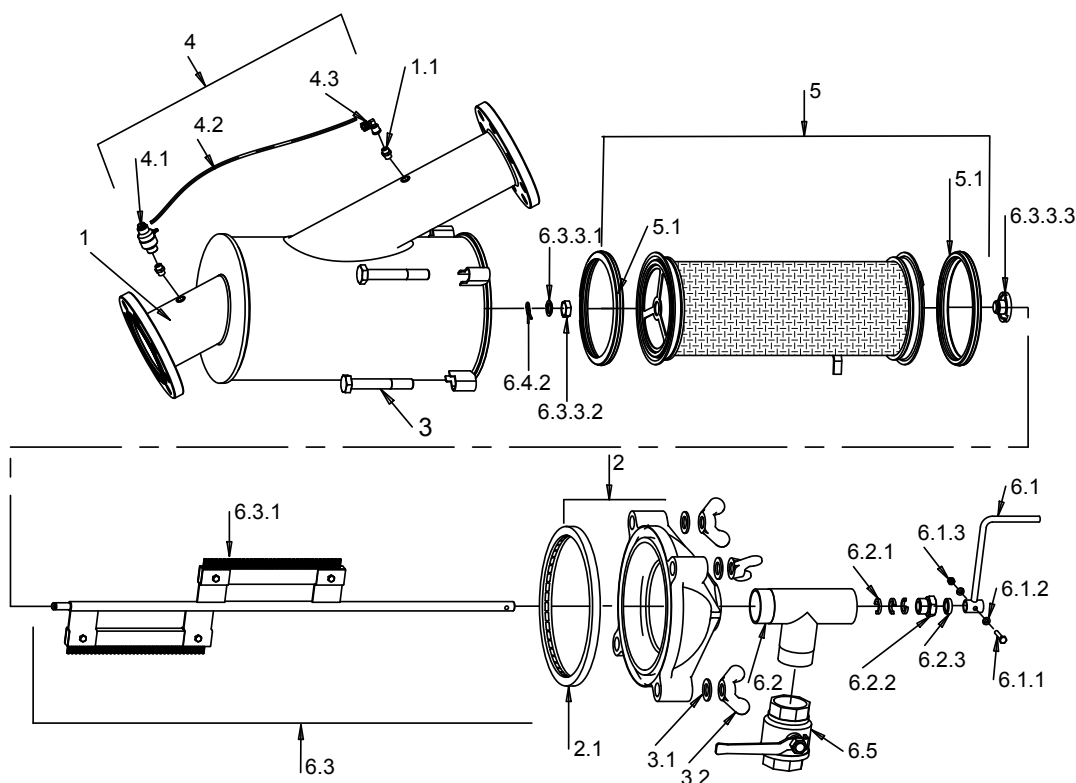
NO.	DESCRIPTION	SAP. CAT.NO.	USD \$
1	Housing 4" S In-Line	710105-000155	2,083.27
1	Housing 6" C In-Line	710105-000195	2,378.84
2	Lid (4" S-14")	710103-000780	314.74
2.1	Hydraulic Seal AM-07 (Polyester Lid)	770104-000089	19.04
3	Bolt 3/4" x 130	760101-000297	4.40
3.1	Washer 3/4"	760103-000070	0.17
3.2	Wing Nut 3/4"	760102-000076	2.95
4	Clogging Indicator Assembly	700190-001304	52.42
4.1	Clogging Indicator	700190-001245	43.65
4.2	Pilot Tube 6mm	720502-000019	0.39
4.3	L-Connector 1/4" x 6mm	720501-000242	2.50
4.4	Connector 1/4" x 1/4"	710103-000591	3.23
5	Moulded Screen	700101-XXXXXX	297.86
5.1	Hydraulic Seal AM-05 (x 2)	770104-000080	9.69
6.1	Operating Handle (4" S-14")	710102-000219	49.56
6.1.1	Bolt M6 x 35 (St.St.)	760101-000447	0.39
6.1.2	Washer M6 (St.St.)	760103-000094	0.05
6.1.3	Nut M6 (St.St.)	760102-000085	0.12
6.2	T-Connector 2" x 2" x 3/4"	710102-000130	198.17

(Continued)



Semi Auto 4" S & 6" C Metal Filter Brushway (Continued)

NO.	DESCRIPTION	SAP. CAT.NO.	USD \$
6.2.1	Sealing Rope Set 4mm	700190-001363	169.22
6.2.2	Tightening Nut (4" S-14" Brush/Scan)	710103-000740	26.93
6.2.3	Plastic Bushing (4" S-14")	710103-000739	3.61
6.3	Brush Assembly	710102-000217	224.00
6.3.1	Brush Unit 6"	710103-000749	84.01
6.3.3.1	Union Nut Clip	710101-000974	0.20
6.3.3.2	3/4" Nut	780101-000741	4.06
6.3.3.3	Drive Bushing	710103-000777	49.69
6.4.2	Axis Locking Spring	760107-000053	11.41
6.5	Ball Valve 2" F-F	730104-000265	130.61



Semi Auto 6" S & 8" Inline Metal Filter Scanaway

NO.	DESCRIPTION	SAP. CAT.NO.	USD \$
1	Housing 6" S In-Line	710105-000201	2,746.33
1	Housing 8" In-Line	710105-000257	3,543.81
2	Lid	710103-000780	314.74
2.1	Hydraulic Seal AM-07	770104-000089	19.04
3	Bolt 3/4" x 130 (x 4)	760101-000297	4.40
3.1	Washer 3/4" (x 4)	760103-000070	0.17
3.2	Wing Nut 3/4"(x 4)	760102-000076	2.95
4	Clogging Indicator Assembly	700190-001304	52.42
4.1	Clogging Indicator	700190-001245	43.65
4.2	6mm Pipe	720502-000019	0.39
4.3	Connector 1/4" x 1/4" (Brass) (x 2)	710103-000591	3.23
4.4	L-Connector 1/4" x 6mm	720501-000242	2.50
5	Moulded Screen	700101-XXXXXX	616.92
5.1	Hydraulic Seal AM-05 (x 2)	770104-000080	9.69
6.1	Operating Handle (2"-4")	710102-000057	38.53
6.1.1	Bolt M6 x 35 (St.St.)	760101-000447	0.39
6.1.2	Washer M6 (St.St.) (x 2)	760103-000094	0.05
6.1.3	Nut M6 (St.St.)	760102-000085	0.12
6.2	2" T - 2" x 2" (BSPT)	710105-000304	247.75

(Continued)

Semi Auto 6" S & 8" Inline Metal Filter Scanaway (Continued)

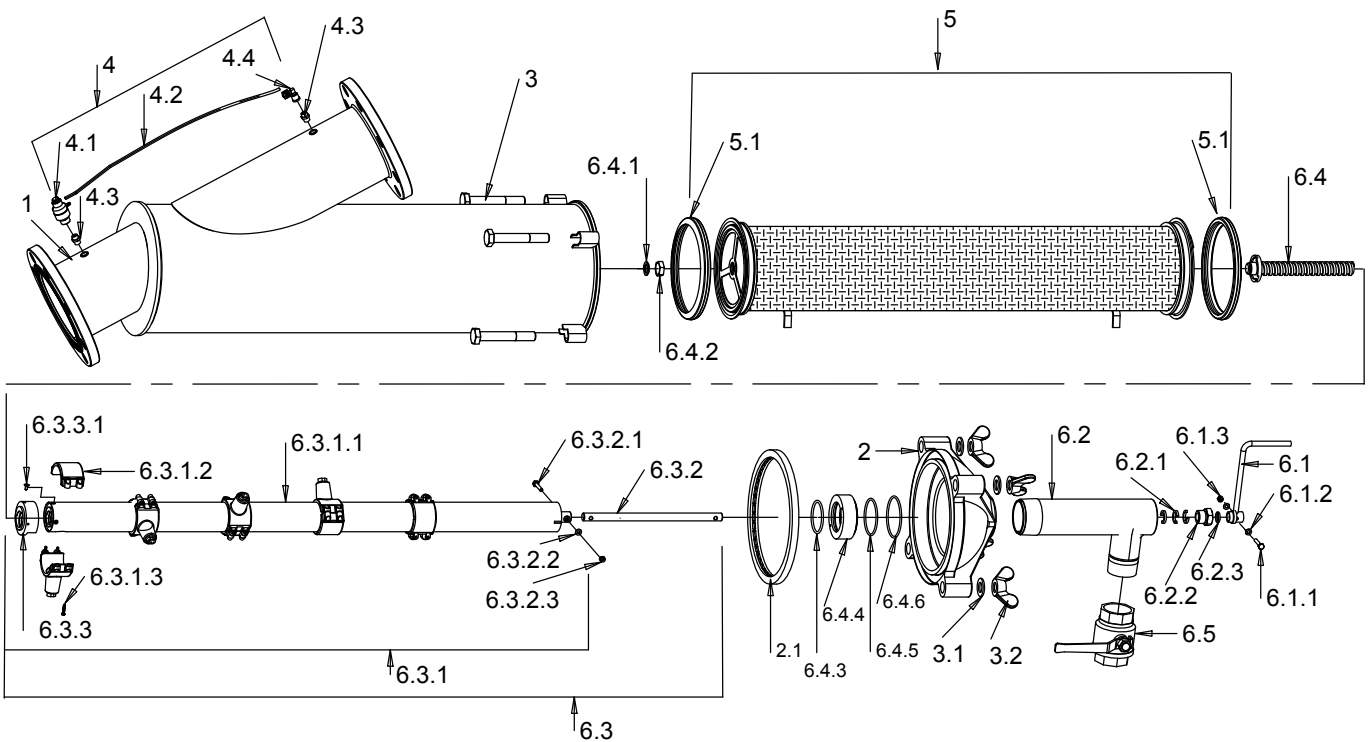
NO.	DESCRIPTION	SAP. CAT.NO.	USD \$
6.2	2" T - 2" x 2" (NPT)	710105-000305	276.81
6.2.1	Sealing Rope	770104-000110	12.30
6.2.2	Tightening Nut (4" S-14")	710103-000740	26.93
6.2.3	Plastic Bushing (4" S-14")	710103-000739	3.61
6.3	Suction Scanner Assembly	700190-001471	751.94
6.3.1	Suction Scanner 8"	710102-000176	425.34
6.3.1.1	Suction Scanner Pipe	710103-000773	237.41
6.3.1.2	Suction Nozzle Unit (x 5)	710101-000922	2.94
6.3.1.3	Bolt M4 x 20 (St. St.) (x 20)	760101-000537	0.22
6.3.2	Scanner Shaft	710103-000770	66.72
6.3.2.1	Bolt M6 x 35 (St. St.)	760101-000447	0.39
6.3.2.2	Washer M6 (St. St.) (x2)	760103-000094	0.05
6.3.2.3	Lock Nut M6 (St. St.)	760102-000101	0.17
6.3.3	Plastic Nut 4"-14" Scanaway	710103-000771	35.26
6.3.3.1	Bolt 3.5 x 9.5 (St.St.)	760101-000541	0.17
6.4	Drive Bolt, Scanaway 4" S-14"	710103-000776	113.47
6.4.1	Union Nut Clip	710101-000974	0.20
6.4.2	3/4" Nut	780101-000741	4.06
6.4.3	O-Ring 60 x 4	770101-000040	0.67

(Continued)



Semi Auto 6" S & 8" Inline Metal Filter Scanaway (Continued)

NO.	DESCRIPTION	SAP. CAT.NO.	USD \$
6.4.4	Scanner Bearing	710103-000778	39.52
6.4.5	O-Ring (P2-235)	770102-000124	1.34
6.4.6	O-Ring (P2-232)	770102-000121	2.12
6.5	2" Ball Valve	730104-000265	130.61



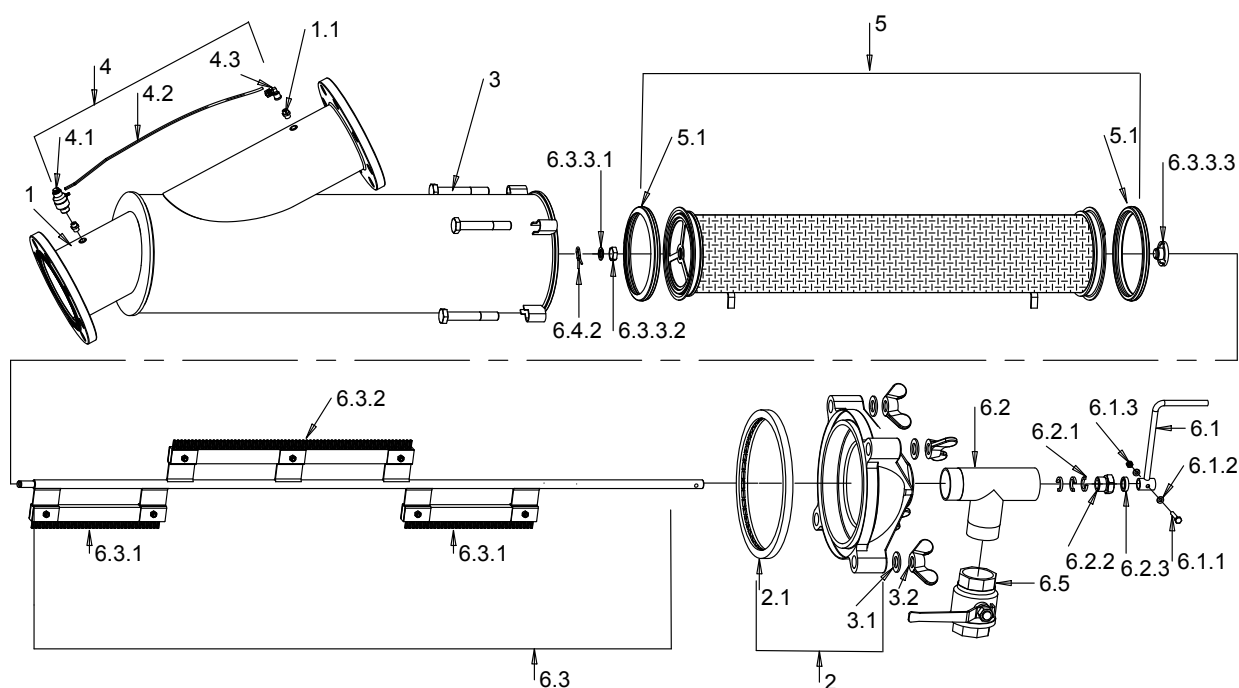
Semi Auto 6" S & 8" Inline Metal Filter Brushaway

NO.	DESCRIPTION	SAP. CAT.NO.	USD \$
1	Housing (6" S In-Line)	710105-000201	2,746.33
1	Housing (8" In-Line)	710105-000257	3,543.81
2	Lid (4" S-14")	710103-000780	314.74
2.1	Hydraulic Seal AM-07 (Polyester Lid)	770104-000089	19.04
3	Bolt 3/4" x 130	760101-000297	4.40
3.1	Washer 3/4"	760103-000070	0.17
3.2	Wing Nut 3/4"	760102-000076	2.95
4	Clogging Indicator Assembly	700190-001304	52.42
4.1	Clogging Indicator	700190-001245	43.65
4.2	Pilot Tube 6mm	720502-000019	0.39
4.3	L-Connector 1/4" x 6mm	720501-000242	2.50
4.4	Connector 1/4" x 1/4"	710103-000591	3.23
5	Moulded screen	700101-XXXXXX	616.92
5.1	Hydraulic Seal AM-05 (X2)	770104-000080	9.69
6.1	Operating Handle (4" S-14")	710102-000219	49.56
6.1.1	Bolt M6 x 35 (St.St.)	760101-000447	0.39
6.1.2	Washer M6 (St.St.)	760103-000094	0.05
6.1.3	Nut M6 (St.St.)	760102-000085	0.12
6.2	T-Connector 2" x 2" x 3/4"	710102-000130	198.17

(Continued)

Semi Auto 6" S & 8" Inline Metal Filter Brushaway (Continued)

NO.	DESCRIPTION	SAP. CAT.NO.	USD \$
6.2.1	Sealing Rope Set 4mm	700190-001363	169.22
6.2.2	Tightening Nut (4" S-14" Brush/Scan)	710103-000740	26.93
6.2.3	Plastic Bushing (4" S-14")	710103-000739	3.61
6.3	Brush Assembly	710102-000221	360.18
6.3.1	Brush Unit 6"	710103-000749	84.01
6.3.2	Brush Unit 8"	710103-000748	117.40
6.3.3.1	Union Nut Clip	710101-000974	0.20
6.3.3.2	3/4" Nut	780101-000741	4.06
6.3.3.3	Drive Bushing	710103-000777	49.69
6.4.2	Axis Locking Spring	760107-000053	11.41
6.5	Ball Valve 2" F-F	730104-000265	130.61



Semi Auto 6" S & 8" Modular Metal Filter Scanaway

NO.	DESCRIPTION	SAP. CAT.NO.	USD \$
1	Housing 6" S Modular	710105-XXXXXX	2,746.33
1	Housing 8" Modular	710105-000261	3,248.44
2	Lid	710103-000780	314.74
2.1	Hydraulic Seal AM-07	770104-000089	19.04
3	Bolt 3/4" x 130 (x 4)	760101-000297	4.40
3.1	Washer 3/4" (x 4)	760103-000070	0.17
3.2	Wing Nut 3/4"(x 4)	760102-000076	2.95
4	Clogging Indicator Assembly	700190-001304	52.42
4.1	Clogging Indicator	700190-001245	43.65
4.2	6mm Pipe	720502-000019	0.39
4.3	Connector 1/4" x 1/4" (Brass) (x 2)	710103-000591	3.23
4.4	L-Connector 1/4" x 6mm	720501-000242	2.50
5	Moulded Screen	700101-XXXXXX	1,014.42
5.1	Hydraulic Seal AM-05 (x 2)	770104-000080	9.69
6.1	Operating Handle (2"-4")	710102-000057	38.53
6.1.1	Bolt M6 x 35 (St.St.)	760101-000447	0.39
6.1.2	Washer M6 (St.St.) (x 2)	760103-000094	0.05
6.1.3	Nut M6 (St.St.)	760102-000085	0.12
6.2	2" T - 2" x 2" (BSPT)	710105-000304	247.75

(Continued)

Semi Auto 6" S & 8" Modular Metal Filter Scanaway (Continued)

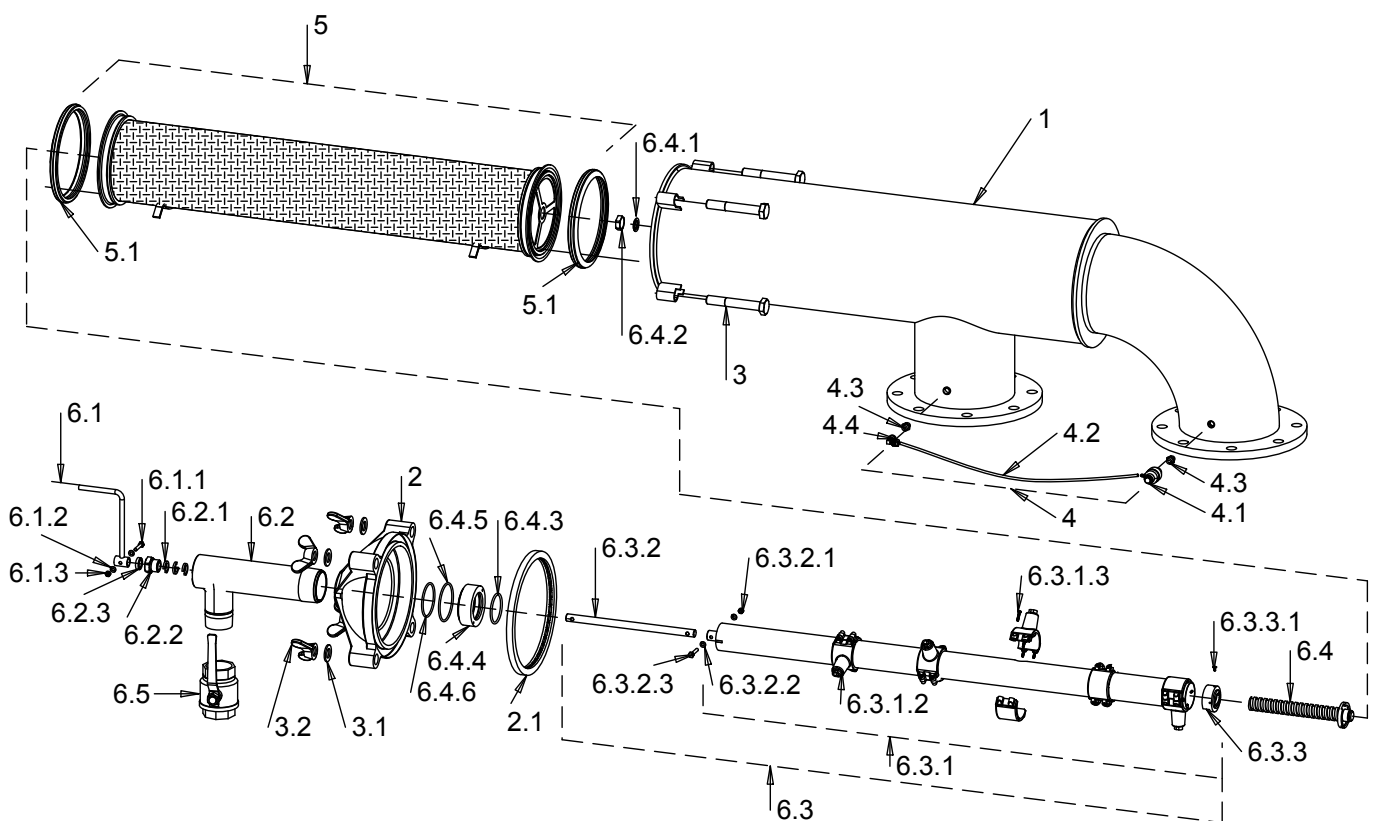
NO.	DESCRIPTION	SAP. CAT.NO.	USD \$
6.2	2" T - 2" x 2" (NPT)	710105-000305	276.81
6.2.1	Sealing Rope	770104-000110	12.30
6.2.2	Tightening Nut (4" S-14")	710103-000740	26.93
6.2.3	Plastic Bushing (4" S-14")	710103-000739	3.61
6.3	Suction Scanner Assembly	700190-001471	751.94
6.3.1	Suction Scanner 8"	710102-000176	425.34
6.3.1.1	Suction Scanner Pipe	710103-000773	237.41
6.3.1.2	Suction Nozzle Unit (x 5)	710101-000922	2.94
6.3.1.3	Bolt M4 x 20 (St. St.) (x 20)	760101-000537	0.22
6.3.2	Scanner Shaft	710103-000770	66.72
6.3.2.1	Bolt M6 x 35 (St. St.)	760101-000447	0.39
6.3.2.2	Washer M6 (St. St.) (x 2)	760103-000094	0.05
6.3.2.3	Lock Nut M6 (St. St.)	760102-000101	0.17
6.3.3	Plastic Nut 4"-14" Scanaway	710103-000771	35.26
6.3.3.1	Bolt 3.5 x 9.5 (St.St.)	760101-000541	0.17
6.4	Drive Bolt, Scanaway 4" S-14"	710103-000776	113.47
6.4.1	Union Nut Clip	710101-000974	0.20
6.4.2	3/4" Nut	780101-000741	4.06
6.4.3	O-Ring 60 x 4	770101-000040	0.67

(Continued)



Semi Auto 6" S & 8" Modular Metal Filter Scanaway (Continued)

NO.	DESCRIPTION	SAP. CAT.NO.	USD \$
6.4.4	Scanner Bearing	710103-000778	39.52
6.4.5	O-Ring (P2-235)	770102-000124	1.34
6.4.6	O-Ring (P2-232)	770102-000121	2.12
6.5	2" Ball Valve	730104-000265	130.61





Semi Auto 6" S & 8" Modular Filter Brushaway

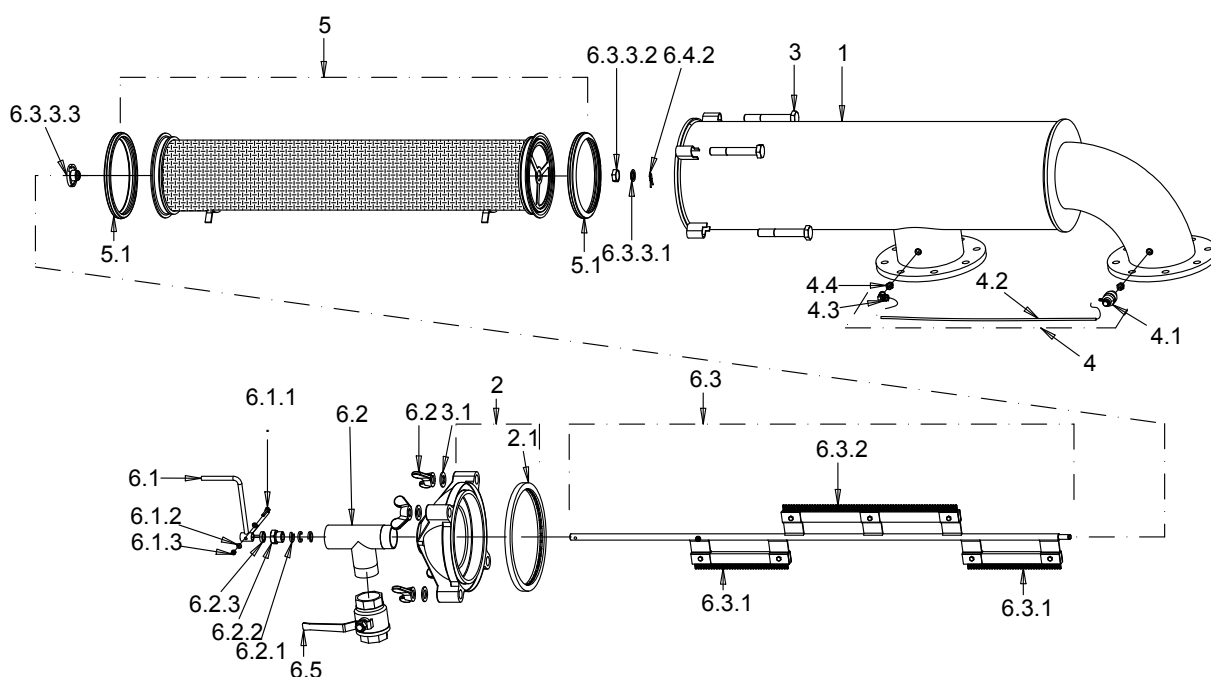
NO.	DESCRIPTION	SAP. CAT.NO.	USD \$
1	Housing (6" S Modular)	710105-XXXXXX	2,746.33
1	Housing (8" Modular)	710105-000261	3,248.44
2	Lid (4" S-14")	710103-000780	314.74
2.1	Hydraulic Seal AM-07 (Polyester Lid)	770104-000089	19.04
3	Bolt 3/4" x 130	760101-000297	4.40
3.1	Washer 3/4"	760103-000070	0.17
3.2	Wing Nut 3/4"	760102-000076	2.95
4	Clogging Indicator Assembly	700190-001304	52.42
4.1	Clogging Indicator	700190-001245	43.65
4.2	Pilot Tube 6mm	720502-000019	0.39
4.3	L-Connector 1/4" x 6mm	720501-000242	2.50
4.4	Connector 1/4" x 1/4"	710103-000591	3.23
5	Moulded screen	700101-XXXXXX	1,014.42
5.1	Hydraulic Seal AM-05 (x 2)	770104-000080	9.69
6.1	Operating Handle (4" S-14")	710102-000219	49.56
6.1.1	Bolt M6 x 35 (St.St.)	760101-000447	0.39
6.1.2	Washer M6 (St.St.)	760103-000094	0.05
6.1.3	Nut M6 (St.St.)	760102-000085	0.12
6.2	T-Connector 2" x 2" x 3/4"	710102-000130	198.17

(Continued)



Semi Auto 6" S & 8" Modular Filter Brushaway (Continued)

NO.	DESCRIPTION	SAP. CAT.NO.	USD \$
6.2.1	Sealing Rope Set 4mm	700190-001363	169.22
6.2.2	Tightening Nut (4" S-14" Brush/Scan)	710103-000740	26.93
6.2.3	Plastic Bushing (4" S-14")	710103-000739	3.61
6.3	Brush Assembly	710102-000221	360.18
6.3.1	Brush Unit 6"	710103-000749	84.01
6.3.2	Brush Unit 8"	710103-000748	117.40
6.3.3.1	Union nut clip	710101-000974	0.20
6.3.3.2	3/4" Nut	780101-000741	4.06
6.3.3.3	Drive Bushing	710103-000777	49.69
6.4.2	Axis Locking Spring	760107-000053	11.41
6.5	Ball Valve 2" F-F	730104-000265	130.61



Semi-automatic filters amiad scanaway & brushaway, Spare parts price list ordering