

**Amiad Water Systems Ltd.**

# Upgrade Kit Filtomat M100 - Bell type

**700190-005841**

Models: M102C, M103C, M103CL, M104C, M104CL

**Hydraulic controller to Electronic controller ADI-P**



**Online orders 700190-005841 ADI-P Controller M100 Bell type Upgrade Kit**  
[www.irrigationglobal.com](http://www.irrigationglobal.com)

## Introduction

This document describes the required steps to upgrade your Filtomat M100 (Bell type) hydraulic control filter to a **Filtomat M100 electronic control (ADI-P controller)** filter, using the Upgrade Kit provided by Amiad.

The Upgrade Kit includes the following parts:

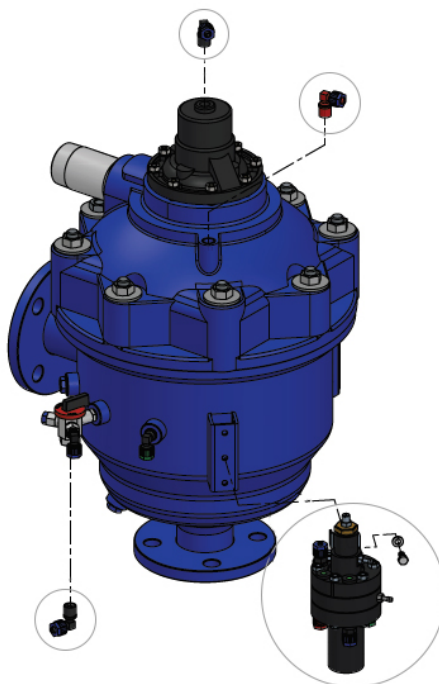
- ADI-P controller assembly
- Plugs / Connectors
- Bolts and nuts
- Control tubes



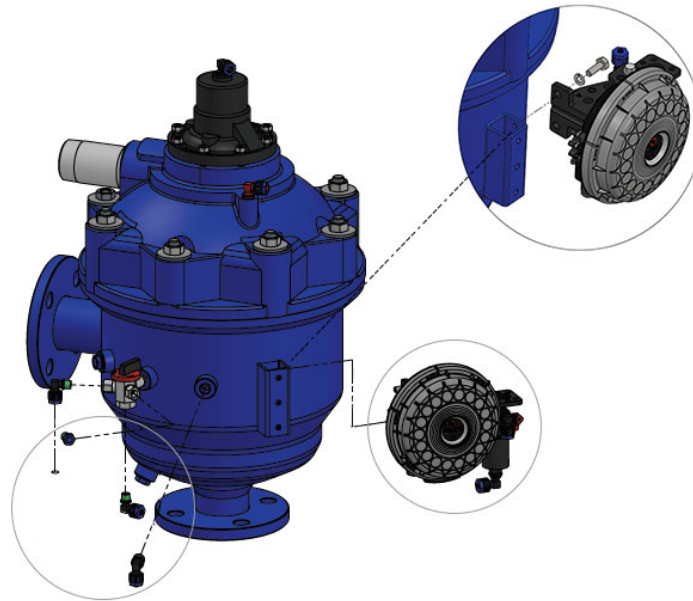
## Upgrade procedure

To upgrade your Filtomat M102-M104 hydraulic control filter to a Filtomat M102-M104 electronic control (ADI-P controller), please follow below images:

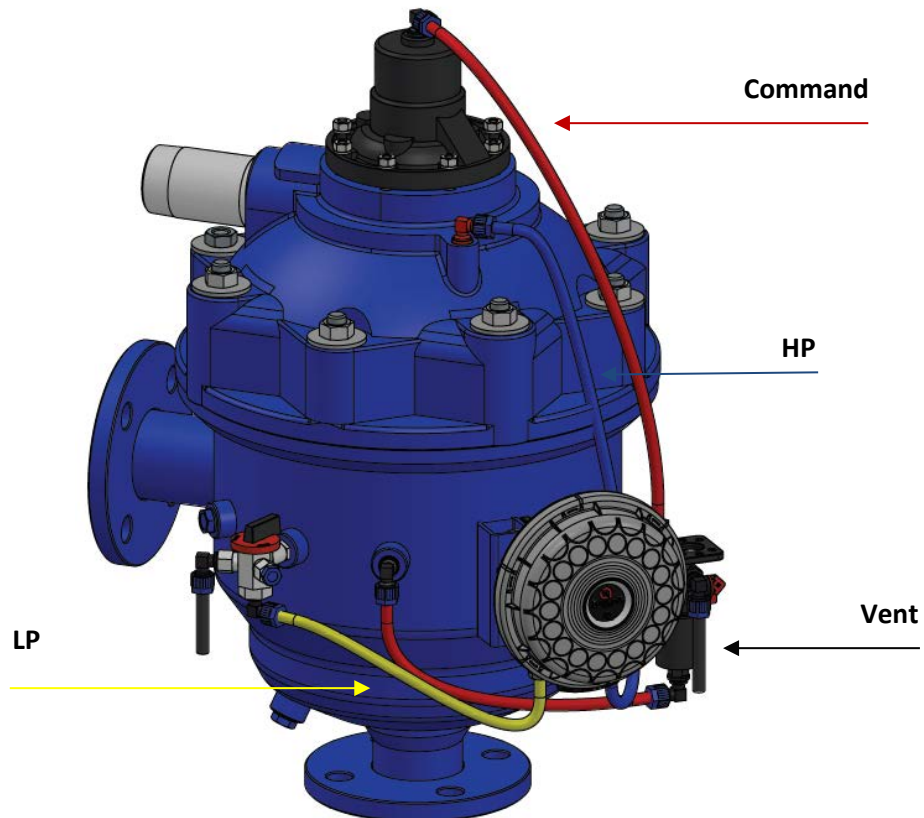
### 1. Disassemble



## 2. Assemble



## 3. Control Schematic - Electronic Model



## Disclaimer

Copyright © 2019 Amiad Water Systems Ltd. All rights reserved.

The contents of this document, including without limitation all information and materials, images, illustrations, data, drawings, names and any other such materials that appear in this document are the sole property of Amiad Water Systems Ltd. ("Amiad"), including any intellectual property rights, whether registered or not, and all know-how contained or embodied therein (together the "Content"). Amiad may alter, remove or change the Content without any further notice. You may not reproduce, copy, modify, create derivative works from, sell or participate in any sale of, or exploit in any way, in whole or in part, any of this document or its Content.

The confidential nature of and/or privilege in the file enclosed is not waived or lost as a result of a mistake or error in this file. If you received this file in error, please notify Amiad immediately. \_\_\_\_\_

This document does not replace any certified drawing, procedure or information provided by Amiad in reference to a specific customer, site or project.

Amiad assumes that all users understand risks involved within this file and/or its attached materials. This document is given in good faith and is not intended to impose any obligation to Amiad. While every effort has been made to ensure the information in this manual is accurate and complete, we would appreciate if you can bring any errors or omissions to the knowledge of Amiad or consult Amiad experts or its authorized representatives if you have any questions and further information contact:

[www.Irrigationglobal.com](http://www.Irrigationglobal.com)

Email: [Service@irrigationglobal.com](mailto:Service@irrigationglobal.com)