

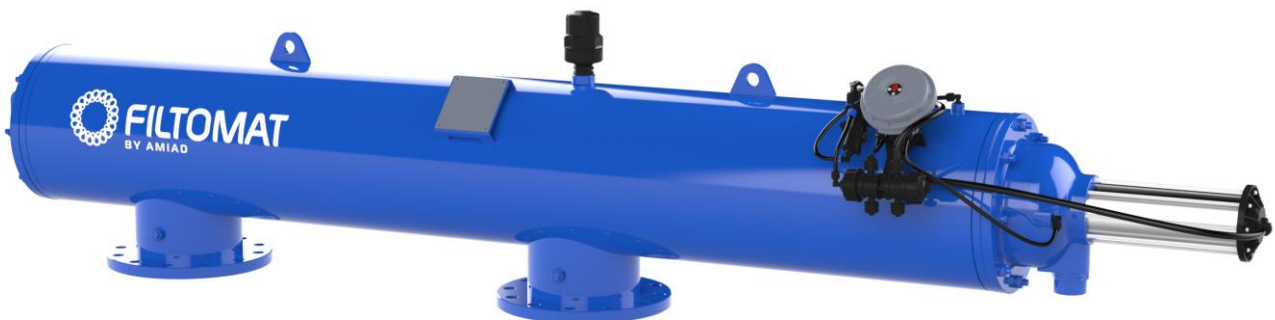
**Amiad Water Systems Ltd.**

# **Upgrade Kit Filtomat M100 - Piston Type**

**700190-005842**

Models: M104LPN, M106LP, M104XLP, M106XLP, M108LP, M110P

**Upgrading to Electronic Controller ADI-P**

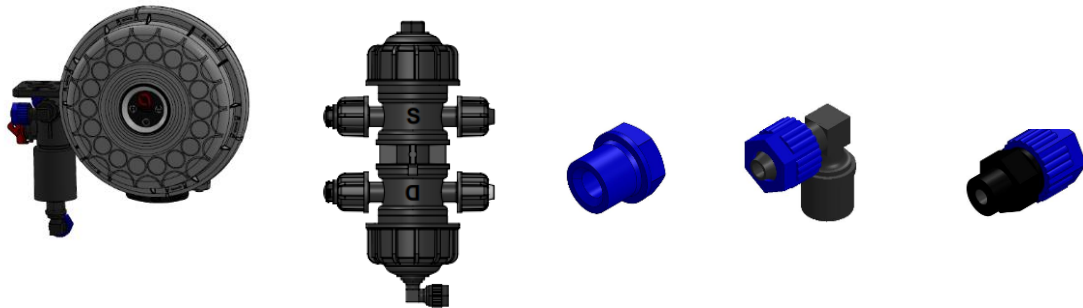


## Introduction

This document describes the required steps to upgrade your Filtomat M100 (piston type) hydraulic control filter to a **Filtomat M100 electronic control (ADI-P controller)** filter, using the Upgrade Kit provided by Amiad.

The Upgrade Kit includes the following parts:

- ADI-P controller assembly
- Amiad accelerator
- Plugs / Connectors
- Bolts and nuts
- Control tubes



### **NOTE:**

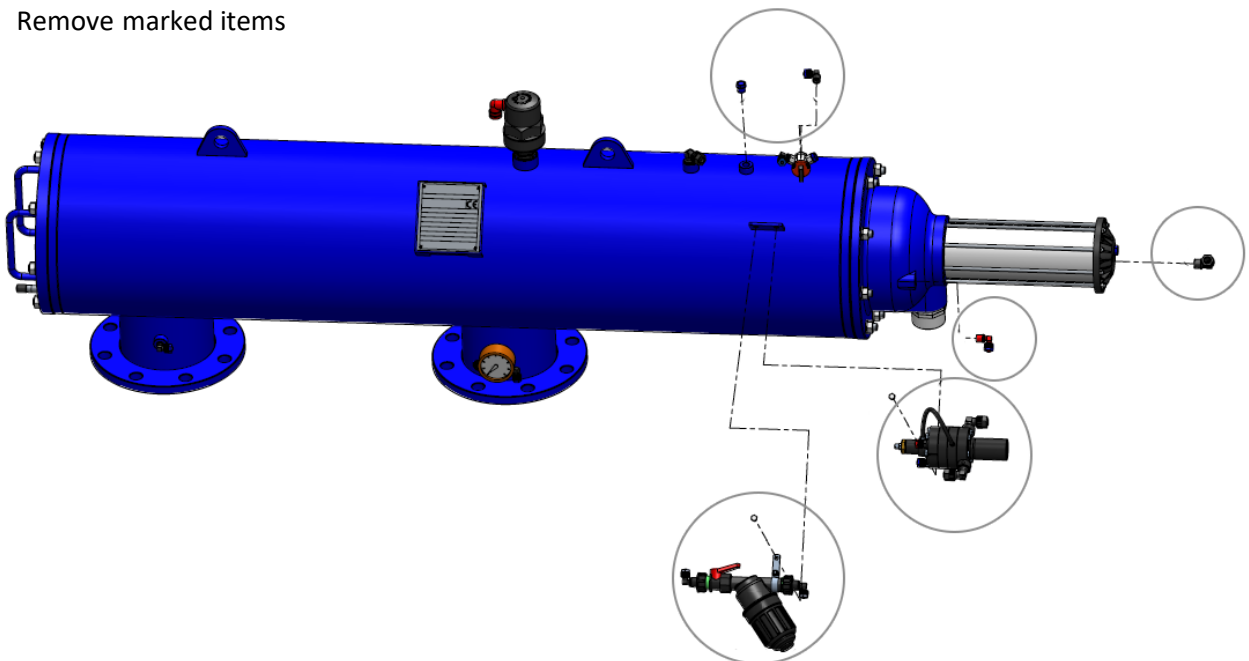
Before performing any maintenance work, make sure all water and air connections are disconnected and that the pressure has been released.

## Upgrade procedure

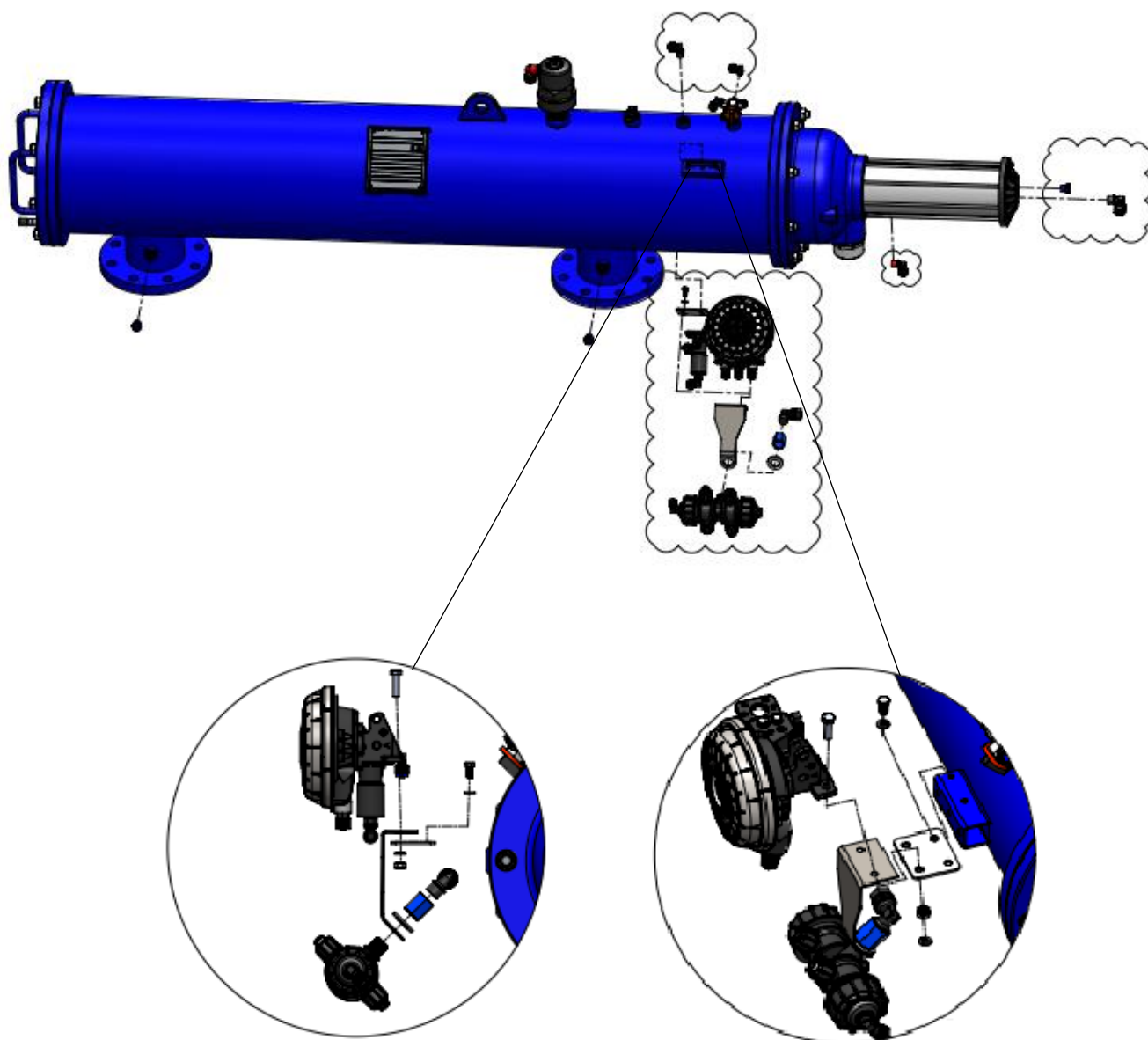
To upgrade your Filtomat M100 (piston type) hydraulic control filter to a Filtomat M100 electronic control (ADI-P controller), please follow below images:

### 1. Disassemble

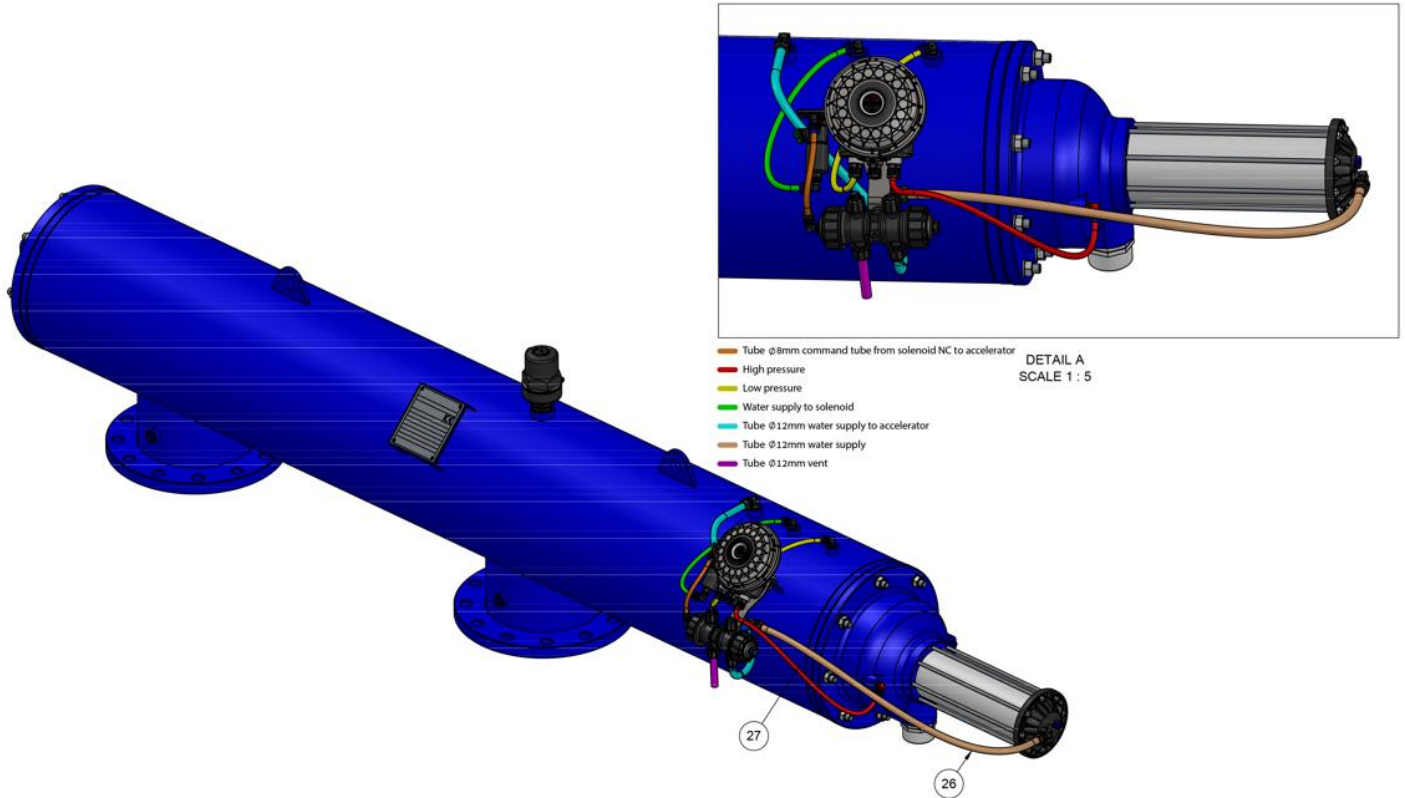
Remove marked items



## 2. Assemble



### 3. Control Schematic - Electronic Model



#### Disclaimer

Copyright © 2019 Amiad Water Systems Ltd. All rights reserved.

The contents of this document, including without limitation all information and materials, images, illustrations, data, drawings, names and any other such materials that appear in this document are the sole property of Amiad Water Systems Ltd. ("Amiad"), including any intellectual property rights, whether registered or not, and all know-how contained or embodied therein (together the "Content"). Amiad may alter, remove or change the Content without any further notice. You may not reproduce, copy, modify, create derivative works from, sell or participate in any sale of, or exploit in any way, in whole or in part, any of this document or its Content.

This document does not replace any certified drawing, procedure or information provided by Amiad in reference to a specific customer, site or project. Amiad assumes that all users understand risks involved within this file and/or its attached materials. This document is given in good faith and is not intended to impose any obligation to Amiad. While every effort has been made to ensure the information in this manual is accurate and complete, we would appreciate if you can bring any errors or omissions to the knowledge of Amiad or consult Amiad experts or its authorized representatives if you have any questions.

contact us: [service@irrigationglobal.com](mailto:service@irrigationglobal.com)

For further information contact:

[filtomat m100 & mg amiad filters spare parts online ordering](#)