

DETAIL A
SCALE 1 : 3

A	17.03.2022	FIRST ISSUE	Arkadii.Zitai.Z		
	Date	Reason for Issue	By	Chk	Apr

REVISION



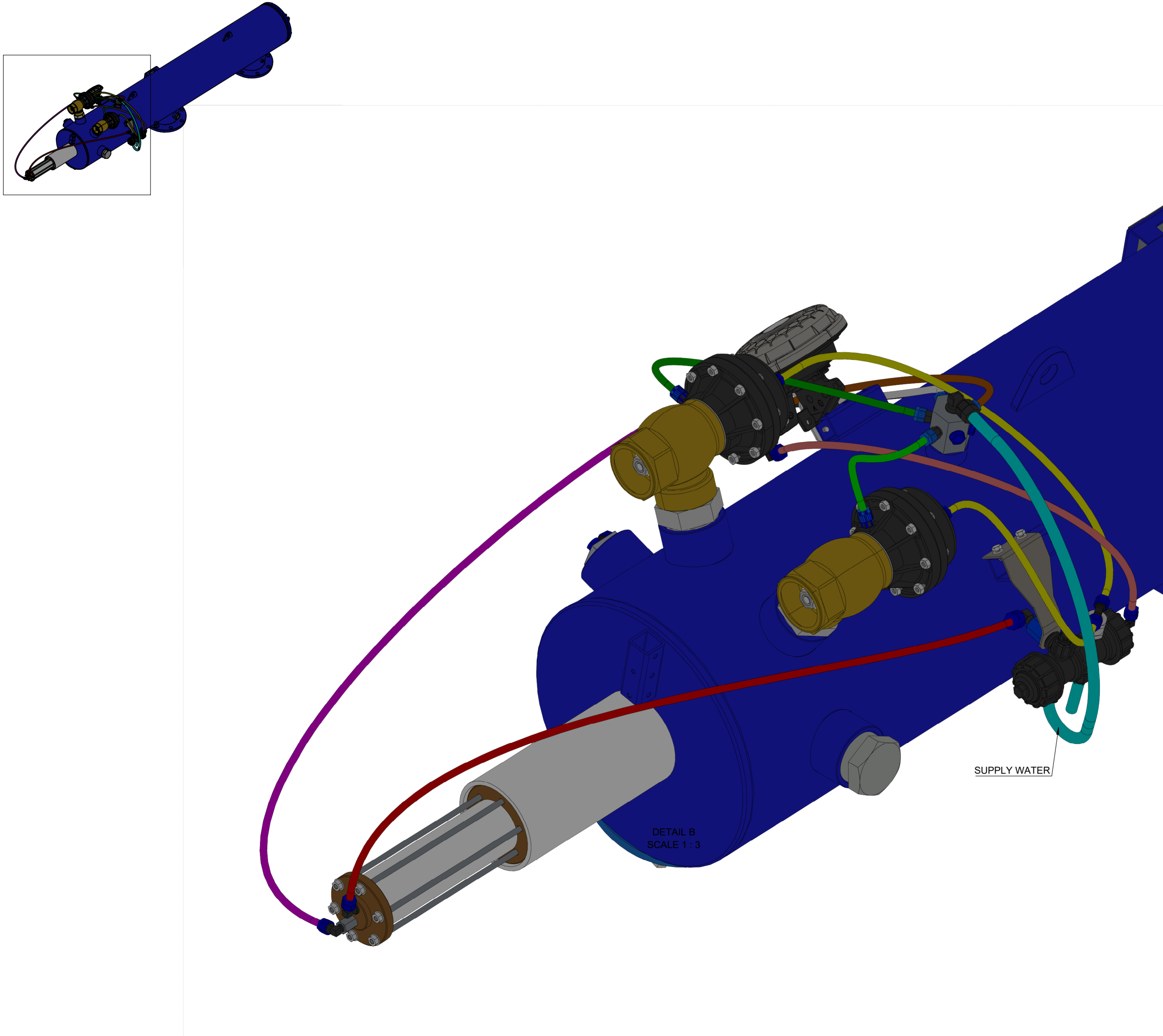
PROJECT :
M300 WITH PISTON

TITLE :
KIT CONVERSION ADI-P FOR M300 PISTON

Cat. No.:	SCALE (A2):	REV.:
700190-006551	1:20	A

Drw. No.:	SHEET NO.1 OF 5
M300 WITH PISTON	

Confidential property information.
Amiad Water Systems Ltd. Reserves the rights to make changes.
All copy rights reserved to Amiad Water Systems Ltd.



A	17.03.2022	FIRST ISSUE	Arkadii.Zitai.Z		
	Date	Reason for Issue	By	Chk	Apr
REVISION					



PROJECT :
M300 WITH PISTON

TITLE :
KIT CONVERSION ADI-P FOR M300 PISTON

Cat. No.:	SCALE (A2):	REV.:
700190-006551	1:20	A

Drw. No.:	SHEET NO.2 OF 5
M300 WITH PISTON	

Confidential property information.
Amiad Water Systems Ltd. Reserves the rights to make changes.
All copy rights reserved to Amiad Water Systems Ltd.

8 7 6 5 4 3 2 1

F F

E E

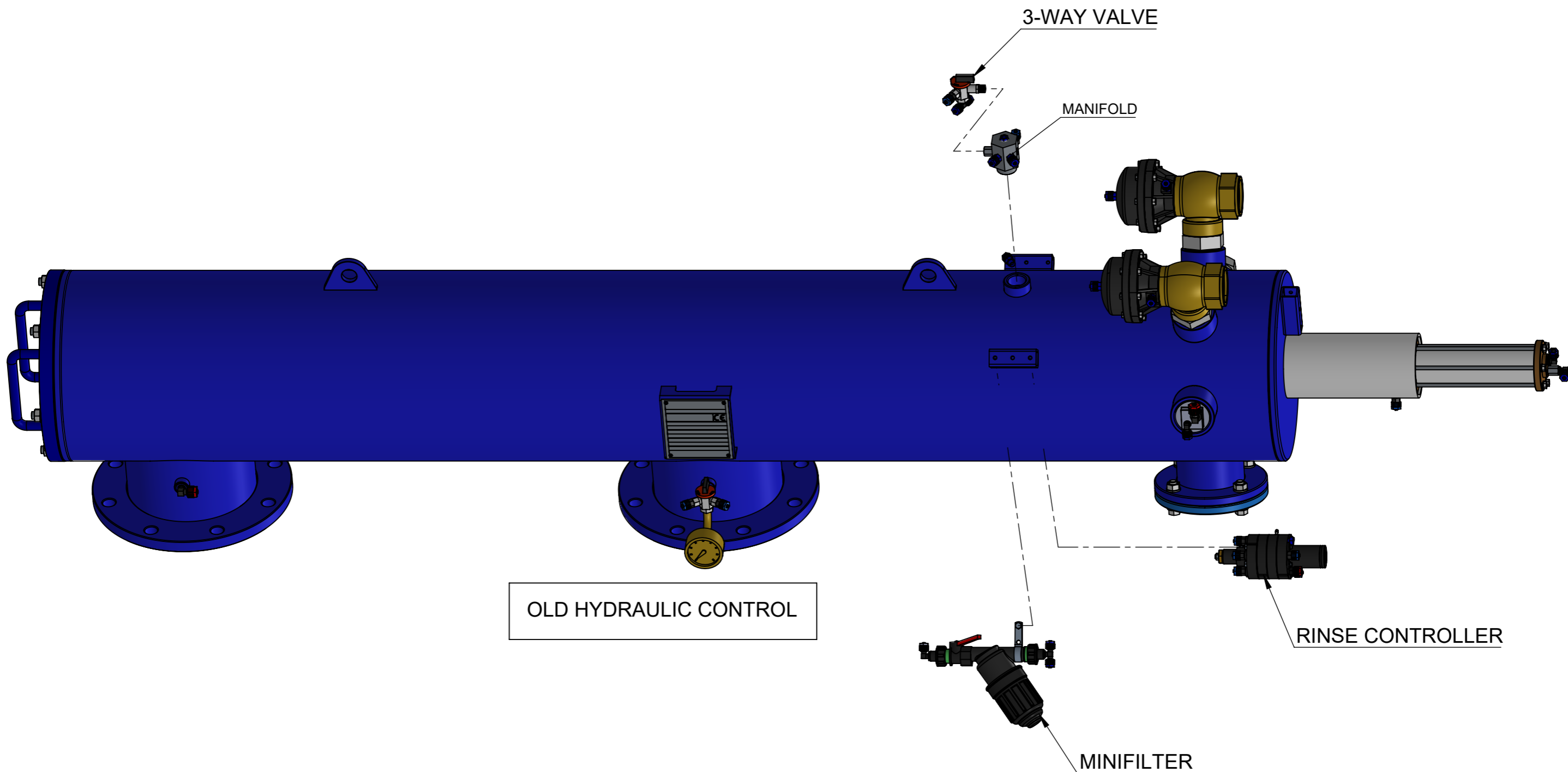
D D

C C

B B

A A

8 7 6 5 4 3 2 1



OLD HYDRAULIC CONTROL

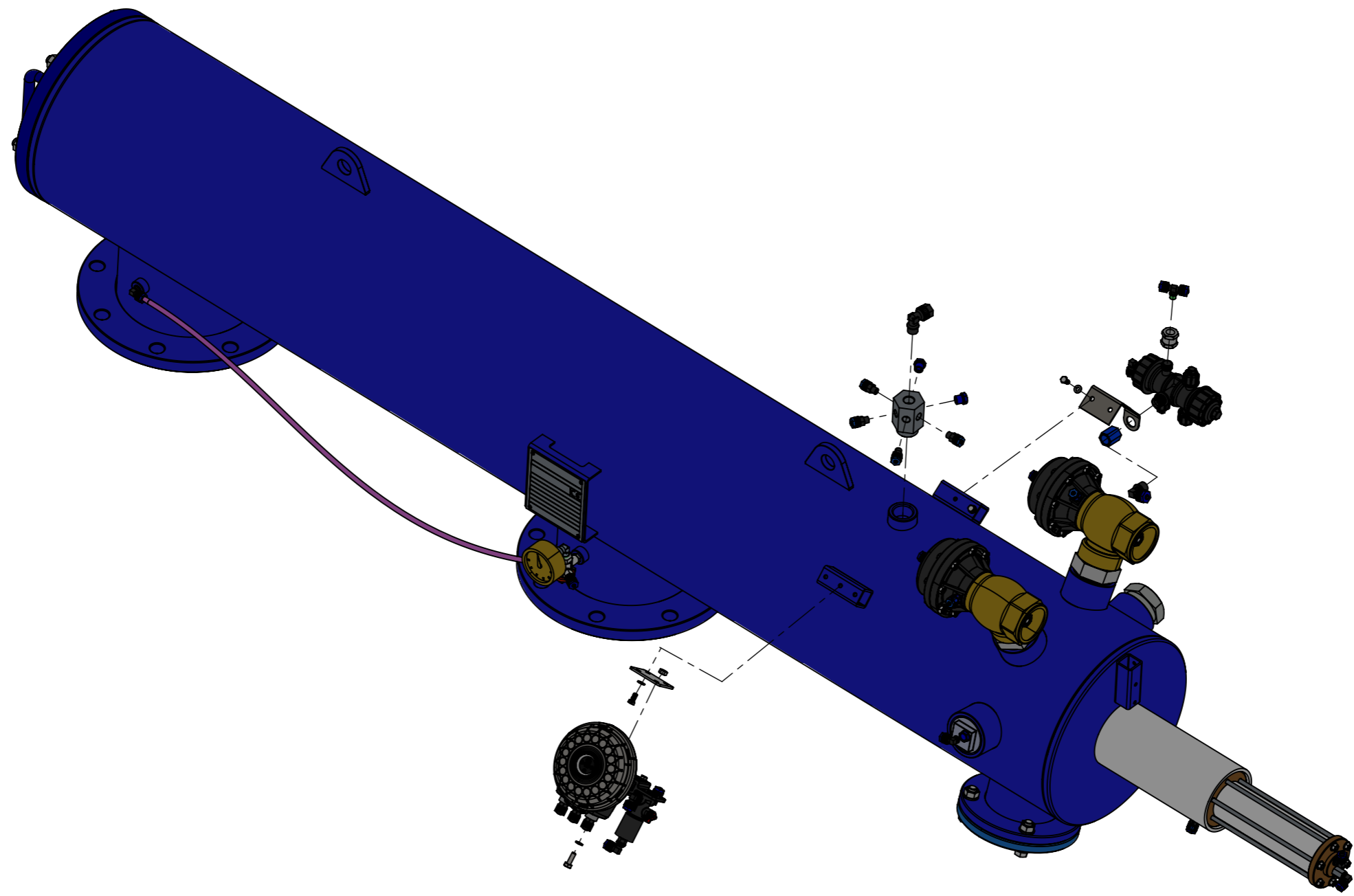
3-WAY VALVE

MANIFOLD

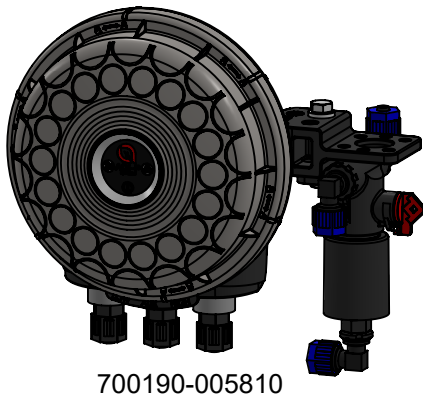
RINSE CONTROLLER

MINIFILTER

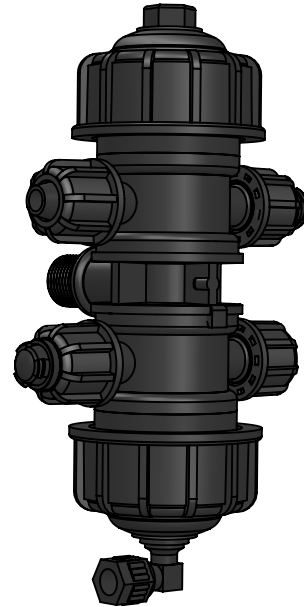
UNLESS OTHERWISE SPECIFIED: DIMENSIONS ARE IN MILLIMETERS			PART NAME/TITLE: 8" M300-4600B (M308LP) HYDRAULIC CONTROL								
<table border="1"> <thead> <tr> <th>NAME</th> <th>DATE</th> </tr> </thead> <tbody> <tr> <td>DRAWN Arkadi</td> <td>17.03.2022</td> </tr> <tr> <td>APPROVED Itai.Z</td> <td>17.03.2022</td> </tr> </tbody> </table>			NAME	DATE	DRAWN Arkadi	17.03.2022	APPROVED Itai.Z	17.03.2022	SUBJECT/PROJECT: M300		
NAME	DATE										
DRAWN Arkadi	17.03.2022										
APPROVED Itai.Z	17.03.2022										
Confidential property information. Amiad Water Systems Ltd. Reserves the rights to make changes. All copy rights reserved to Amiad Water Systems Ltd.			MATERIAL: VARIOUS		CAT. NO: 700190-006551						
			WEIGHT: 160 KG		DRW. REV.: A						
			DRW. NO: M300 WITH PISTON								
			SCALE: 1:50	SIZE: A3	SHEET 3 OF 5						



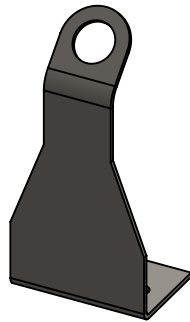
UNLESS OTHERWISE SPECIFIED: DIMENSIONS ARE IN MILLIMETERS			PART NAME/TITLE: KIT CONVERSION ADI-P FOR M300 PISTON								
<table border="1"> <thead> <tr> <th>NAME</th> <th>DATE</th> </tr> </thead> <tbody> <tr> <td>ARKADI</td> <td>17.03.2022</td> </tr> <tr> <td>ITAI.Z</td> <td>17.03.2022</td> </tr> </tbody> </table>			NAME	DATE	ARKADI	17.03.2022	ITAI.Z	17.03.2022	SUBJECT/PROJECT: M300 WITH PISTON		
NAME	DATE										
ARKADI	17.03.2022										
ITAI.Z	17.03.2022										
APPROVED			MATERIAL: VARIOUS	CAT. NO: 700190-006551	DRW. REV.: A						
Confidential property information. Amiad Water Systems Ltd. Reserves the rights to make changes. All copy rights reserved to Amiad Water Systems Ltd.			WEIGHT: 137 KG		DRW. NO: M300 WITH PISTON						
					SCALE: 1:50	SIZE: A3	SHEET 4 OF 5				



700190-005810



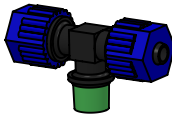
700190-006136



710103-011846



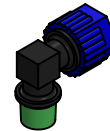
720501-000115



720501-000283



720501-000255



720501-000245



720501-000190



720501-000172



720501-000157

UNLESS OTHERWISE SPECIFIED:
DIMENSIONS ARE IN MILLIMETERS

PART NAME/TITLE:
KIT CONVERSION ADI-P FOR M300 PISTON

NAME	DATE
Arkadi	17.03.2022
Itai.Z	17.03.2022

SUBJECT/PROJECT:
M300 WITH PISTON

APPROVED

MATERIAL:
VARIOUS

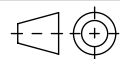
CAT. NO.:
700190-006551

Confidential property information.
Amiad Water Systems Ltd.
reserves the rights to make changes.
All copy rights reserved to
Amiad Water Systems Ltd.

WEIGHT: 1 KG

DRW. NO.:
M300 WITH PISTON

REV.:
A



SCALE: 1:2 | SIZE: A4 | SHEET 5 OF 5