

T Filters Screen & Discs Amiad

1" & 1½" T Filters



Technical specifications

Filter type	1" T	1" T Super	1½" T	1½" T-Super	
Cat. Number*	AP010B.TP0.0001	AP010B.UP0.0001	AP015B.TP0.0001	AP015B.UP0.0001	
In/out connection	25mm (1")	25mm (1")	40mm (1½")	40mm (1½")	
Max. Flow rate	7m³/h		15m³/h		
Max. Operating pressure	10bar				
Max. Temperature	60°C				
Filter area	Screen Disc	170cm² 200cm²	340cm² 460cm²	170cm² 200cm²	340cm² 460cm²
Weight	Screen Disc	0.917 kg 0.921 kg	1.244 kg 1.442 kg	0.855 kg 0.960 kg	1.244 kg 1.442 kg

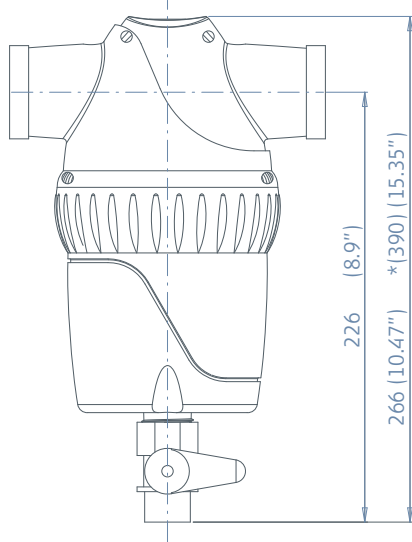
* Not including filter elemen

Construction materials

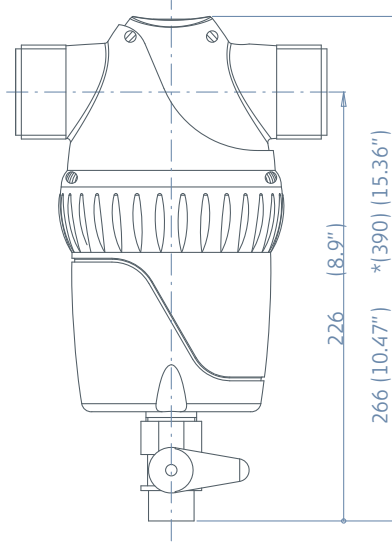
Housing and lid		PP
Housing seal		NBR
Screen cylinder	Construction Mesh Seals	PP ST.ST / PES NBR
Disc element	Construction Grooved discs Seals	PP ST.ST / PES NBR

Dimensional drawings

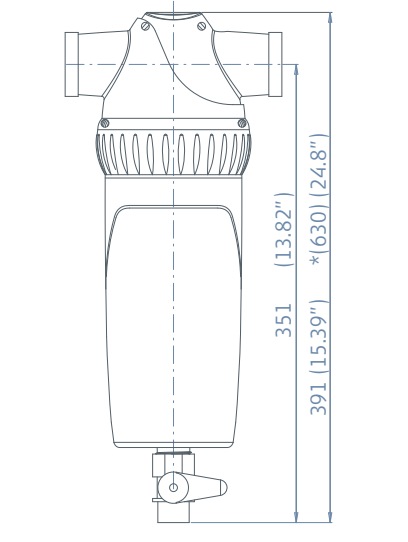
1"-T Plastic



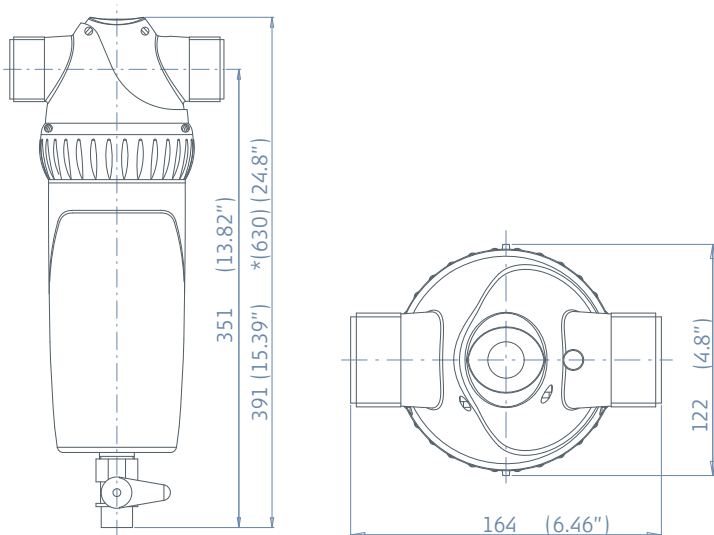
1½"-T Plastic



1"-T Super Plastic



1½"-T Super Plastic



Head Loss Graphs

