

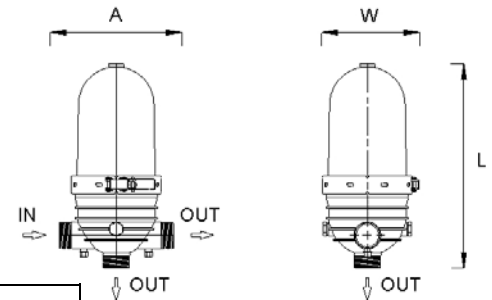
Arkal 2" Dual Filter with detachable spine. Features and technical data.

Angle/Line Filter

Catalog No. 1204 0_ _ _

Features

- 2 Outlet options – in line or angle
- Non-corrosive
- Detachable spine
- Pressure differential disc compression
- Robust design
- Drain valve at the bottom (optional)
- High volume filter with increased flow capacity
- Adapts to horizontal or vertical installation
- Easy clamp-on filter cover
- Pressure testing ports at filters inlet and outlet
- Available in various filtration grades



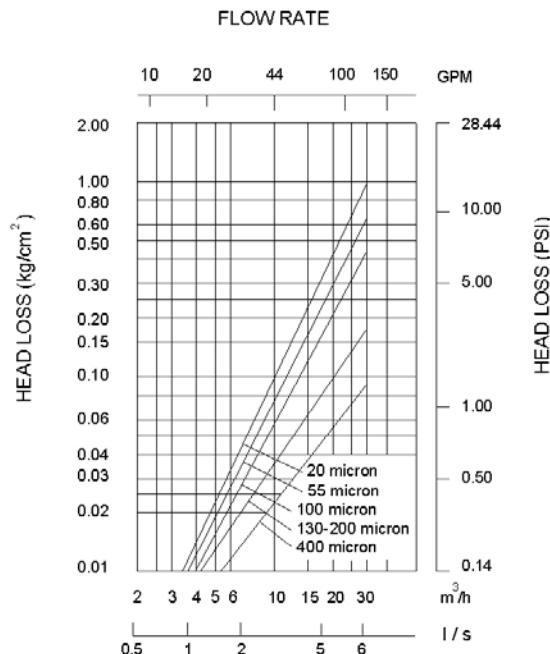
Technical Data

Inlet/outlet diameter	2" BSPT (male)	2" NPT (male)
	50 mm – nominal diameter	
Maximum pressure	12 atm	168 psi
Max flow rate	25 m ³ /h	110 gpm
General filtration area	953 cm ²	148 in ²
Filtration volume	1225 cm ³	75 in ³
Filter length	465 mm	18 5/6"
Housing diameter	200 mm	7 7/8"
Distance between end connections	A = 76 mm B = 130 mm	A = 3" B = 5 1/8"
Outer diameter of filter element	115 mm	4 17/32"
Length of filter element	261 mm	10 3/16"
Weight	5 kg.	11 pounds
Maximum temperature	70° C	158° C

Filtration Grades

- Blue (400 micron / 40 mesh)
- Yellow (200 micron / 80 mesh)
- Red (130 micron / 120 mesh)
- Black (100 micron / 140 mesh)
- Green (55 micron)
- Grey (20 micron)

Head Loss Chart



Arkal 2" Dual Filter with a detachable spine

Part List

No.	Cat. No.	Description	Materials
1	2511 0103	Gauge port nut (single unit)	RPP
2	5006 0004	Gauge port seal (single unit)	EPDM
3	2511 0200	2" Cap	RPA
4	5019 0112	½" Plug	PP
5	5003 2238	O-ring 2-238	EPDM
6	2502 0212	Spine	RPP
7	2021 1_ _ _	Disc set	PP
8	2502 0214	Spine extension	PP
9	2506 0211	Fixing nut	RPP
10	5040 1010	Fastening bolt	SS
11	5042 0030	Clamp	SS
12	5005 0002	Cover seal	EPDM
13	2501 0220	Filter cover	RPA
	2202 0022	Filter cover with stoper with ½" threaded	RPA
	2501 9220	Transparent cover with stopper	RPA
14	5054 0212	½" x ¼" Tap (*)	BRASS
15	2121 1_ _ _	Filter element	
	2204 0001	Filter body complex BSP	
16	2204 0002	Filter body complex NPT	

(*) Optional

Materials

RPP - REINFORCED POLYPROPYLENE

RPA - REINFORCED POLYAMIDE

SS - STAINLESS STEEL

PP - POLYPROPYLENE

PC - POLYCARBONATE

