

Arkal 2" Leader Filter with a detachable spine

Catalog No. 1224 3 _ _ _

Angle/Line Filter

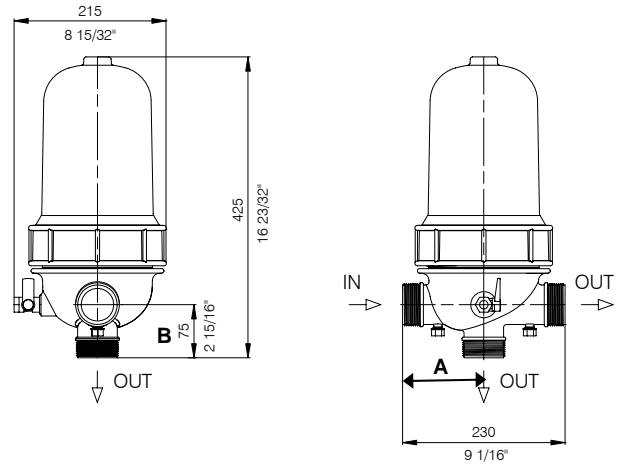
Features

- 2" Outlet options – inline or angle
- Non-corrosive
- Detachable spine
- Pressure differential disc compression
- Robust design
- High volume filter with increased flow capacity
- Adapts to horizontal or vertical installation
- Easy to open and close filter cover
- Pressure testing ports are at the filters inlet and outlet
- Available in various filtration grades
- Drain valve



Technical Data

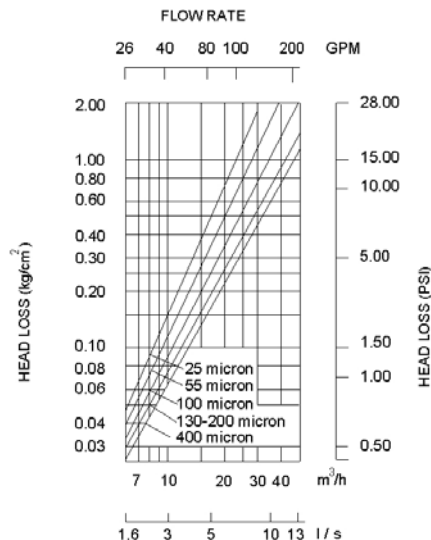
| Inlet/Outlet diameter | 2" Male Thread | 2" Male Thread |
|-------------------------------|-----------------------------------|---|
| Max. Pressure | 10 bar | 145 psi |
| Max. Flow rate 400-100 micron | ≤25 m ³ /h (6.9 l/sec) | ≤110 gpm |
| 55 micron | ≤16 m ³ /h (4.4 l/sec) | ≤70 gpm |
| 20 micron | ≤8 m ³ /h (2.2 l/sec) | ≤35 gpm |
| Total filtration area | 950 cm ² | 147 in ² |
| Total filtration volume | 1225 cm ³ | 75.7 in ³ |
| Filter length L | 425 mm | 16 ²³ / ₃₂ " |
| Filter width W | 230 mm | 9 ¹ / ₁₆ " |
| Distance between connections | A. 115 mm B. 75 mm | A. 4 ¹⁷ / ₃₂ " B. 2 ⁵ / ₁₆ " |
| Weight | 3.2 Kg | 7 lbs |
| Maximum temperature | 60° C | 140° F |
| pH | 2-13 | 2-13 |



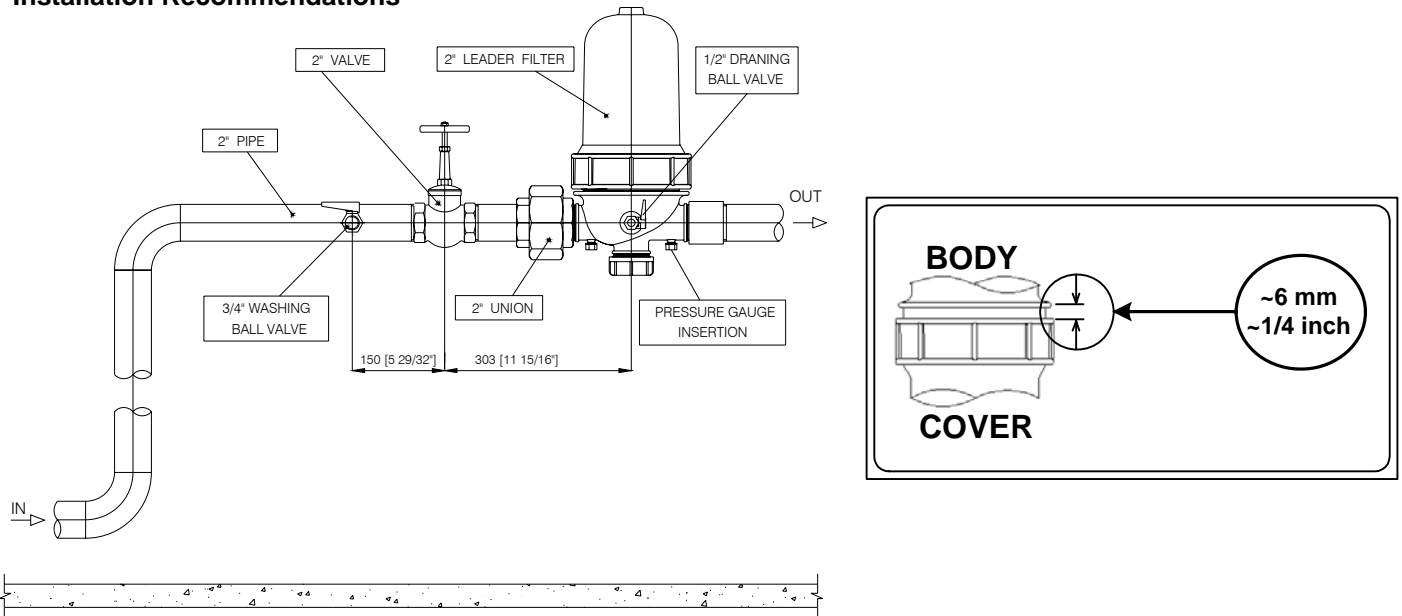
Filtration Grades

- Blue (400 micron / 40 mesh)
- Yellow (200 micron / 80 mesh)
- Red (130 micron / 120 mesh)
- Black (100 micron / 140 mesh)
- Green (55 micron)
- Grey (20 micron)

Head Loss Chart



Installation Recommendations



Dismantling

1. Make sure that the water pressure is turned off!
2. Drain the filter through the drainage valve.
3. Open the filter cover, and remove it from the filter body.
* *Please Note: Tools are not required! (Manual use only).*
4. The detachable spine is loose in the cover.
5. Flush the filter element.
6. If the filter discs require acid treatment you may dip the complete filter element in acid.

Assembly (in reverse order)

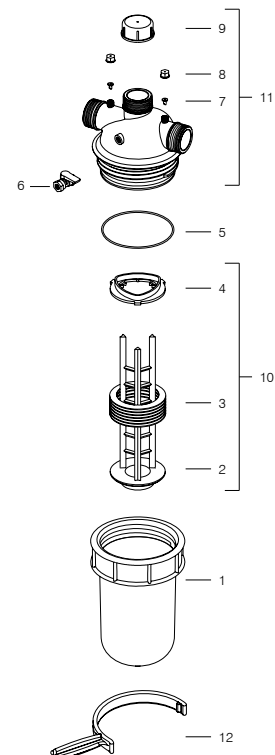
1. Position the filter element into the filter cover.
2. To verify that the element is in position, turn the cover while gently pressing on top, until it is in place.
3. Tighten the filter cover on the body and close.
* *Please Note: Tools are not required! (Manual use only).*

Attention!

To verify proper closing, (without tools) please follow the instructions below.

Part List

| No. | Cat. No. | Description | Materials |
|-----|--------------|----------------------------|-----------|
| 1 | 2501 0230 | Cover | PP |
| 2 | 2502 0230 | Spine | PP |
| 3 | 2021 1 _ _ _ | Disc sets | PP |
| 4 | 2507 0208 | Stop ring element | PP |
| 5 | 5003 1457 | O-ring 144.3x5.7 | EPDM |
| 6 | 5054 0212 | 1/2"x1/4" Tap | BRASS |
| 7 | 5006 0004 | Gauge port seal | EPDM |
| 8 | 2511 0103 | Gauge port nut | RPP |
| 9 | 2511 0200 | 2" Cap | RPA |
| 10 | 2125 1 _ _ _ | Single filter element | PP |
| 11 | 2224 0001 | Threaded ends body complex | PP |
| 12 | 2530 0117 | Spine wrench | RPA |



Materials

PP - POLYPROPYLENE

RPP - REINFORCED POLYPROPYLENE

RPA - REINFORCED POLYAMIDE