

**6" A.K. FLANGE -BS, ISO, ANSI**

**\* PATENT-PENDING**

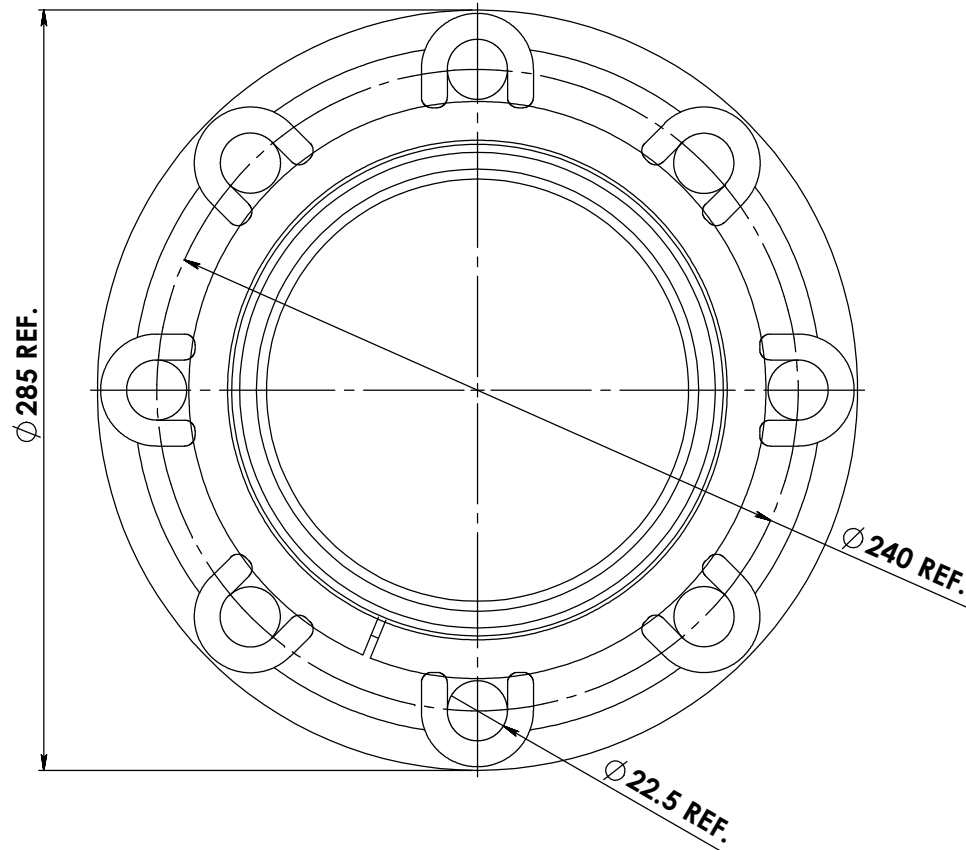
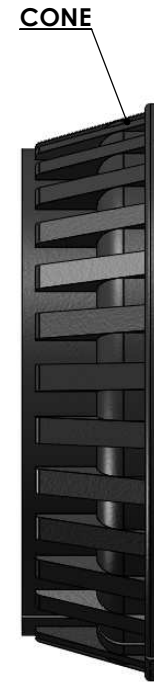
**\* PN-10**

**\* STANDARD MATERIALS:**

**Flange-RPA-(Reinforced Polyamid)**

**Cone Ring-POM-(Polyacetal)**

**Gasket-EPDM**



Click for Arkal Spare parts online ordering [www.irrigationglobal.com](http://www.irrigationglobal.com)

UNLESS OTHERWISE SPECIFIED: DIMENSIONS ARE IN MILLIMETERS			PART NAME/TITLE: 6inch ARKAL Flange		
DRAWN HELEN 04/09/2011			SUBJECT/PROJECT: POLY MANIFOLD		
CHECKED MARINA 31/01/2016			MATERIAL:		
APPROVED MARINA 31/01/2016			CAT. NO: 700190-000238		DRY WEIGHT: 2.0 KG
Confidential property information. Amiad Water Systems Ltd. Reserves the rights to make changes. All copy rights reserved to Amiad Water Systems Ltd.			Backup Drawing:		WET WEIGHT: KG
					DRW. NO: 700190-000238
			SCALE: 1:5	SIZE: A3	DRW. REV. A
					SHEET 1 OF 2