

AMIAD Water Systems

Spare parts catalogue
Spin Klin Filters Arakl Amiad
January 2016
www.irrigationglobal.com



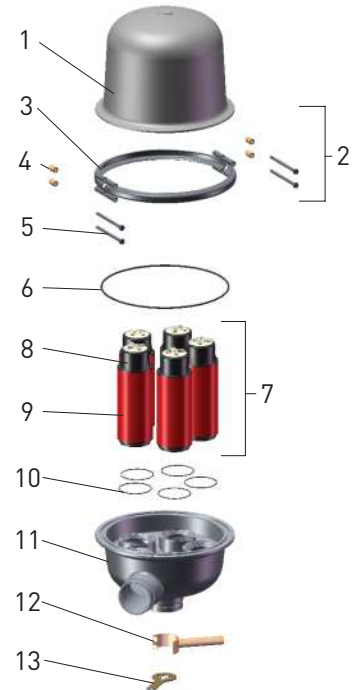
Spin Klin Automatic discs Filters Spare Parts.
Online Orders, Arkal Amiad

4" SPIN KLIN GALAXY ALUMINIUM

Product is out of production, available only for spares

SAP Cat. No.: 600004-000011

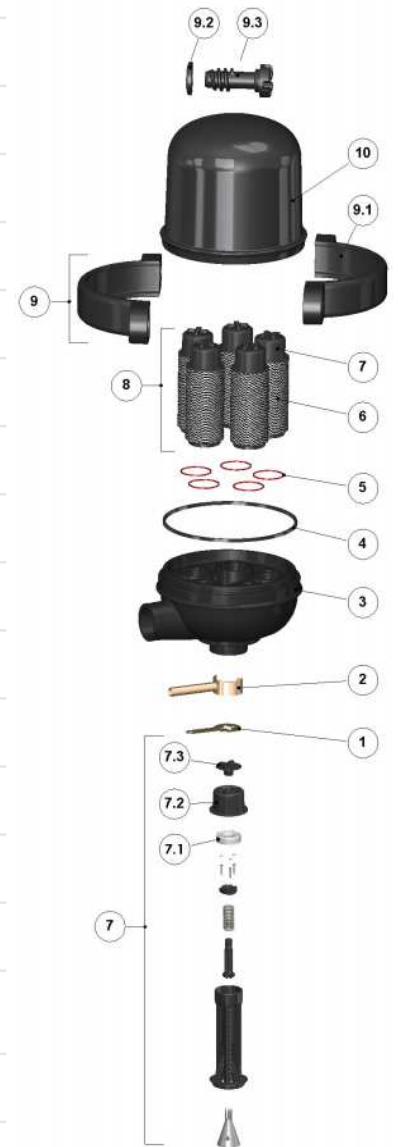
NO.	DESCRIPTION	SAP CAT. NO.
1	Filter Cover Aluminium	710103-000388
2	Clamp Complete	700190-000267
3	Clamp Half S.S.	760108-000025
4	Nut M10*30 Brass	760102-000041
5	Bolt M10*160 S.S.	760101-000011
6	"O" Ring 2* 461 EPDM	770102-000053
7	SK Spine Complex with Discs 130 Micron	700101-000271
8	SK Model 2.7 Spine	700101-001193
9	2"-3" SK Disc Set 130 Micron DW	700101-001176
10	"O" Ring 2*243 EPDM	770102-000038
11	Filter Housing AHT Aluminium	710103-000386
12	Spine Wrench G.S.	760109-000131
13	Butterfly Nut Wrench G.S.	760109-000055



4" SPIN KLIN GALAXY POLYPROPYLENE

SAP Cat. No. (Victaulic Connections): 600004-000041

NO.	DESCRIPTION	SAP CAT. NO.
1	SK Butterfly Nut Wrench Galv.	760109-000055
2	SK Spine Wrench	760109-000131
3	Galaxy PP Filter Body Assembly	700190-000186
4	Seal for Galaxy Polymer Cover	770104-000049
5	Flat Injected Seal F/Galaxy PP DW	710101-000136
6	2" SK Disc Set 130 Micron DW	700101-001176
6	2"-3" SK Disc Set 130 Micron Nylon	700101-000021
7	SK Spine Model 2	700101-001193
7.1	Spine Piston SK 2.7 DW	710101-000436
7.2	Tightening Cylinder F/SK-2 Spine	710101-000106
7.3	Butterfly Nut F/SK-2	710101-000435
8	Spin Klin Spine Complex with Discs 130 Micron	700101-000271
9	Assembly Clamp for 4" Galaxy/Sigma	700190-004133
9.2	Washer F/Clamp 10" Galaxy	710101-000234
9.3	Screw F/Clamp 10" Galaxy Machined	710103-005294
9	Galaxy 4" PP Clamp Assembly (Old St/St Clamp)	700190-000203
9.2	Nut M10*30 Brass	760102-000041
9.3	Bolt M10*100 Micron	760101-000256
10	4" Galaxy Poly Filter Cover DW	710103-000371

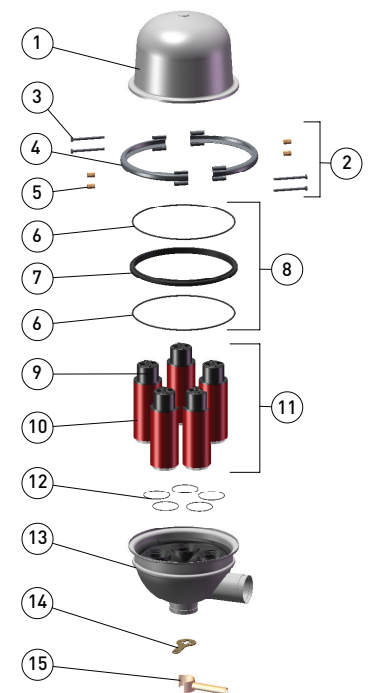


4" SPIN KLIN GALAXY STAINLESS STEEL

Product is out of production, available only for spares

SAP Cat. No. (Victaulic Connections): 600004-000123

NO.	DESCRIPTION	SAP CAT. NO.
1	Galaxy 316 SSt Cover Cap Polished	710105-000007
2	Galaxy 444 SSt Clamp + Bushings	700190-000281
3	Hex Bolt Full THRD M10 x 160 S/St 304	760101-000011
4	Half Clamp 444 f/4" Galaxy-S/St Polish	760108-000030
5	Nut M10*30 Brass	760102-000041
6	O-Ring 2-461 EPDM	770102-000053
7	Support f/Galaxy Seal	710101-000173
8	Seal Seating + Seals	700190-000226
9	SK Spine	700101-001193
10	2"-3" SK Disc Set 130 Micron DW	700101-001176
11	Spin Klin Spine Complex With Discs 130 Micron	700101-000271
12	O-Ring 104 x 3 EPDM	770101-000013
13	Galaxy Body w/Groove	700190-001138
14	SK Butterfly Nut Wrench Galv.	760109-000055
15	SK Spine Wrench	760109-000131

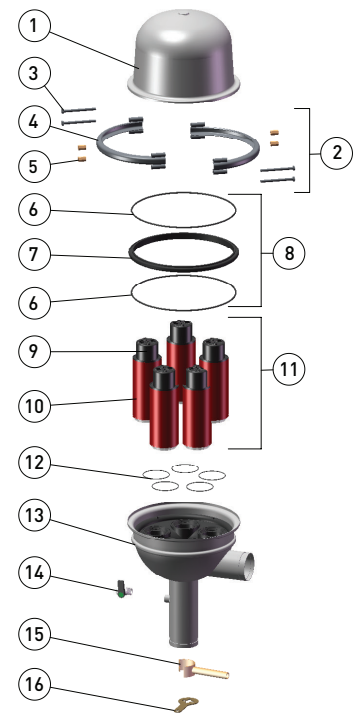


4" SPIN KLIN GALAXY STAINLESS STEEL

Product is out of production, available only for spares

SAP Cat. No. (Victaulic Connections): 600004-000124

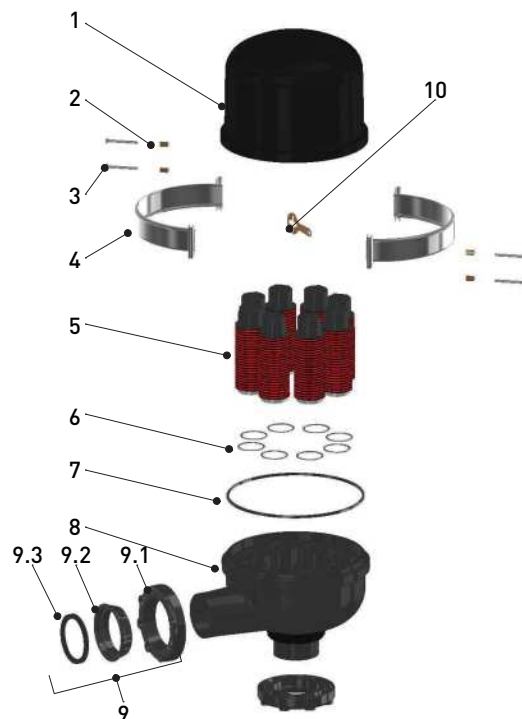
NO.	DESCRIPTION	SAP CAT. NO.
1	Galaxy 316 SSt Cover Cap Polished	710105-000007
2	Galaxy 444 SSt Clamp + Bushings	700190-000281
3	Hex Bolt Full THRD M10 x 160 S/St 304	760101-000011
4	Half Clamp 444 F/4" Galaxy-S/St Polish	760108-000030
5	Nut M10*30 Brass	760102-000041
6	O-Ring 2-461 EPDM	770102-000053
7	Support F/Galaxy Seal	710101-000173
8	Seal Seating + Seals	700190-000226
9	SK Spine	700101-001193
10	2"-3" SK Disc Set 130 Micron DW	700101-001176
11	Spin Klin Spine Complex with Discs 130 Micron	700101-000271
12	O-Ring 104 x 3 EPDM	770101-000013
13	Galaxy 316 SSt Body	700190-001140
14	Ball Valve 3/4" M/F (Brass/Ni)	730104-000232
15	SK Spine Wrench	760109-000131
16	SK Butterfly Nut Wrench Galv.	760109-000055



6" SPIN KLIN GALAXY POLYPROPYLENE

SAP Cat. No. (Flange Connections): 600007-000029

NO.	DESCRIPTION	SAP CAT. NO.
1	6" Galaxy Filter Cover DW	710103-000372
2	Nut M10*30 Brass	760102-000041
3	Bolt M10*100	760101-000256
4	Half Clamp For 6" PP Galaxy S/St 304 Polish	760108-000012
5	SK Spine	700101-001193
5	2"-3" SK Disc Set 130 Micron DW	700101-001176
6	Flat Seal For Galaxy Polymer (6") DW	770104-000051
7	6" Hydraulic Seal Epdm for Galaxy	770104-000016
8	6" Galaxy Body Assembly PP	700190-000130
9	6" Arkal Universal Flange	700190-000238
9.1	6" Loose Ring Flane	710101-000900
9.2	6" Cone Ring	710101-000861
9.3	6" Quick Flange Gasket	770104-000036
10	SK Butterfly Nut Wrench Galv.	760109-000055



3" SPIN KLIN APOLLO ANGLE

SAP Cat. No. (3" SK): 600002-000008

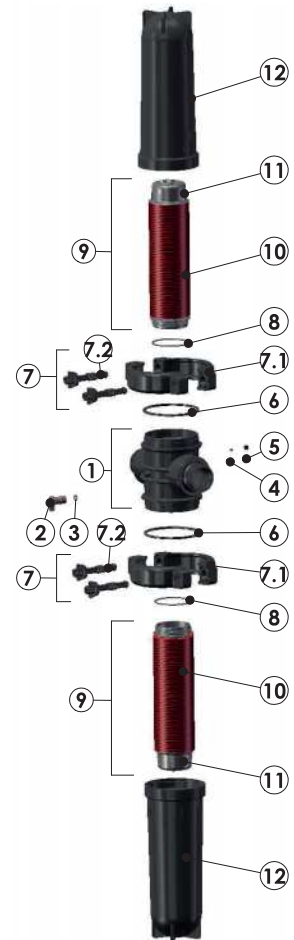
NO.	DESCRIPTION	SAP CAT. NO.
1	3" Angle SK 4 Vic Body Assy	700190-000127
2	Ball Valve 1/2" x 1/4" Arkal Type	730104-000217
3	Gauge Port Seal	770104-000045
4	Gauge Port Plug w/3mm Hole	710101-000148
5	3"-4" Hydeaulic Seal	770104-000254
6	Assembly Bracer PL Apollo	700190-003658
6.1	Filter Clamp S/ST304 F/Super Leader	760108-000122
6.2	Apollo Cover Bracket PL.	710103-006001
6.3	Screw Long F/Apollo Clamp Machined	710103-005754
7	O-Ring 2-355 Nitrile	770102-000023
8	3"-4" SK Disc Set 130 Micron Apollo	700101-000047
9	SK Spine PP Model 4	700101-000267
10	3"-4" SK Filter Element 130 Micron Apollo	700101-000218
11	Cover Apollo	710103-004513



4" SPIN KLIN APOLLO TWIN

SAP Cat. No.: 600005-000005

NO.	DESCRIPTION	SAP CAT. NO.
1	4" Body Vic + Welded Seat	710103-000002
2	Ball Valve 3/4" F/F	730104-000231
3	O-Ring 2-311 EPDM	770102-000043
4	Gauge Port Seal	770104-000045
5	Gauge Port Plug w/3mm Hole	710101-000148
6	3"-4" Hydraulic Seal	770104-000254
7	Assembly Bracer PL Apollo	700190-003658
7.1	Filter Clamp S/ST304 F/Super Leader	760108-000122
7.2	Apollo Cover Bracket PL.	710103-006001
7.2	Screw Long F/Apollo Clamp Machined	710103-005754
8	O-Ring 2-355 Nitrile	770102-000023
9	3"-4" SK Filter Element 130 Micron Apollo	700101-000218
10	3"-4" SK Appolo Disc Set 130 Micron Apollo	700101-000047
11	SK Spine PP Model 4	700101-000267
12	Cover Apollo	710103-004513

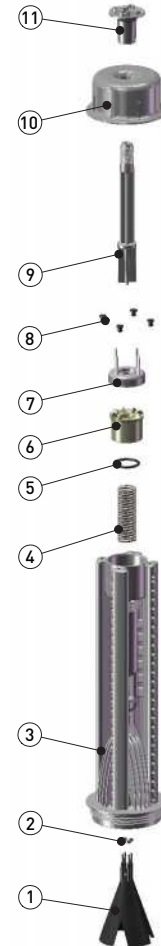


4" SPIN KLIN SPINE MODEL 4

SAP Cat. No.: 700101-000267

SAP Cat. No.: 700101-000265 (LCE)

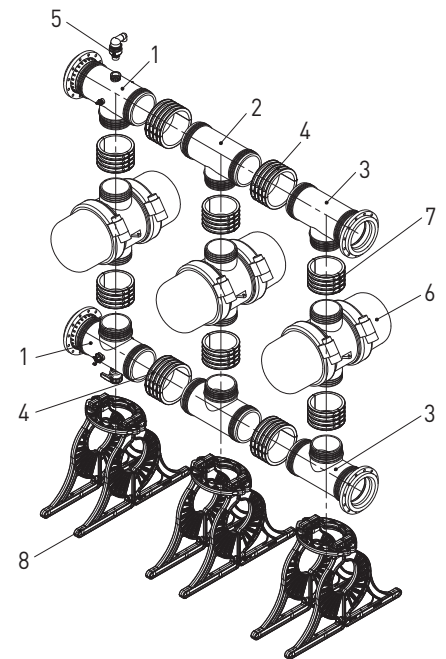
NO.	DESCRIPTION	SAP CAT. NO.	
1	Cone Membrane Natural 70 Shore 4" SK	770104-000059	
	Cone Membrane Natural 70 Shore LCE 4" SK	770104-000060	
2	S/St Ring	710103-005692	
3	4" SK Spine RPP Grey	710101-000079	
4	Multy SPRNG 4" SK L0 = 220mm D = 4.5mm S/St 302	-	Not for sale
5	O-Ring 2-327 EPDM	-	Not for sale
6	Retaining Nut 4" SK RPP F/Spine SP Disc	-	Not for sale
7	4" SK Spine Piston PE Natural	710101-000179	
8	Plug Seal Natural 65 Shore 4" Spin Klin	-	Not for sale
9	4" SK Screw RPP Grey	-	Not for sale
10	4" SK Spine Tightening Cylinder RPP Grey	710101-000116	
11	4" SK Spine Tightening NUT RPP Black	710101-000112	
	4" SK Spine Tightening NUT RPP Green	710101-000115	



10" SUPER GALAXY MODULE

SAP Cat. No.: 115002-000039

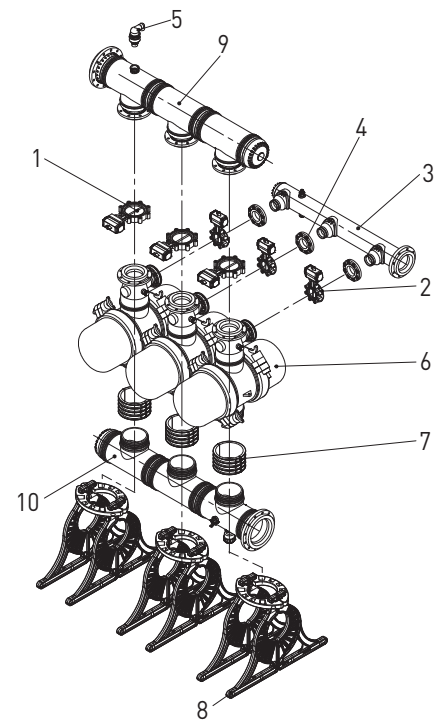
NO.	DESCRIPTION	SAP CAT. NO.
1	12" Tee for Inlet and Outlet Manifolds with Couplings	750101-008440
2	Manifold Pp Tee 315*10" DW	710101-001070
3	In/Out 2 Manifold 315 1*10" SK Super Galaxy 12"Din	750101-008441
4	12" Plastic Coupling Assembly	700190-003657
4.1	12" Clamp Hydraulic Seal	770104-000287
4.2	Hex Bolt Full THR M12 x 150 Din933 S/St 316	760101-000926
4.3	Hex Nut M12 x 30 Brass Special	760102-000034
4.4	Flat Washer M12 x 2.5 Din 125 S/St 316	760103-000125
5	2" Barak Air Rel. Valve	730108-000040
6	10" Super Galaxy Filter Please contact Amiad for specific configuration.	600011-XXXXXX On request
7	10" Plastic Coupling Assembly	700190-003596
7.1	10" Clamp Hydraulic Seal	770104-000043
7.2	Hex Bolt Full THR M12 x 150 Din 933 S/St 316	760101-000926
7.3	Hex Nut M12 x 30 Brass Special	760102-000034
7.4	Flat Washer M12 x 2.5 Din 125 S/St 316	760103-000125
8	Short Leg 315mm Assembly	700190-003835



10" SUPER GALAXY BATTERY

SAP Cat. No.: 115000-000025

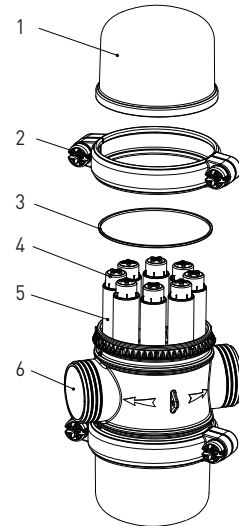
NO.	DESCRIPTION	SAP CAT. NO.	
1	Bray Valve S31-119-ND-8" - ASA/S92-1190	730105-000124	
2	Bray Valve S31-119-ND-4" - ASA/S92-0830	730105-000061	
2.1	Separation Ring F/4" Flange Pp	710101-000841	
3	Drain Manifold 200 3*4" Vic F/10" Galaxy 8" Din	750101-008285	
4	4" AKF Universal	700190-000227	
5	2" Barak Air Rel. Valve	730108-000040	
6	10" Super Galaxy Filter Please contact Amiad for specific configuration.	600011-XXXXXX	On request
7	10" Plastic Coupling Assembly	700190-003596	
7.1	10" Clamp Hydraulic Seal	770104-000043	
7.2	Hex Bolt Full THR M12 x 150 Din 933 S/St 316	760101-000926	
7.3	Hex Nut M12 x 30 Brass Special	760102-000034	
7.4	Flat Washer M12 x 2.5 Din125 S/St 316	760103-000125	
8	Short Leg 315mm Assembly	700190-003835	
9	Inlet Manifold 315 Injection 3*10" SK S.Galaxy 12" Din	750101-009779	
10	Outlet Manifold 315 Injection 3*10" Sk S.Galaxy 12" Din	750101-009780	



10" SUPER GALAXY SINGLE FILTER POD

SAP Cat. No.: 600011-000040

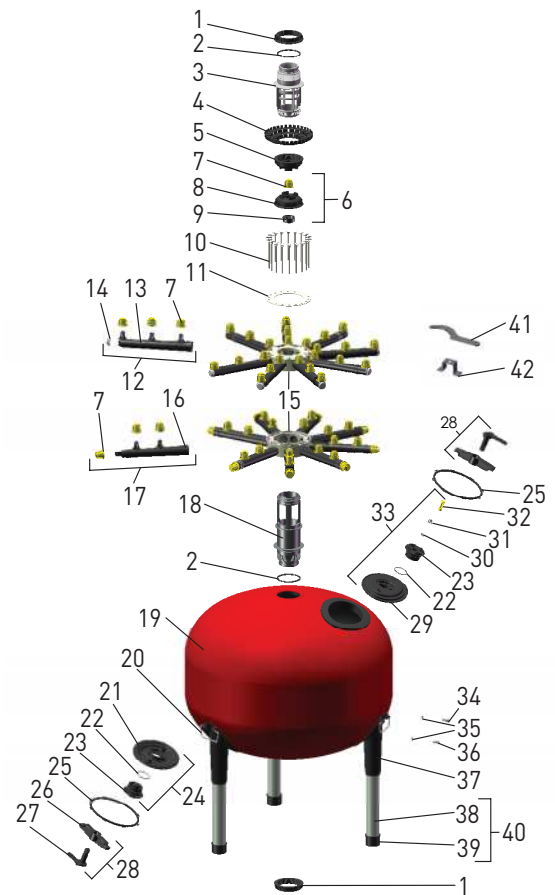
NO.	DESCRIPTION	SAP CAT. NO.
1	6" Galaxy Filter Cover	710103-000372
2	Clamp 10" Galaxy	700190-000251
	Screw F/Clamp 10" Galaxy	710103-005294
3	6" Hydraulic Seal EPDM for Galaxy	770104-000016
4	2"-3" Spine Body Please contact Amiad for specific configuration.	700101-XXXXXX
4	Flat Seal for Galaxy Polymer (6") DW	770104-000051
5	2" SK Disc Set Nylon For all available filtration degrees. See pages 51-56.	700101-XXXXXX
5	2" SK Disc Set PP For all available filtration degrees. See pages 51-56.	700101-XXXXXX
6	Assembly 10" Galaxy Body + 2* Outlet Clamp	700190-004175



AGF

SAP Cat. No.: 210000-000010

NO.	DESCRIPTION	SAP CAT. NO.
1	Locking Nut F/AGF	710103-000376
2	O-Ring 125 x 8 EPDM 70 Shore Yellow Dot	770101-000021
3	Inlet, AGF	710101-000393
4	Distributor Plate, AGF	710103-000377
5	Upper Sealing Nut AGF	710101-000391
6	Agf Sealing Nut+Mushroom + Holder	700190-000159
7	Mushroom F/AGF	710101-000833
8	Lower Sealing Nut for AGF	710103-000016
9	AGF Mushroom Holder	710103-000018
10	Pin, AGF	710101-000400
11	Pin Washer Holder Flic	760109-000110
12	AGF Upper Diffuser Subassembly	700190-000156
13	AGF Upper Diffuser Subassembly	Not available for sale
14	Endcup, AGF	Not available for sale
15	Drum, AGF	Not available for sale
17	AGF Lower Diffuser Subassembly	700190-000157
18	Outlet, AGF	710101-000394
19	AGF Filter Tank	720601-000044
20	Handle SAt For 48" AGF PL.	760109-000108
21	Lower Cover, AGF	710103-000383
22	O-Ring 76 x 4 EPDM	770101-000019
23	Lower Plug, AGF	710101-000413



(Continued)

AGF (Continued)

SAP Cat. No.: 210000-000010

NO.	DESCRIPTION	SAP CAT. NO.
24	AGF Lower Cover Assembly	700190-000153
25	AGF Cover Seal	770104-000020
26	Bridge, AGF	710103-000380
27	AGF Tightening Screw	710101-000404
28	AGF Bridge Cover Subassembly	700190-000158
29	Upper Cover, AGF	710103-000382
30	O-Ring 2-310 EPDM	770102-000042
31	Spring for AGF Vacuum Valve S/St 302	760107-000007
32	Vacuum Release, AGF	710101-000408
33	AGF Upper Cover Subassembly	700190-000149
34	Hex Bolt Full TH 3/8" x 30 S/St 304	760101-000212
35	Flat Washer 3/8" B18.22.1 S/St 304	760103-000055
36	Hex Bolt Full TH 3/8" x 40 S/St 304	760101-000218
37	Leg Housing, AGF	710103-000381
38	Leg, AGF 76.2*515	760109-000038
39	Base-Cap F.AGF	710101-000410
40	AGF Leg Subassembly	700190-000161
41	Lower Cover Wrench AGF	760109-000052
42	Locking Nut Wrench AGF	760109-000050

BATTERY COMPONENTS & VALVES

NO.	DESCRIPTION	SAP CAT. NO.
1	2" Vic Connector Red	780102-000020
2	2" Vic Connector Blue	780102-000058
3	2" Vic Connector Green	780102-000023
4	2" Vic Connector Pl.W/S/St 316 Bolts	780102-000068
5	3" Vic Connector Red	780102-000025
6	3" Vic Connector Blue	780102-000057
7	3" Vic Connector Green	780102-000028
8	3" Vic Connector Pl.W/S/St 316 Bolts	780102-000031
9	4" Vic Connector Red	780102-000032
10	4" Vic Connector Blue	780102-000055
11	4" Vic Connector Green	780102-000033
12	4" Vic Connector Pl.W/S/St 316 Bolts	780102-000035
13	4" Vic Connector Rilsen Bl.W/S/St 316 Bolts	780102-000072
14	6" Vic Connector Red	780102-000036
15	6" Vic Connector Blue	780102-000038
16	6" Vic Connector Green	780102-000037
17	3" BSTD Quick Flange	740101-000156
18	3" Din Quick Flange	740101-000155
19	3" ASA Quick Flange	740101-000154
20	4" ASA Quick Flange	740101-000159
21	4" BSTD/Din Quick Flange	740101-000161
22	6" ASA/BSS Quick Flange	740101-000164
23	¾" Segev Air Rel.Valve	730108-000006

BATTERY COMPONENTS & VALVES (continued)

NO.	DESCRIPTION	SAP CAT. NO.
24	1" Barak Air Rel.Valve 10 AT BSPT ARI	730108-000025
25	1" Barak Air Rel.Valve NPT	730108-000026
26	2" Barak Air Rel.Valve	730108-000040
27	Bermad Booster Valve	730113-000293
28	³ / ₈ " Dorot Plas. Accelerator	730110-000009
29	Pressure Check Needle	720301-000002
30	2" Vict.connector Gasket	770104-000027
31	3" Vict.Connector Gasket	770104-000028
32	4" Vict. Connector Gasket	770104-000029
33	6" Vict.Connector Gasket	770104-000030
34	1" Vacuum Breaker (Arkal)	700190-003406

CONTROL SYSTEM

NO.	DESCRIPTION	SAP CAT. NO.
1	Murphy Diff.Presst.Gaugem	700103-000002
2	Pres.Difer.United Elec.	700103-000004
3	Pres.Difer.United Elec. 6mm J.G.	700103-001387
4	Pres.Difer.United Elec.	700103-000005
5	Electr.P.D.Gauge Bacara	700103-000013
6	Electr.P.D.Gauge Bacara	700103-000014
7	Electr.P.D.Gauge Bacara 8mm J.G.	700103-000015
8	Controller AMC - DC -1	700103-001171
9	Controller AMC - DC -2	700103-001172
10	Controller AMC - DC -3	700103-001173
11	Controller AMC - DC -4	700103-001174
12	Controller AMC - DC -5	700103-001175
13	Controller AMC - DC -6	700103-001176
14	Controller AMC - AC -1 220V	700103-001195
15	Controller AMC - AC -2	700103-001204
16	Controller AMC - AC -3	700103-001213
17	Controller AMC - AC -4	700103-001221
18	Controller AMC - AC -5	700103-001238
19	Controller AMC - AC -6	700103-001244

CONTROL SYSTEM PARTS

Products are out of production, available only for spares

NO.	DESCRIPTION	SAP CAT. NO.
1	12V Alkaline GP Battery	720207-000002
2	9V Alkaline Battery	720207-000001
3	Basic Filtron FT1 Out 3W DC card	720101-000657
4	Filt PCB 2-AC Plas.Light+Panel	720101-000187
5	Filt PCB 4-AC Plas.Light+Panel	720101-000188
6	Filt PCB 6-AC Plas.Light+Panel	720101-000189
7	Filter 3.6/DC PCB+Panel PL	720101-000126
8	Gemsol 24V/50HZ 360	720103-000088
9	Gemsol 24V 60HZ 360	720103-000089
10	Bacsol 24V AC	720103-000346
11	Bacsol 12VDC 3-Wire Latch	720103-000345
12	3-Wire Oper.23 OM DC	720103-000021
13	2-Wire Oper.12V DC	720103-000028
14	2-Wire Oper.24V AC	720103-000027
15	Bacsol 12VDC 2-Wire Latch	720103-000001
16	Gemsol 24V/50HZ 360+Plug	700103-000011
17	Galit-2000 Hydr. Relay	720103-000014
18	Plate for Galit	760109-000049
19	Elect Control DC-6V 6-Out 1-In AMC-6	720101-000477
20	Elect Contrl 220VAC 6-Out 1-in AMC-6	720101-000475
21	Elect Contrl 110VAC 6-Out 1-In AMC-6	720101-000476
22	1.5 Volt Battery	720207-000013

PARTS OF MANIFOLDS PP

NO.	DESCRIPTION	SAP CAT. NO.
1	Plastic Leg 110mm F/2" SK	710101-000439
2	Leg Plast. 330mm for 2" SK	710101-000278
3	3" Arkal Universal Flange	700190-000223
4	4" Arkal Universal Flange	700190-000227
5	6" Arkal Universal Flange	700190-000238
6	Pl. Support Leg for 160 Man.	700190-000231
7	3" PP Vic. Cap	710101-000165
8	Victaulic Cap 4" PP	710101-000433
9	6" Vic.PL.Cap	710101-000200
10	2" Victaulic-BSP Thread Connector	700190-003407

Spin Klin Replacements

FILTER ELEMENTS & DISC SET FOR PLASTIC FILTERS 2" SK

DESCRIPTION	SAP CAT. NO.
2" SK Disc Set 200 Micron Nylon	700101-000020
2" SK Disc Set 130 Micron Nylon	700101-000021
2" SK Disc Set 100 Micron Nylon	700101-000022
2" SK Disc Set 70 Micron Nylon	700101-000019
2" SK Disc Set 55 Micron Nylon	700101-001190
2" SK Disc Set 40 Micron Nylon	700101-001329
2" SK Disc Set 20 Micron Nylon	700101-000023
2" SK Filter Element Nylon 100 Micron	700101-000161
2" SK Disc Set 400 Micron DW	700101-001187
2" SK Disc Set 200 Micron DW	700101-001188
2" SK Disc Set 130 Micron DW	700101-001176
2" SK Disc Set 100 Micron DW	700101-001177
2" SK Disc Set 70 Micron DW	700101-001184
2" SK Disc Set 55 Micron DW	700101-001183
2" SK Disc Set 40 Micron DW	700101-001189
2" SK Disc Set 20 Micron DW	700101-001182
2" SK Spine Complex with Discs 130 Micron	700101-000271

SK filters Spare Parts Online Orders, Arkal Amiad

FILTER ELEMENTS & DISC SET FOR PLASTIC FILTERS 4" APOLLO

DESCRIPTION	SAP CAT. NO.
3"-4" Apollo Disc Set 400 Micron	700101-000045
3"-4" Apollo Disc Set 200 Micron	700101-000046
3"-4" Apollo Disc Set 130 Micron	700101-000047
3"-4" Apollo Disc Set 100 Micron	700101-000048
3"-4" Apollo SK Filter Element 400 Micron	700101-001591
3"-4" Apollo SK Filter Element 200 Micron	700101-000211
3"-4" Apollo SK Filter Element 130 Micron	700101-000218
3"-4" Apollo SK Filter Element 100 Micron	700101-001231
3"-4" Apollo SK Filter Element LCE 130 Micron	700101-000221
3"-4" Apollo SK Filter Element LCE 100 Micron	700101-000222

FILTER ELEMENTS & DISC SET FOR PLASTIC FILTERS 3" & 4" ANGLE

DESCRIPTION	SAP CAT. NO.
3"-4" Angle Filter Element 400 Micron	700101-001208
3"-4" Angle Filter Element 200 Micron	700101-000211
3"-4" Angle Filter Element 130 Micron	700101-001205
3"-4" Angle Filter Element 100 Micron	700101-000212
3"-4" Angle Filter Element 55 Micron	700101-000213
3"-4" Angle Disc Set 400 Micron	700101-000040
3"-4" Angle Disc Set 200 Micron	700101-000041
3"-4" Angle Disc Set 130 Micron	700101-001209
3"-4" Angle Disc Set 100 Micron	700101-001204
3"-4" Angle Disc Set 55 Micron	700101-000042

[Click for: Spin Klin Spare Parts Online Orders, Arkal Amiad](#)