

AMIAD Water Systems

Spare parts price list
Spin Klin Filters Arakl Amiad
US \$ January 2016
www.irrigationglobal.com



Spin Klin Automatic discs Filters Spare Parts.
Online Orders, Arkal Amiad

AMIAD Water Systems

Spare Parts Price List

Spin Klin Arkal Filters

The prices contained in this publication are applicable from 1 January 2016 and are subject to constant review. Amiad Water Systems Ltd. ("Amiad") reserves the right to change product's and services' prices at any time without further notice.

This price list is provided for information purposes only. No person should act on the basis of any information contained in this publication without consulting with Amiad's representative. Amiad will not be held responsible for loss or damage caused by errors, omissions, misprints or misinterpretation of the content thereof. Amiad expressly disclaims all and any liability to any person in respect of anything done or omitted, and the consequences of anything done or omitted, by any such person in reliance on the contents of this publication. The prices contained in this publication are quoted free from any taxes, levies, charges and/or other fees which are or may be imposed by any governmental, regulatory, taxation or other authority.

All the descriptions, drawings, pictures and/or any other information provided in this document is provided solely for guidance and reference. The guidance is given in good faith and is not intended to impose any obligation to Amiad. Please consult Amiad experts or its authorized representatives for further information or the current technical specifications before purchase.

The content of this price list is the sole and property of Amiad, including any intellectual property rights therein, whether registered or not. No part of this publication may be reproduced, recast, reformatted or transmitted in any form by any means, electronic or mechanical including photocopying, recording or any information storage and retrieval system, without the prior written permission from Amiad.

"Amiad", "Arkal" and "Filtomat" are all registered trademarks of Amiad Water Systems Ltd.
© 2016 Amiad All rights reserved.

TABLE OF CONTENTS

2" Spin Klin Polyamide	1
2" Spin Klin Polypropylene	6
2" Spin Klin Compact	7
2" Spin Klin L.C.E.	8
3" Spin Klin Polypropylene	9
3" Spin Klin Polyamide	10
3" Spin Klin L.C.E.	11
4" Spin Klin Galaxy Aluminum	12
4" Spin Klin Galaxy Polypropylene	13
4" Spin Klin Galaxy Stainless Steel	14-15
6" Spin Klin Galaxy Polypropylene	16
3" Spin Klin Apollo Angle	17
4" Spin Klin Apollo Twin	18
4" Spin Klin Spine	19
10" Super Galaxy Module	20
10" Super Galaxy Battery	21
10" Super Galaxy Single Filter Pod	22
AGF	23-24
Battery Components & Valves	25-26
Control System	27

TABLE OF CONTENTS

Control System Parts	28
Parts of Manifolds PP	29
Filter Elements & Disc Set for Plastic Filters 2" SK	30
Filter Elements & Disc Set for Plastic Filters 4" Apollo	31

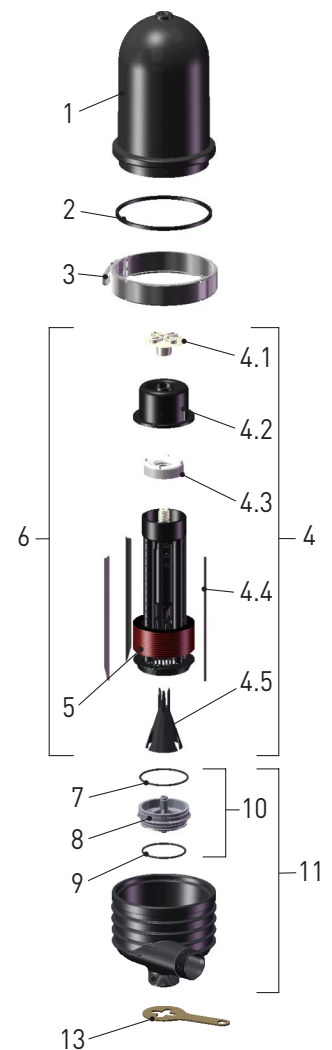
Spin Klin Automatic discs Filters Spare Parts.
Online Orders from www.irrigationglobal.com

2" SPIN KLIN POLYAMIDE

SAP Cat. No. (Threaded Connections): 600000-000037

SAP Cat. No. (Victaulic Connections): 600000-000091

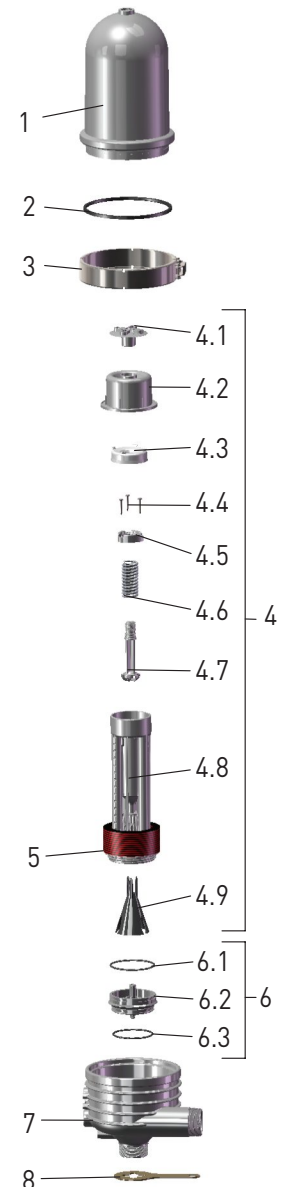
NO.	DESCRIPTION	SAP CAT. NO.	USD \$
1	2"-3" Filter Cover (NEW)	710103-005233	65.24
	2" Cover Clear	710101-000899	65.24
2	Hydraulic Seal for 2"-3" Filter Cover	770104-000248	5.01
3	Arkal Filter Clamp 2"-3" S/St 304	760108-000002	50.24
4	SK Spine	700101-001193	95.00
4.1	Butterfly Nut F/SK-2	710101-000435	2.20
4.2	Tightening Cylinder F/SK-2 Spine	710101-000106	10.08
4.3	Spine Piston SK 2.7 DW	710101-000436	3.34
4.4	Anti-Friction Element F/SK DW	760109-000045	2.84
4.5	Cone Membrane F/SK Spine	770104-000065	23.85
5	2"-3" SK Disc Set 130 Micron DW	700101-001176	84.80
6	SK Spine Complex with Discs 130 Micron	700101-002350 old 700101-000271	215.76
7	O-Ring Seal (P2-234) EPDM	770102-000295	6.63
8	3" SK Spine Adaptor DW	710101-000082	3.14
9	O-Ring Seal P2-237 EPDM	770102-000034	0.61
10	2"-3" SK Complete Adapter	700190-000117	13.36
11	2" SK THR. Body Assembly	700190-000092	76.27
	2" SK Vic. Body Assembly	700190-000093	80.00
13	SK Butterfly Nut Wrench Galv.	760109-000055	10.13
	SK Spine Wrench	760109-000131	76.53
	Socket F/SK Spine	760109-000080	567.37



2" SPIN KLIN POLYPROPYLENE

SAP Cat. No. (Threaded Connections): 600000-000051

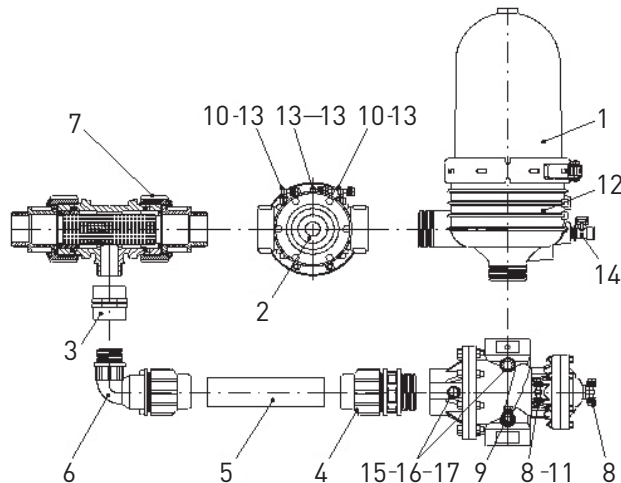
NO.	DESCRIPTION	SAP CAT. NO.	USD \$
1	2"-3" Filter Cover PP DW	710101-000061	32.99
2	2" Cover Seal (EPDM) WRC DW	770104-000015	41.80
3	2"-3" Clamp Polished	760108-000060	73.26
4	SK Spine Model 2.7 PP DW	700101-000272	95.00
4.1	Butterfly Nut	710101-000125	2.20
4.2	Tightening Cylinder	710101-000127	6.94
4.3	S.K. Spine Piston 2.7 DW	710101-000436	3.34
4.4	Fastening Bolts 10* 11/4		Not available for sale
4.5	Spine Clamping Disc		Not available for sale
4.6	Spring		Not available for sale
4.7	Spine Screw		Not available for sale
4.8	Spine Body	710101-000078	Not available for sale
4.9	Cone Membrane EPDM F. DW	770104-000055	4.84
5	Disc Set 130 Micron	700101-001176	84.80
6	2"-3" SK Complete Adaptor	700190-000117	13.36
6.1	O-Ring 2-234 EPDM WRC DW	770102-000032	3.61
6.2	Spine Adapter	710101-000082	3.14
6.3	O-Ring 2-237 EPDM DW	770102-000035	5.68
7	2" SK THR PP Body Assembly	700190-000096	65.38
7	2" SK Vic PP Body Assembly	700190-000097	65.91
8	SK Butterfly Nut Wrench Galv.	760109-000055	10.13



2" SPIN KLIN COMPACT

SAP Cat. No.: 110000-000013

NO.	DESCRIPTION	SAP CAT. NO.	USD \$
1	2"-3" Filter Cover (NEW)	710103-005233	65.24
2	Hyd Plastic Valve IR-2" x 2" Straight Flow	730102-000169	380.70
3	1¼ x 1¼ Coupling Plasson	780101-000335	4.79
4	2"* 40 Male Coupling Plasston	780101-000340	16.20
5	40/10 Plassim 265mm Tube	710103-000196	26.04
6	1¼* 40 Plasston Male L-Bow	780101-000303	21.59
7	Bypass Filter, 2" COMPM	700190-000001	540.19
7.1	Perforated Screen 0.5mm 150*170 F/Compact	710103-001319	29.00
8	T-Connector 8mm x 1/8" Micron x 8mm Black	720501-000135	3.39
9	L-Connector ¼" Micron x 8mm Black	720501-000139	2.72
10	¼" PL Bermad "Finger" Filter	730110-000001	8.18
11	Bushing 1/8" F x 1/8" Micron Blue	720501-000297	1.11
12	2" SK Thr. Body Assembly + Tap	700190-000094	123.61
13	L-Connector 1/8" Micron x 8mm Black	720501-000137	2.72
14	Ball Valve ½" x ¼" Arkal Type	730104-000217	12.58
15	Nipple ¼" Micron x ¼" Micron Black	720501-000148	1.01
16	Gauge Ports Plug w/3mm Hole	710101-000148	0.95
17	Gauge Port Seal	770104-000045	1.06

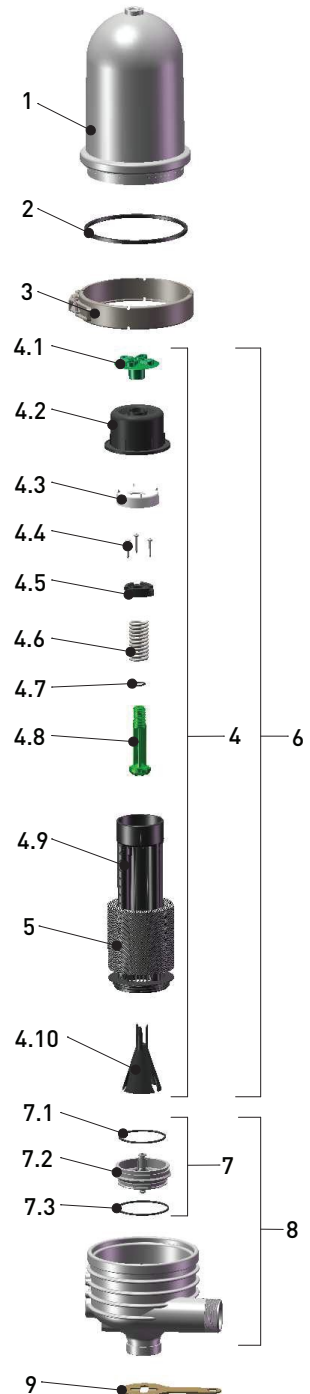


2" SPIN KLIN L.C.E.

SAP Cat. No. (Threaded Connections): 600000-000027

SAP Cat. No. (Victaulic Connections): 600000-000106

NO.	DESCRIPTION	SAP CAT. NO.	USD \$
1	2"-3" Filter Cover RPP Machined DW	710103-004798	38.73
2	Hydraulic Seal for 2"-3" Filter Cover	770104-000248	5.01
3	Arkal Filter Clamp 2"-3" S/St 304 L.C.E	760108-000003	73.86
4	SK Spine Mod 2.7 L.C.E	700101-000249	95.00
4.1	Butterfly Nut F/2"-3" SK Green Nyl	710101-000102	3.28
4.2	Tightening Cylinder F/SK-2 Spine	710101-000106	10.08
4.3	SK Spine Piston 2.7 DW	710101-000436	3.34
4.4	Phillips Pan Tap Scrw # 10 x 1 ¼" Hastelloy		Not available for sale
4.5	SK 2.5 Spine Clamping Disc		Not available for sale
4.6	SK Spring 2.7B S/St 302 86mm Wire4.0mm DW		Not available for sale
4.7	O-Ring 2-115 EPDM 70 Shore DW		Not available for sale
4.8	SK-2 Spine Screw Green		Not available for sale
4.9	2"-3" SK Spine Body Model 2.7	710101-000078	Not available for sale
4.10	Cone Membrane L.C.E	770104-000048	4.51
5	2"-3" SK Disc Set 130 Micron Dw	700101-001176	84.80
6	2" SK Filter Element L.C.E 130M	700101-000132	215.76
7	2"-3" SK Complete Adapter	700190-000117	13.36
7.1	O-Ring 2-234 EPDM 70 Shore Yellow Dot	770102-000295	6.63
7.2	3" SK Spine Adaptor DW	710101-000082	3.14
7.3	O-Ring 2-237 EPDM 70 Shore Yellow Dot	770102-000034	0.61
8	2" SK Vic PP Body Assembly	700190-000097	65.91
	2" SK Body Assembly W/½" Plug (for Compacity Only)	700190-004469	65.91
9	SK Butterfly Nut Wrench Galv.	760109-000055	10.13

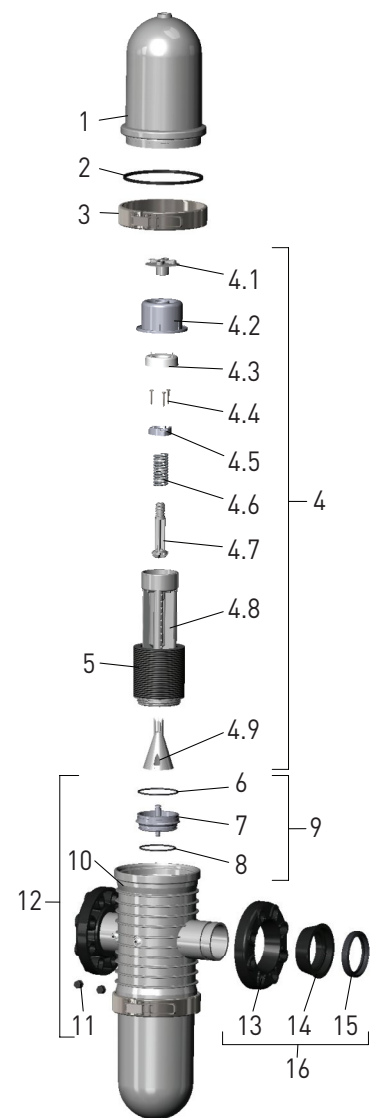


3" SPIN KLIN POLYPROPYLENE

(Portable Water)

SAP Cat. No.: 600001-000075

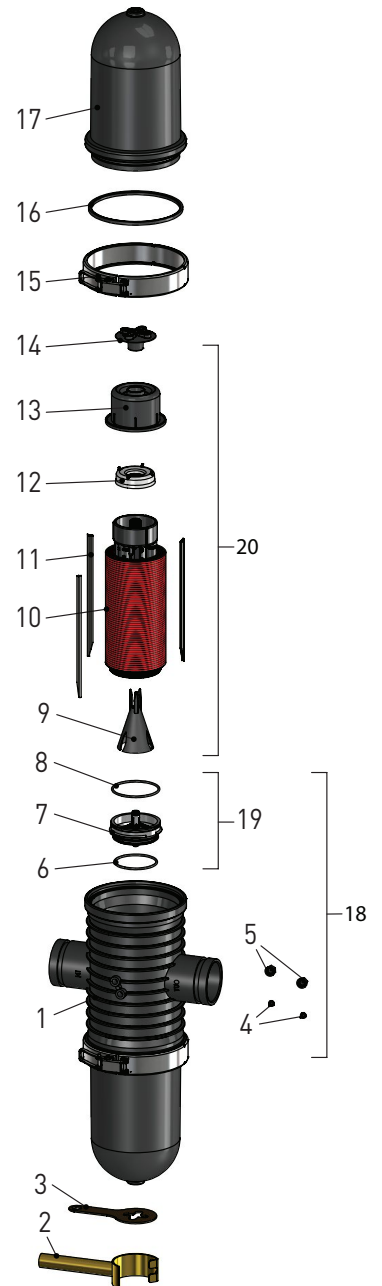
NO.	DESCRIPTION	SAP CAT. NO.	USD \$
1	2"-3" Filter Cover PP DW	710101-000061	32.99
2	2" Cover Seal (EPDM) WRC DW	770104-000015	41.80
3	2"-3" Clamp Polished	760108-000060	73.26
4	SK Spine Model 2.7 PP DW	700101-000272	95.00
4.1	Butterfly Nut for SK-2 PP DW	710101-000125	2.20
4.2	Tightening Cylinder	710101-000127	6.94
4.3	SK Spine Piston	710101-000436	3.34
4.4	Fastening Bolts 10* 11/4		Not available for sale
4.5	Spine Clamping Disc		Not available for sale
4.6	Spring		Not available for sale
4.7	Spine Screw		Not available for sale
4.8	Spine Body	710101-000078	20.10
4.9	Cone Membrane EPDM F. DW	770104-000055	4.84
5	Disc Set 130 Micron	700101-001176	84.80
6	O-Ring 2-234 EPDM WRC DW	770102-000032	3.61
7	Spine Adapter	710101-000082	3.14
8	O-Ring 2-237 EPDM DW	770102-000035	5.68
9	Complete Adapter	700190-000117	13.36
10	3" SK Vic Filter Body PP Mod.2 Machined DW	710103-004766	92.85
11	1/4" Cap	720501-000221	0.72
12	3" SK PP Vic Body Assy + Adaptor DW	700190-000121	104.11
13	3" Loose Ring Flange	710103-004931	46.65
14	Cone Flange	710101-000135	9.80
15	3" Gasket	770104-000034	4.30
16	3" Arkal Universal Flange	700190-000223	60.00



3" SPIN KLIN POLYAMIDE

SAP Cat. No. (Victaulic Connections): 600001-000045

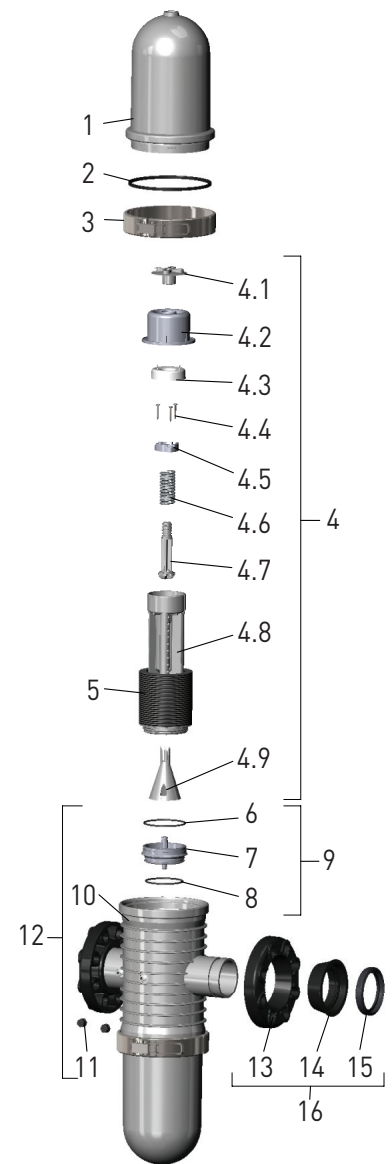
NO.	DESCRIPTION	SAP CAT. NO.	USD \$
1	3" SK Vic. Filter Body	710101-000020	95.56
2	SK Spine Wrench	760109-000131	76.53
	Socket F/SK Spine	760109-000080	567.37
3	SK Butterfly Nut Wrench Galv.	760109-000055	10.13
4	Gauge Port Seal	770104-000045	1.06
5	Gauge Ports Plug w/3mm Hole	710101-000148	0.95
6	O-Ring Seal P2-237 EPDM	770102-000034	0.61
7	3" SK Spine Adaptor DW	710101-000082	3.14
8	O-Ring Seal (P2-234) EPDM	770102-000295	6.63
9	Cone Membrane F/SK Spine	770104-000065	23.85
10	2"-3" SK Disc Set 130 Micron DW	700101-001176	84.80
	2"-3" SK Disc Set 130 Micron Nylon	700101-000021	254.40
11	Anti-Friction Element F/SK DW	760109-000045	2.84
12	Spine Piston SK 2.7 DW	710101-000436	3.34
13	Tightening Cylinder F/SK-2 Spine	710101-000106	10.08
14	Butterfly Nut F/SK2	710101-000435	2.20
15	Arkal Filter Clamp 2"-3" S/St 304	760108-000002	50.24
16	Hydraulic Seal for 2"-3" Filter Cover	770104-000248	5.01
17	2"-3" Filter Cover (NEW)	710103-005233	65.24
	2" Cover Clear	710101-000899	65.24
18	3" SK Vic Body Complx	700190-001157	233.20
19	3" SK Spine Base + O - Rings	700190-000117	13.36
20	SK Spine	700101-001193	95.00
	SK Spine Complex with Discs 130 Micron	700101-002350 old700101-000271	215.76



3" SPIN KLIN L.C.E.

SAP Cat. No.: 600001-000059

NO.	DESCRIPTION	SAP CAT. NO.	USD \$
1	2"-3" Filter Cover PP DW	710101-000061	32.99
2	2" Cover Seal	770104-000248	5.01
3	Arkal Filter Clamp 2"-3" S/St 304 L.C.E	760108-000003	73.86
4	SK Spine PP L.C.E	700101-000249	95.00
4.1	Butterfly Nut F/2"-3" SK PP Green DW	710101-000126	2.20
4.2	Tightening Cylinder	710101-000127	6.94
4.3	SK Spine Piston	710101-000436	3.34
4.4	Fastening Bolts 10* 1¼		Not available for sale
4.5	Spine Clamping Disc		Not available for sale
4.6	SK Spring 2.7B S/St 302 86mm Wire4.0mm DW		Not available for sale
4.7	SK-2 Spine Screw Green DW		Not available for sale
4.8	Spine Body	710101-000078	20.10
4.9	Cone Membrane	770104-000048	4.51
5	Disc Set 130 Micron	700101-001176	84.80
6	O-Ring Seal (P2-234) EPDM	770102-000295	6.63
7	Spine Adapter	710101-000082	3.14
8	O-Ring Seal P2-237 EPDM	770102-000034	0.61
9	2"-3" SK Complete Adapter	700190-000117	13.36
10	3" SK Vic Filter Body PP Mod. 2 Machined DW	710103-004766	92.85
11	¼" Cap	720501-000221	0.72
12	3" SK PP Vic Body Assy + Adaptor DW	700190-000121	104.11
13	3" Loose Ring Flange	710103-004931	46.65
14	Cone Flange	710101-000135	9.80
15	3" Gasket	770104-000034	4.30
16	3" Arkal Universal Flange	700190-000223	60.00

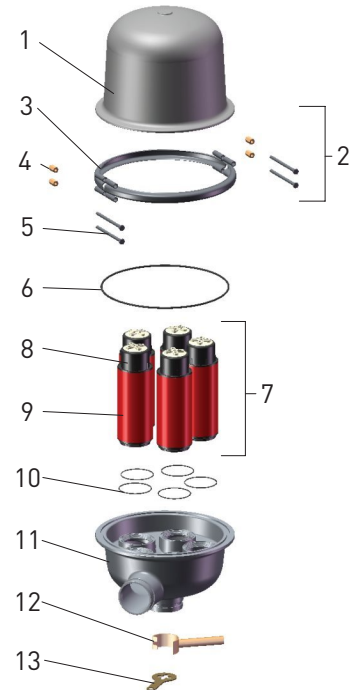


4" SPIN KLIN GALAXY ALUMINIUM

Product is out of production, available only for spares

SAP Cat. No.: 600004-000011

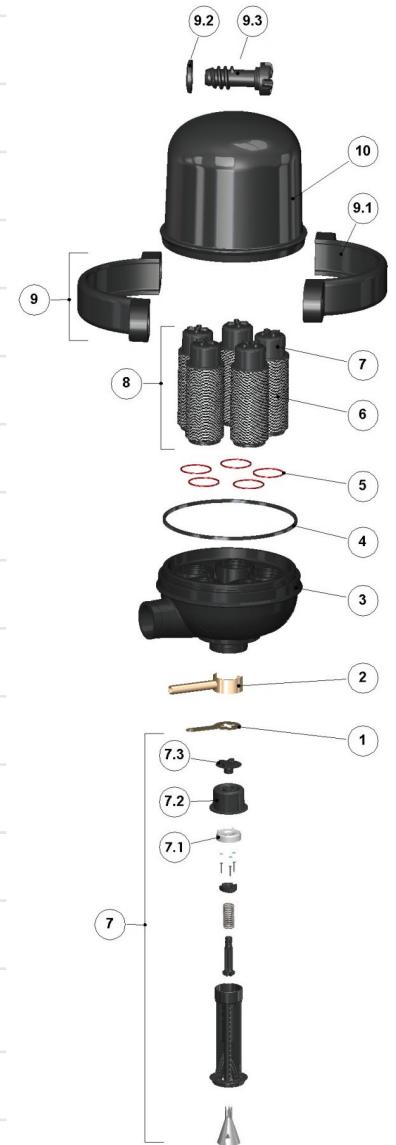
NO.	DESCRIPTION	SAP CAT. NO.	USD \$
1	Filter Cover Aluminium	710103-000388	1,890.48
2	Clamp Complete	700190-000267	702.86
3	Clamp Half S.S.	760108-000025	245.42
4	Nut M10*30 Brass	760102-000041	9.35
5	Bolt M10*160 S.S.	760101-000011	8.24
6	"O" Ring 2* 461 EPDM	770102-000053	32.54
7	SK Spine Complex with Discs 130 Micron	700101-002350 old700101-000271	215.76
8	SK Model 2.7 Spine	700101-001193	95.00
9	2"-3" SK Disc Set 130 Micron DW	700101-001176	84.80
10	"O" Ring 2*243 EPDM	770102-000038	1.28
11	Filter Housing AHT Aluminium	710103-000386	2,762.00
12	Spine Wrench G.S.	760109-000131	76.53
13	Butterfly Nut Wrench G.S.	760109-000055	10.13



4" SPIN KLIN GALAXY POLYPROPYLENE

SAP Cat. No. (Victaulic Connections): 600004-000041

NO.	DESCRIPTION	SAP CAT. NO.	USD \$
1	SK Butterfly Nut Wrench Galv.	760109-000055	10.13
2	SK Spine Wrench	760109-000131	76.53
3	Galaxy PP Filter Body Assembly	700190-000186	648.57
4	Seal for Galaxy Polymer Cover	770104-000049	25.38
5	Flat Injected Seal F/Galaxy PP DW	710101-000136	1.01
6	2" SK Disc Set 130 Micron DW	700101-001176	84.80
6	2"-3" SK Disc Set 130 Micron Nylon	700101-000021	254.40
7	SK Spine Model 2	700101-001193	95.00
7.1	Spine Piston SK 2.7 DW	710101-000436	3.34
7.2	Tightening Cylinder F/SK-2 Spine	710101-000106	10.08
7.3	Butterfly Nut F/SK-2	710101-000435	2.20
8	Spin Klin Spine Complex with Discs 130 Micron	700101-002350 old700101-000271	215.76
9	Assembly Clamp for 4" Galaxy/Sigma	700190-004133	460.00
9.2	Washer F/Clamp 10" Galaxy	710101-000234	2.61
9.3	Screw F/Clamp 10" Galaxy Machined	710103-005294	23.81
9	Galaxy 4" PP Clamp Assembly (Old St/St Clamp)	700190-000203	533.91
9.2	Nut M10*30 Brass	760102-000041	9.35
9.3	Bolt M10*100 Micron	760101-000256	4.73
10	4" Galaxy Poly Filter Cover DW	710103-000371	365.75

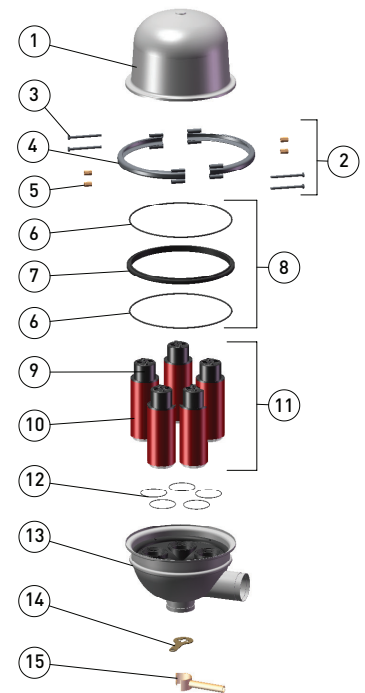


4" SPIN KLIN GALAXY STAINLESS STEEL

Product is out of production, available only for spares

SAP Cat. No. (Victaulic Connections): 600004-000123

NO.	DESCRIPTION	SAP CAT. NO.	USD \$
1	Galaxy 316 SSt Cover Cap Polished	710105-000007	1,266.95
2	Galaxy 444 SSt Clamp + Bushings	700190-000281	474.81
3	Hex Bolt Full THRD M10 x 160 S/St 304	760101-000011	8.24
4	Half Clamp 444 f/4" Galaxy-S/St Polish	760108-000030	201.61
5	Nut M10*30 Brass	760102-000041	9.35
6	O-Ring 2-461 EPDM	770102-000053	32.54
7	Support f/Galaxy Seal	710101-000173	24.85
8	Seal Seating + Seals	700190-000226	98.58
9	SK Spine	700101-001193	95.00
10	2"-3" SK Disc Set 130 Micron DW	700101-001176	84.80
11	Spin Klin Spine Complex With Discs 130 Micron	700101-002350 old 700101-000271	215.76
12	O-Ring 104 x 3 EPDM	770101-000013	3.01
13	Galaxy Body w/Groove	700190-001138	2,817.18
14	SK Butterfly Nut Wrench Galv.	760109-000055	10.13
15	SK Spine Wrench	760109-000131	76.53

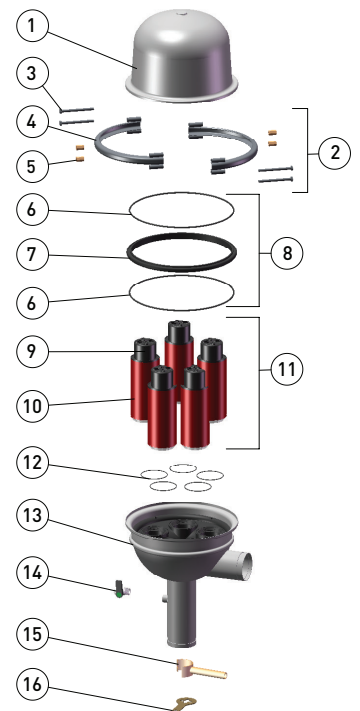


4" SPIN KLIN GALAXY STAINLESS STEEL

Product is out of production, available only for spares

SAP Cat. No. (Victaulic Connections): 600004-000124

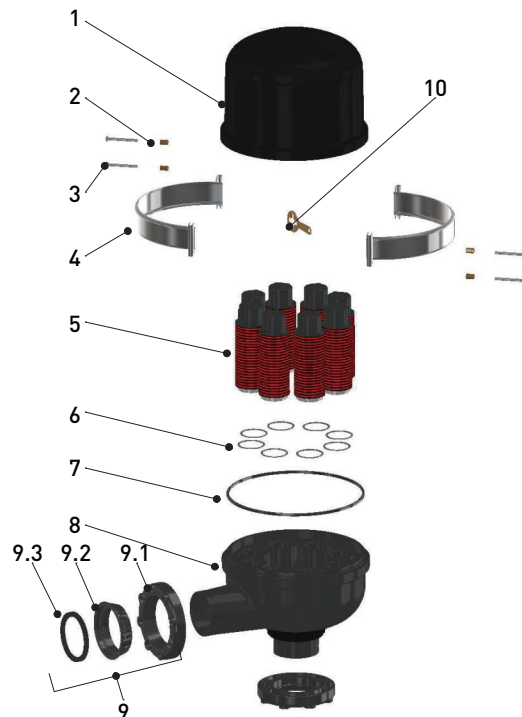
NO.	DESCRIPTION	SAP CAT. NO.	USD \$
1	Galaxy 316 SSt Cover Cap Polished	710105-000007	1,266.95
2	Galaxy 444 SSt Clamp + Bushings	700190-000281	474.81
3	Hex Bolt Full THRD M10 x 160 S/St 304	760101-000011	8.24
4	Half Clamp 444 F/4" Galaxy-S/St Polish	760108-000030	201.61
5	Nut M10*30 Brass	760102-000041	9.35
6	O-Ring 2-461 EPDM	770102-000053	32.54
7	Support F/Galaxy Seal	710101-000173	24.85
8	Seal Seating + Seals	700190-000226	98.58
9	SK Spine	700101-001193	95.00
10	2"-3" SK Disc Set 130 Micron DW	700101-001176	84.80
11	Spin Klin Spine Complex with Discs 130 Micron	700101-002350 old700101-000271	215.76
12	O-Ring 104 x 3 EPDM	770101-000013	3.01
13	Galaxy 316 SSt Body	700190-001140	3,342.60
14	Ball Valve 3/4" M/F (Brass/Ni)	730104-000232	22.93
15	SK Spine Wrench	760109-000131	76.53
16	SK Butterfly Nut Wrench Galv.	760109-000055	10.13



6" SPIN KLIN GALAXY POLYPROPYLENE

SAP Cat. No. (Flange Connections): 600007-000029

NO.	DESCRIPTION	SAP CAT. NO.	USD \$
1	6" Galaxy Filter Cover DW	710103-000372	663.53
2	Nut M10*30 Brass	760102-000041	9.35
3	Bolt M10*100	760101-000256	4.73
4	Half Clamp For 6" PP Galaxy S/St 304 Polish	760108-000012	212.70
5	SK Spine	700101-001193	95.00
5	2"-3" SK Disc Set 130 Micron DW	700101-001176	84.80
6	Flat Seal For Galaxy Polymer (6") DW	770104-000051	2.06
7	6" Hydraulic Seal Epdm for Galaxy	770104-000016	30.94
8	6" Galaxy Body Assembly PP	700190-000130	1,603.85
9	6" Arkal Universal Flange	700190-000238	130.00
9.1	6" Loose Ring Flane	710101-000900	102.75
9.2	6" Cone Ring	710101-000861	18.65
9.3	6" Quick Flange Gasket	770104-000036	8.85
10	SK Butterfly Nut Wrench Galv.	760109-000055	10.13



3" SPIN KLIN APOLLO ANGLE

SAP Cat. No. (3" SK): 600002-000008

NO.	DESCRIPTION	SAP CAT. NO.	USD \$
1	3" Angle SK 4 Vic Body Assy	700190-000127	252.29
2	Ball Valve 1/2" x 1/4" Arkal Type	730104-000217	12.58
3	Gauge Port Seal	770104-000045	1.06
4	Gauge Port Plug w/3mm Hole	710101-000148	0.95
5	3"-4" Hydeaulic Seal	770104-000254	8.63
6	Assembly Bracer PL Apollo	700190-003658	145.00
	Filter Clamp S/ST304 F/Super Leader	760108-000122	145.00
6.1	Apollo Cover Bracket PL.	710103-006001	83.44
6.2	Screw Long F/Apollo Clamp Machined	710103-005754	21.27
7	O-Ring 2-355 Nitrile	770102-000023	1.90
8	3"-4" SK Disc Set 130 Micron Apollo	700101-000047	206.70
9	SK Spine PP Model 4	700101-000267	293.00
10	3"-4" SK Filter Element 130 Micron Apollo	700101-000218	499.70
11	Cover Apollo	710103-004513	222.07



4" SPIN KLIN APOLLO TWIN

SAP Cat. No.: 600005-000005

NO.	DESCRIPTION	SAP CAT. NO.	USD \$
1	4" Body Vic + Welded Seat	710103-000002	397.68
2	Ball Valve 3/4" F/F	730104-000231	22.38
3	O-Ring 2-311 EPDM	770102-000043	0.84
4	Gauge Port Seal	770104-000045	1.06
5	Gauge Port Plug w/3mm Hole	710101-000148	0.95
6	3"-4" Hydraulic Seal	770104-000254	8.63
7	Assembly Bracer PL Apollo	700190-003658	145.00
	Filter Clamp S/ST304 F/Super Leader	760108-000122	145.00
7.1	Apollo Cover Bracket PL.	710103-006001	83.44
7.2	Screw Long F/Apollo Clamp Machined	710103-005754	21.27
8	O-Ring 2-355 Nitrile	770102-000023	1.90
9	3"-4" SK Filter Element 130 Micron Apollo	700101-000218	499.70
10	3"-4" SK Appolo Disc Set 130 Micron Apollo	700101-000047	206.70
11	SK Spine PP Model 4	700101-000267	293.00
12	Cover Apollo	710103-004513	222.07

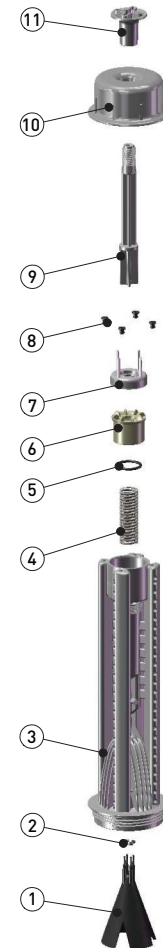


4" SPIN KLIN SPINE MODEL 4

SAP Cat. No.: 700101-000267

SAP Cat. No.: 700101-000265 (LCE)

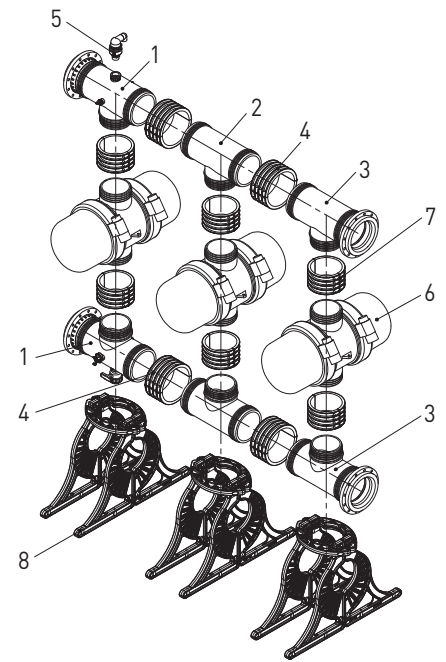
NO.	DESCRIPTION	SAP CAT. NO.	USD \$
1	Cone Membrane Natural 70 Shore 4" SK	770104-000059	18.97
	Cone Membrane Natural 70 Shore LCE 4" SK	770104-000060	18.97
2	S/St Ring	710103-005692	2.07
3	4" SK Spine RPP Grey	710101-000079	81.20
4	Multy SPRNG 4" SK L0 = 220mm D = 4.5mm S/St 302	-	Not for sale
5	O-Ring 2-327 EPDM	-	Not for sale
6	Retaining Nut 4" SK RPP F/Spine SP Disc	-	Not for sale
7	4" SK Spine Piston PE Natural	710101-000179	2.34
8	Plug Seal Natural 65 Shore 4" Spin Klin	-	Not for sale
9	4" SK Screw RPP Grey	-	Not for sale
10	4" SK Spine Tightening Cylinder RPP Grey	710101-000116	12.55
11	4" SK Spine Tightening NUT RPP Black	710101-000112	5.87
	4" SK Spine Tightening NUT RPP Green	710101-000115	5.87



10" SUPER GALAXY MODULE

SAP Cat. No.: 115002-000039

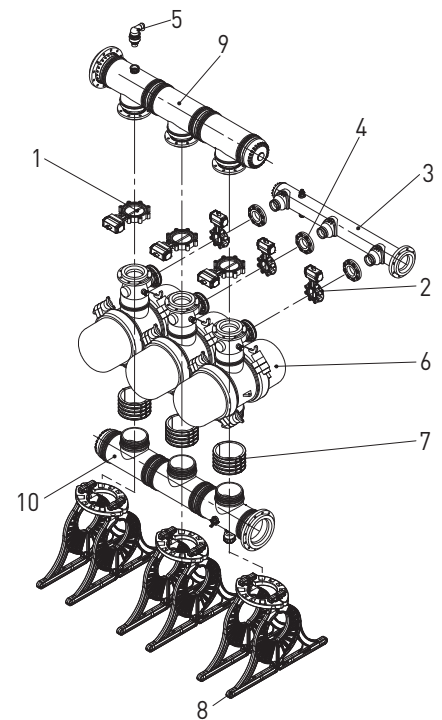
NO.	DESCRIPTION	SAP CAT. NO.	USD \$
1	12" Tee for Inlet and Outlet Manifolds with Couplings	750101-008440	1,855.59
2	Manifold Pp Tee 315*10" DW	710101-001070	460.69
3	In/Out 2 Manifold 315 1*10" SK Super Galaxy 12"Din	750101-008441	1,695.25
4	12" Plastic Coupling Assembly	700190-003657	589.23
4.1	12" Clamp Hydraulic Seal	770104-000287	59.60
4.2	Hex Bolt Full THR M12 x 150 Din933 S/St 316	760101-000926	10.07
4.3	Hex Nut M12 x 30 Brass Special	760102-000034	8.91
4.4	Flat Washer M12 x 2.5 Din 125 S/St 316	760103-000125	0.45
5	2" Barak Air Rel. Valve	730108-000040	264.72
6	10" Super Galaxy Filter Please contact Amiad for specific configuration.	600011-XXXXXX	On request
7	10" Plastic Coupling Assembly	700190-003596	462.23
7.1	10" Clamp Hydraulic Seal	770104-000043	37.12
7.2	Hex Bolt Full THR M12 x 150 Din 933 S/St 316	760101-000926	10.07
7.3	Hex Nut M12 x 30 Brass Special	760102-000034	8.91
7.4	Flat Washer M12 x 2.5 Din 125 S/St 316	760103-000125	0.45
8	Short Leg 315mm Assembly	700190-003835	1,819.11



10" SUPER GALAXY BATTERY

SAP Cat. No.: 115000-000025

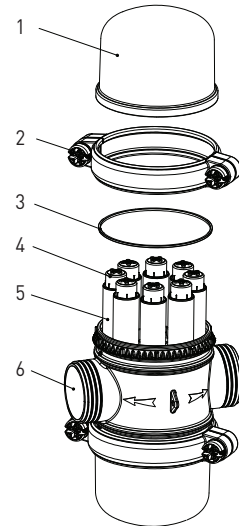
NO.	DESCRIPTION	SAP CAT. NO.	USD \$
1	Bray Valve S31-119-ND-8" - ASA/S92-1190	730105-000124	2,869.66
2	Bray Valve S31-119-ND-4" - ASA/S92-0830	730105-000061	1,902.49
2.1	Separation Ring F/4" Flange Pp	710101-000841	5.28
3	Drain Manifold 200 3*4" Vic F/10" Galaxy 8" Din	750101-008285	2,111.12
4	4" AKF Universal	700190-000227	80.00
5	2" Barak Air Rel. Valve	730108-000040	264.72
6	10" Super Galaxy Filter Please contact Amiad for specific configuration.	600011-XXXXXX	On request
7	10" Plastic Coupling Assembly	700190-003596	462.23
7.1	10" Clamp Hydraulic Seal	770104-000043	37.12
7.2	Hex Bolt Full THR M12 x 150 Din 933 S/St 316	760101-000926	10.07
7.3	Hex Nut M12 x 30 Brass Special	760102-000034	8.91
7.4	Flat Washer M12 x 2.5 Din125 S/St 316	760103-000125	0.45
8	Short Leg 315mm Assembly	700190-003835	1,819.11
9	Inlet Manifold 315 Injection 3*10" SK S.Galaxy 12" Din	750101-009779	8,840.88
10	Outlet Manifold 315 Injection 3*10" Sk S.Galaxy 12" Din	750101-009780	4,068.43



10" SUPER GALAXY SINGLE FILTER POD

SAP Cat. No.: 600011-000040

NO.	DESCRIPTION	SAP CAT. NO.	USD \$
1	6" Galaxy Filter Cover	710103-000372	663.53
2	Clamp 10" Galaxy	700190-000251	598.57
	Screw F/Clamp 10" Galaxy	710103-005294	23.81
3	6" Hydraulic Seal EPDM for Galaxy	770104-000016	30.94
4	2"-3" Spine Body Please contact Amiad for specific configuration.	700101-XXXXXX	On request
4	Flat Seal for Galaxy Polymer (6") DW	770104-000051	2.06
5	2" SK Disc Set Nylon For all available filtration degrees. See pages 51-56.	700101-XXXXXX	254.40
5	2" SK Disc Set PP For all available filtration degrees. See pages 51-56.	700101-XXXXXX	84.80
6	Assembly 10" Galaxy Body + 2* Outlet Clamp	700190-004175	2,306.95

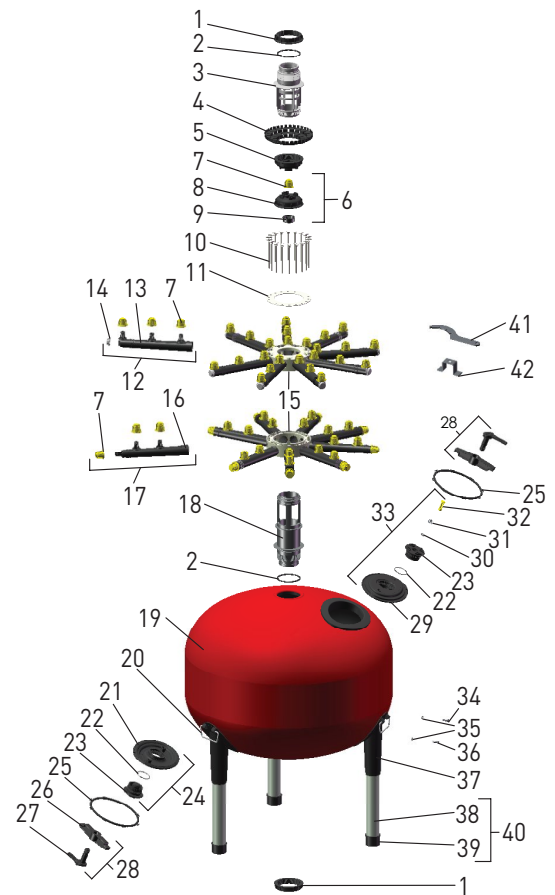


AGF

SAP Cat. No.: 210000-000010

NO.	DESCRIPTION	SAP CAT. NO.	USD \$
1	Locking Nut F/AGF	710103-000376	23.24
2	O-Ring 125 x 8 EPDM 70 Shore Yellow Dot	770101-000021	7.52
3	Inlet, AGF	710101-000393	8.35
4	Distributor Plate, AGF	710103-000377	19.57
5	Upper Sealing Nut AGF	710101-000391	19.10
6	Agf Sealing Nut+Mushroom + Holder	700190-000159	36.93
7	Mushroom F/AGF	710101-000833	0.64
8	Lower Sealing Nut for AGF	710103-000016	23.78
9	AGF Mushroom Holder	710103-000018	10.75
10	Pin, AGF	710101-000400	1.01
11	Pin Washer Holder Flic	760109-000110	3.56
12	AGF Upper Diffuser Subassembly	700190-000156	17.10
13	AGF Upper Diffuser Subassembly		Not available for sale
14	Endcup, AGF		Not available for sale
15	Drum, AGF		Not available for sale
17	AGF Lower Diffuser Subassembly	700190-000157	16.29
18	Outlet, AGF	710101-000394	54.62
19	AGF Filter Tank	720601-000044	7,337.00
20	Handle SA For 48" AGF PL.	760109-000108	17.42
21	Lower Cover, AGF	710103-000383	63.58
22	O-Ring 76 x 4 EPDM	770101-000019	1.67
23	Lower Plug, AGF	710101-000413	12.49

(Continued)



AGF (Continued)

SAP Cat. No.: 210000-000010

NO.	DESCRIPTION	SAP CAT. NO.	USD \$
24	AGF Lower Cover Assembly	700190-000153	90.82
25	AGF Cover Seal	770104-000020	28.09
26	Bridge, AGF	710103-000380	20.56
27	AGF Tightening Screw	710101-000404	11.21
28	AGF Bridge Cover Subassembly	700190-000158	29.80
29	Upper Cover, AGF	710103-000382	63.04
30	O-Ring 2-310 EPDM	770102-000042	1.17
31	Spring for AGF Vacuum Valve S/St 302	760107-000007	2.79
32	Vacuum Release, AGF	710101-000408	0.93
33	AGF Upper Cover Subassembly	700190-000149	84.81
34	Hex Bolt Full TH 3/8" x 30 S/St 304	760101-000212	1.23
35	Flat Washer 3/8" B18.22.1 S/St 304	760103-000055	0.22
36	Hex Bolt Full TH 3/8" x 40 S/St 304	760101-000218	0.80
37	Leg Housing, AGF	710103-000381	97.56
38	Leg, AGF 76.2*515	760109-000038	52.81
39	Base-Cap F.AGF	710101-000410	7.81
40	AGF Leg Subassembly	700190-000161	73.80
41	Lower Cover Wrench AGF	760109-000052	27.33
42	Locking Nut Wrench AGF	760109-000050	63.84

BATTERY COMPONENTS & VALVES

NO.	DESCRIPTION	SAP CAT. NO.	USD \$
1	2" Vic Connector Red	780102-000020	20.15
2	2" Vic Connector Blue	780102-000058	20.15
3	2" Vic Connector Green	780102-000023	20.15
4	2" Vic Connector Pl.W/S/St 316 Bolts	780102-000068	81.59
5	3" Vic Connector Red	780102-000025	25.12
6	3" Vic Connector Blue	780102-000057	25.12
7	3" Vic Connector Green	780102-000028	25.12
8	3" Vic Connector Pl.W/S/St 316 Bolts	780102-000031	103.78
9	4" Vic Connector Red	780102-000032	34.03
10	4" Vic Connector Blue	780102-000055	34.03
11	4" Vic Connector Green	780102-000033	34.03
12	4" Vic Connector Pl.W/S/St 316 Bolts	780102-000035	173.30
13	4" Vic Connector Rilsen Bl.W/S/St 316 Bolts	780102-000072	143.47
14	6" Vic Connector Red	780102-000036	66.61
15	6" Vic Connector Blue	780102-000038	66.61
16	6" Vic Connector Green	780102-000037	66.61
17	3" BSTD Quick Flange	740101-000156	49.03
18	3" Din Quick Flange	740101-000155	46.64
19	3" ASA Quick Flange	740101-000154	68.95
20	4" ASA Quick Flange	740101-000159	156.27
21	4" BSTD/Din Quick Flange	740101-000161	66.45
22	6" ASA/BSS Quick Flange	740101-000164	197.84
23	¾" Segev Air Rel.Valve	730108-000006	154.54

BATTERY COMPONENTS & VALVES (continued)

NO.	DESCRIPTION	SAP CAT. NO.	USD \$
24	1" Barak Air Rel.Valve 10 AT BSPT ARI	730108-000025	184.81
25	1" Barak Air Rel.Valve NPT	730108-000026	149.53
26	2" Barak Air Rel.Valve	730108-000040	264.72
27	Bermad Booster Valve	730113-000293	213.03
28	³ / ₈ " Dorot Plas. Accelerator	730110-000009	122.48
29	Pressure Check Needle	720301-000002	13.75
30	2" Vict.connector Gasket	770104-000027	4.57
31	3" Vict.Connector Gasket	770104-000028	5.07
32	4" Vict. Connector Gasket	770104-000029	10.29
33	6" Vict.Connector Gasket	770104-000030	15.14
34	1" Vacuum Breaker (Arkal)	700190-003406	12.89

CONTROL SYSTEM

NO.	DESCRIPTION	SAP CAT. NO.	USD \$
1	Murphy Diff.Presst.Gaugem	700103-000002	1,240.51
2	Pres.Difer.United Elec.	700103-000004	474.62
3	Pres.Difer.United Elec. 6mm J.G.	700103-001387	625.78
4	Pres.Difer.United Elec.	700103-000005	532.17
5	Electr.P.D.Gauge Bacara	700103-000013	322.66
6	Electr.P.D.Gauge Bacara	700103-000014	425.53
7	Electr.P.D.Gauge Bacara 8mm J.G.	700103-000015	536.85
8	Controller AMC - DC -1	700103-001171	1,431.00
9	Controller AMC - DC -2	700103-001172	1,643.00
10	Controller AMC - DC -3	700103-001173	1,855.00
11	Controller AMC - DC -4	700103-001174	2,067.00
12	Controller AMC - DC -5	700103-001175	2,279.00
13	Controller AMC - DC -6	700103-001176	2,491.00
14	Controller AMC - AC -1 220V	700103-001195	1,431.00
15	Controller AMC - AC -2	700103-001204	1,643.00
16	Controller AMC - AC -3	700103-001213	1,855.00
17	Controller AMC - AC -4	700103-001221	2,067.00
18	Controller AMC - AC -5	700103-001238	2,279.00
19	Controller AMC - AC -6	700103-001244	2,491.00

CONTROL SYSTEM PARTS

Products are out of production, available only for spares

NO.	DESCRIPTION	SAP CAT. NO.	USD \$
1	12V Alkaline GP Battery	720207-000002	104.62
2	9V Alkaline Battery	720207-000001	15.03
3	Basic Filtron FT1 Out 3W DC card	720101-000657	306.20
4	Filt PCB 2-AC Plas.Light+Panel	720101-000187	311.59
5	Filt PCB 4-AC Plas.Light+Panel	720101-000188	509.87
6	Filt PCB 6-AC Plas.Light+Panel	720101-000189	348.87
7	Filter 3.6/DC PCB+Panel PL	720101-000126	1,461.61
8	Gemsol 24V/50HZ 360	720103-000088	121.82
9	Gemsol 24V 60HZ 360	720103-000089	131.28
10	Bacsol 24V AC	720103-000346	150.52
11	Bacsol 12VDC 3-Wire Latch	720103-000345	150.52
12	3-Wire Oper.23 OM DC	720103-000021	33.11
13	2-Wire Oper.12V DC	720103-000028	33.11
14	2-Wire Oper.24V AC	720103-000027	33.11
15	Bacsol 12VDC 2-Wire Latch	720103-000001	140.63
16	Gemsol 24V/50HZ 360+Plug	700103-000011	240.61
17	Galit-2000 Hydr. Relay	720103-000014	103.29
18	Plate for Galit	760109-000049	8.58
19	Elect Control DC-6V 6-Out 1-In AMC-6	720101-000477	475.00
20	Elect Contrl 220VAC 6-Out 1-in AMC-6	720101-000475	475.00
21	Elect Contrl 110VAC 6-Out 1-In AMC-6	720101-000476	501.00
22	1.5 Volt Battery	720207-000013	13.13

PARTS OF MANIFOLDS PP

NO.	DESCRIPTION	SAP CAT. NO.	USD \$
1	Plastic Leg 110mm F/2" SK	710101-000439	11.09
2	Leg Plast. 330mm for 2" SK	710101-000278	15.83
3	3" Arkal Universal Flange	700190-000223	60.00
4	4" Arkal Universal Flange	700190-000227	80.00
5	6" Arkal Universal Flange	700190-000238	130.00
6	Pl. Support Leg for 160 Man.	700190-000231	96.03
7	3" PP Vic. Cap	710101-000165	5.34
8	Victaulic Cap 4" PP	710101-000433	6.54
9	6" Vic.PL.Cap	710101-000200	24.57
10	2" Victaulic-BSP Thread Connector	700190-003407	18.07

Spin Klin Replacements

FILTER ELEMENTS & DISC SET FOR PLASTIC FILTERS 2" SK

DESCRIPTION	SAP CAT. NO.	USD \$
2" SK Disc Set 200 Micron Nylon	700101-000020	254.40
2" SK Disc Set 130 Micron Nylon	700101-000021	254.40
2" SK Disc Set 100 Micron Nylon	700101-000022	254.40
2" SK Disc Set 70 Micron Nylon	700101-000019	254.40
2" SK Disc Set 55 Micron Nylon	700101-001190	254.40
2" SK Disc Set 40 Micron Nylon	700101-001329	254.40
2" SK Disc Set 20 Micron Nylon	700101-000023	254.40
2" SK Filter Element Nylon 100 Micron	700101-000161	332.84
2" SK Disc Set 400 Micron DW	700101-001187	84.80
2" SK Disc Set 200 Micron DW	700101-001188	84.80
2" SK Disc Set 130 Micron DW	700101-001176	84.80
2" SK Disc Set 100 Micron DW	700101-001177	84.80
2" SK Disc Set 70 Micron DW	700101-001184	84.80
2" SK Disc Set 55 Micron DW	700101-001183	84.80
2" SK Disc Set 40 Micron DW	700101-001189	84.80
2" SK Disc Set 20 Micron DW	700101-001182	84.80
2" SK Spine Complex with Discs 130 Micron	700101-002350 old700101-000271	215.76

SK filters Spare Parts Online Orders, Arkal Amiad

FILTER ELEMENTS & DISC SET FOR PLASTIC FILTERS 4" APOLLO

DESCRIPTION	SAP CAT. NO.	USD \$
3"-4" Apollo Disc Set 400 Micron	700101-000045	206.70
3"-4" Apollo Disc Set 200 Micron	700101-000046	206.70
3"-4" Apollo Disc Set 130 Micron	700101-000047	206.70
3"-4" Apollo Disc Set 100 Micron	700101-000048	206.70
3"-4" Apollo SK Filter Element 400 Micron	700101-001591	499.70
3"-4" Apollo SK Filter Element 200 Micron	700101-000211	499.70
3"-4" Apollo SK Filter Element 130 Micron	700101-000218	499.70
3"-4" Apollo SK Filter Element 100 Micron	700101-001231	499.70
3"-4" Apollo SK Filter Element LCE 130 Micron	700101-000221	499.70
3"-4" Apollo SK Filter Element LCE 100 Micron	700101-000222	499.70

FILTER ELEMENTS & DISC SET FOR PLASTIC FILTERS 3" & 4" ANGLE

DESCRIPTION	SAP CAT. NO.	USD \$
3"-4" Angle Filter Element 400 Micron	700101-001208	332.84
3"-4" Angle Filter Element 200 Micron	700101-000211	332.84
3"-4" Angle Filter Element 130 Micron	700101-001205	332.84
3"-4" Angle Filter Element 100 Micron	700101-000212	332.84
3"-4" Angle Filter Element 55 Micron	700101-000213	332.84
3"-4" Angle Disc Set 400 Micron	700101-000040	187.62
3"-4" Angle Disc Set 200 Micron	700101-000041	187.62
3"-4" Angle Disc Set 130 Micron	700101-001209	187.62
3"-4" Angle Disc Set 100 Micron	700101-001204	187.62
3"-4" Angle Disc Set 55 Micron	700101-000042	187.62

[Click for: Spin Klin Spare Parts Online Orders, Arkal Amiad](#)