

Pressure Reducing Valve

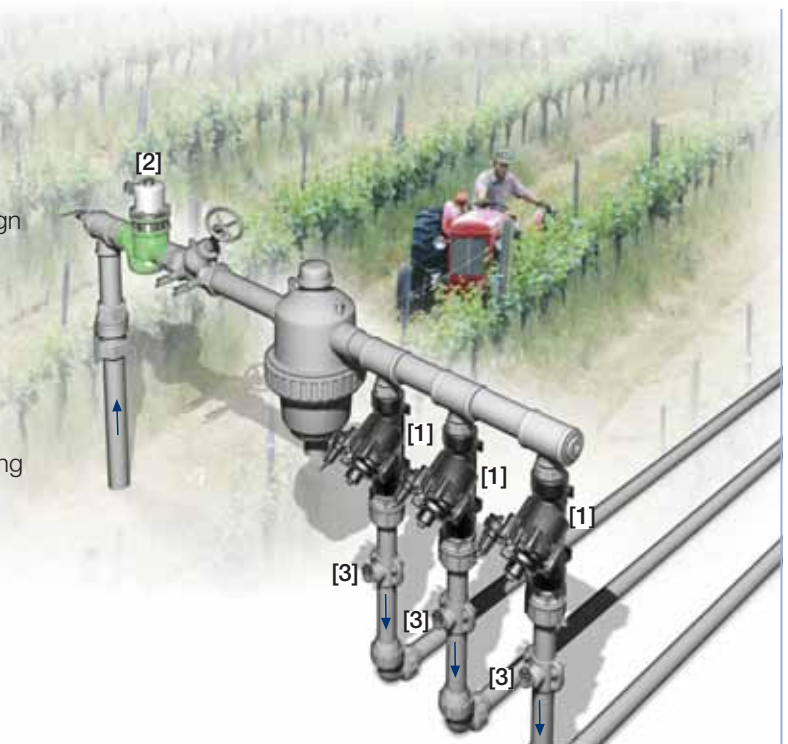
IR-120-XZ

The BERMAD Pressure Reducing Valve is a hydraulically operated, diaphragm actuated control valve that reduces higher upstream pressure to lower constant downstream pressure and opens fully upon line pressure drop.



Features and Benefits

- Line pressure driven, Hydraulically Controlled
 - Protects downstream systems
 - Opens fully upon line pressure drop
- Engineered Plastic Valve with Industrial Grade Design
 - Highly durable, chemical and cavitation resistant
 - No internal bolts and nuts
- hYflow 'Y' Valve Body with "Look Through" Design
 - Ultra-high flow capacity – Low pressure loss
- Unitized Flexible Super Travel (FST) Diaphragm and Guided Plug
 - Accurate and stable regulation with smooth closing
 - Requires low opening and actuation pressure
 - Prevents diaphragm erosion and distortion
- Simple In-Line Inspection and Service

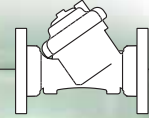


Typical Applications

- Pressure Reducing Stations
- Systems Subject to Varying Supply Pressure
- Energy Saving Irrigation Systems

- [1] BERMAD Model IR-120-XZ establishes reduced pressure zone, protecting laterals and distribution line.
- [2] BERMAD Automatic Metering Valve Model IR-900-DO
- [3] BERMAD Vacuum Breaker Model 1/2"-ARV

BERMAD Irrigation



IR-I20-XZ

For full technical details, refer to Engineering Section.

100 Series hYflow

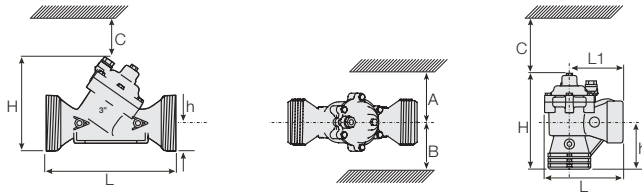
Pressure Reducing Standard

Technical Specifications

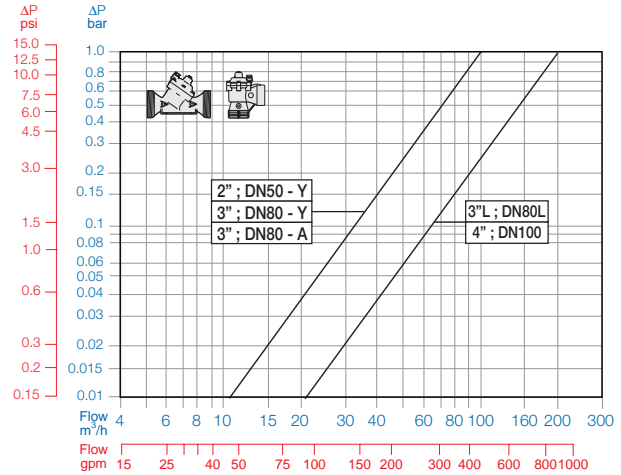
Dimensions and Weights

Pattern	DN Inch	Angle 3-T	Y (Oblique)			
			50-T 2-T	65-T* 2 1/2-T*	80-T 3-T	80L-T 3L-T
L (L1)	mm	187 (130)	230	230	298	300
	inch	7.4 (5.1)	9.1	9.1	11.7	11.8
H (Hf)	mm	235 (245)	170 (185)	170 (185)	180 (195)	240
	inch	9.3 (9.6)	6.7 (7.3)	6.7 (7.3)	7.1 (7.7)	9.5
C	mm	53	140	140	140	180
	inch	2.1	6	6	6	8
h	mm	117	40	40	50	60
	inch	4.6	1.6	1.6	2.0	2.4
A; B	mm	320	135	135	190	190
	inch	12.6	6	6	8	8
Weight	Kg	1.6	1.35	1.4	1.6	3.0
	lb.	3.5	3.0	3.1	3.5	6.6

* 2 1/2"; DN65 Male Thread BSP-F, for PVC glue Unions.



Flow Chart



Technical Data

Valve Configurations & Size:

Oblique: 2, 2 1/2, 3, 3L, 4 & 6"; DN50, 65, 80, 80L, 100 & 150

Angle: 3"; DN80

End Connections:

Threaded: 2, 2 1/2, 3 & 3"L; DN50, 65, 80 & 80L

Flanged: 3, 3L, 4, & 6"; DN80, 80L, 100 & 150

Grooved: 6"; DN150

Pressure Rating: 10 bar; 145 psi

Operating Pressure Range: 0.35-10 bar; 5-145 psi

Setting Range: 1-7 bar; 15-100 psi

Setting ranges vary according to specific pilot spring. Please consult factory.

Materials:

Body, Cover and Plug: Glass-Filled Nylon

Diaphragm: NR, Nylon Fabric Reinforced

Seals: NR

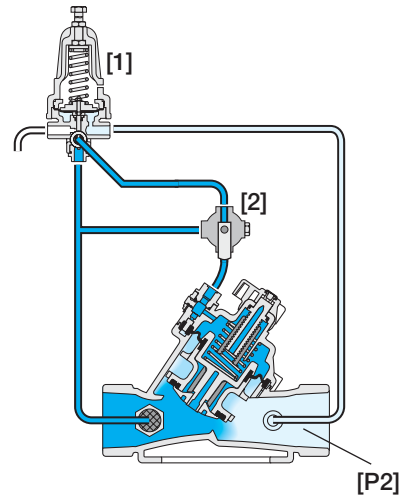
Spring: Stainless Steel

Cover Bolts: Stainless Steel

Control Accessories: Plastic

Tubing and Fittings: Plastic

Operation



The Pressure Reducing Pilot [1] commands the main Valve to throttle closed should Downstream Pressure [P2] rise above pilot setting, and to open fully when it drops below pilot setting. The Manual Selector [2] enables local manual closing.

How to Order

Please specify the requested valve in the following sequence: (for more options, refer to Ordering Guide.)

Sector	Size	Primary Feature	Additional Feature	Pattern	Construction Materials	End Connections	Control Type	Voltage -Main Valve Position	Additional Attributes
IR	2-4" <small>Other sizes available on request.</small>	120	00	Y	P	BP	3W	-	XZ
	Oblique Angle (3"; DN 80 Only)	Y A	BSP BSP-F (Male Threads 2 1/2"; DN65 only) NPT Plastic Flanges* Metal Flanges* ("Corona") <small>Comply to: ISO PN10, ANSI #125/150, Jis K-10, BS-D</small>	BP BS NP FF CC	3-Way Control Manual Selector Flow Stem Flow Stem with Position Indicator <small>Other attributes available on request</small>	X Z M MP			



Bermad Hydraulic pressure reducer, Order here from: irrigationglobal.com