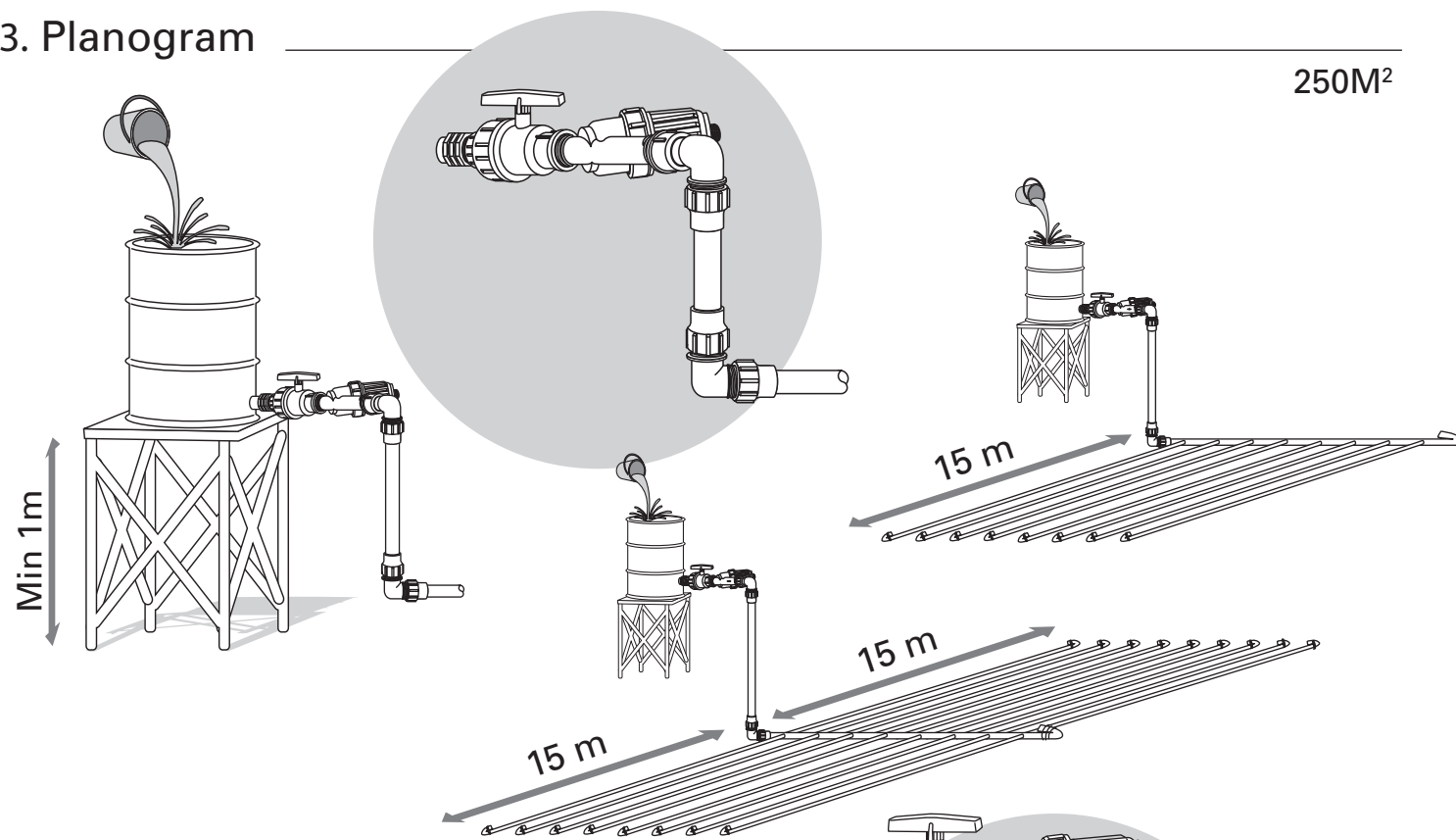
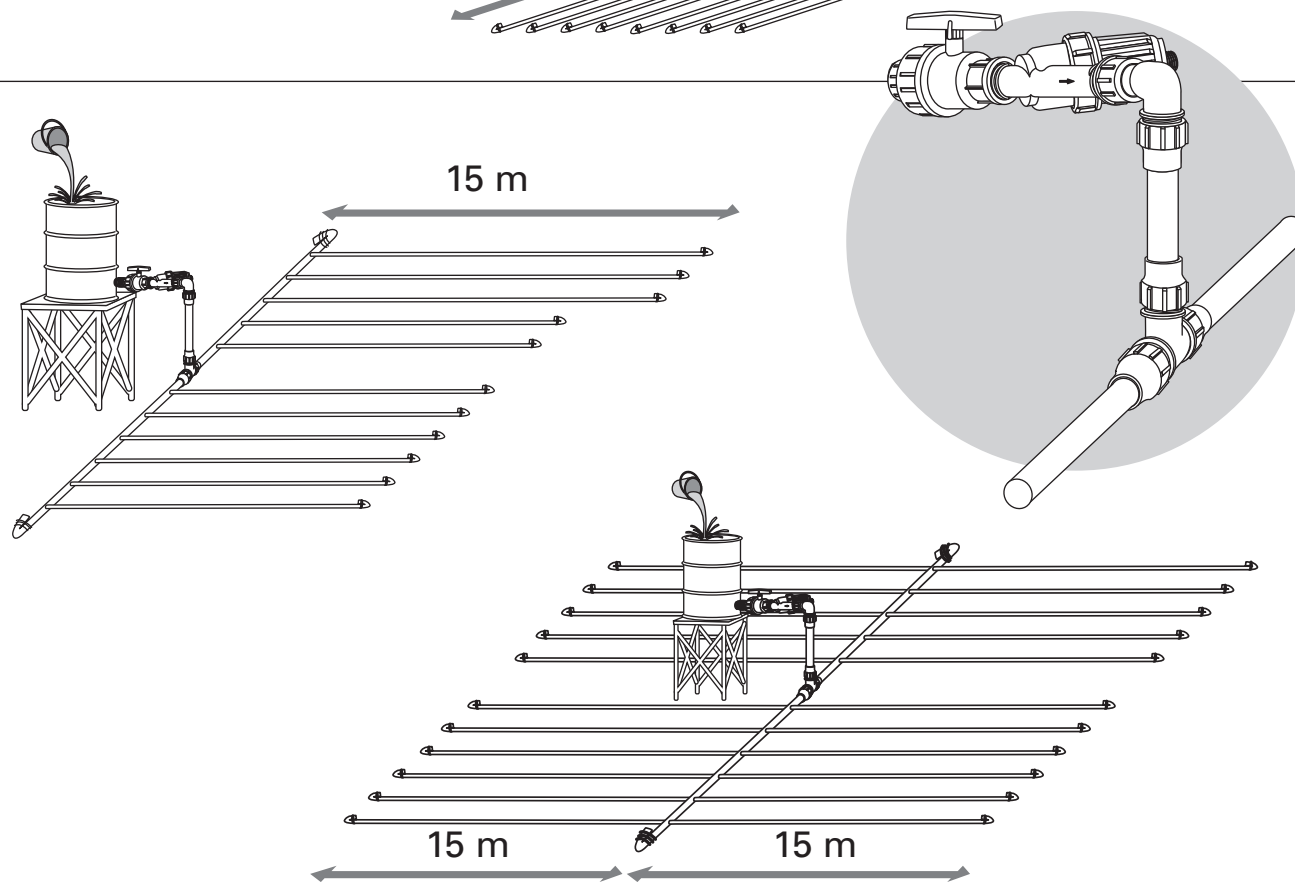


3. Planogram

250M²

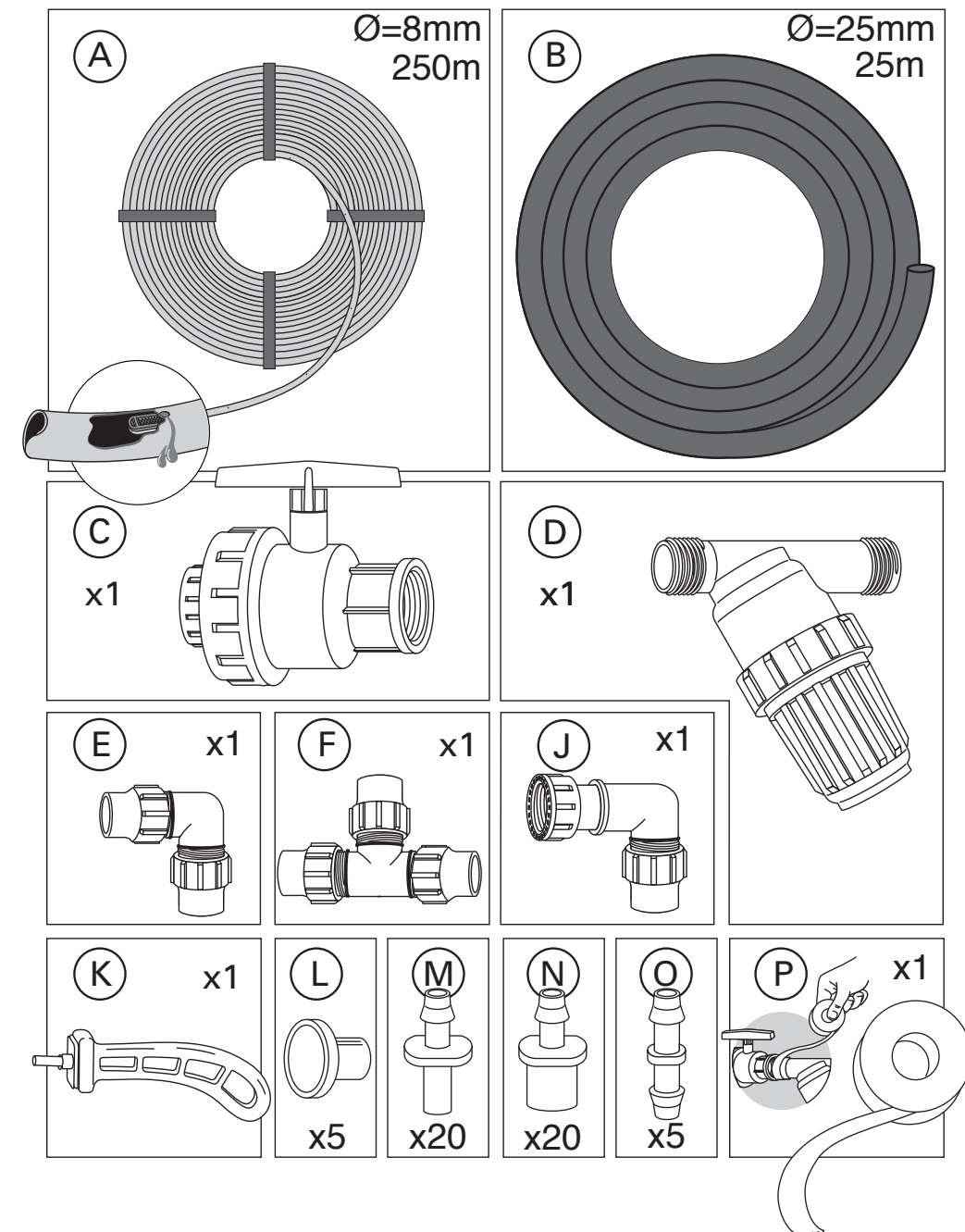


250M²

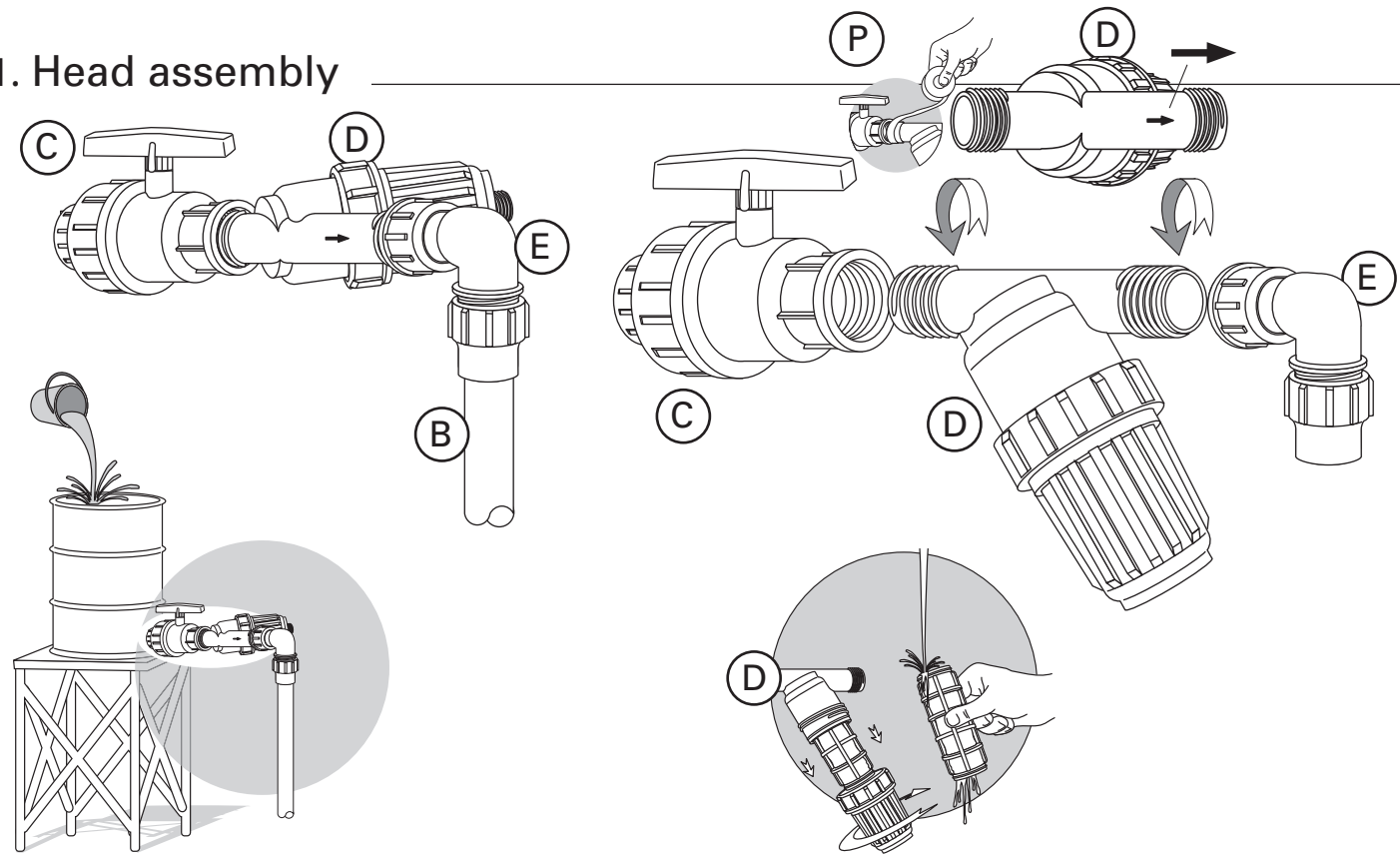


FDS 250M²

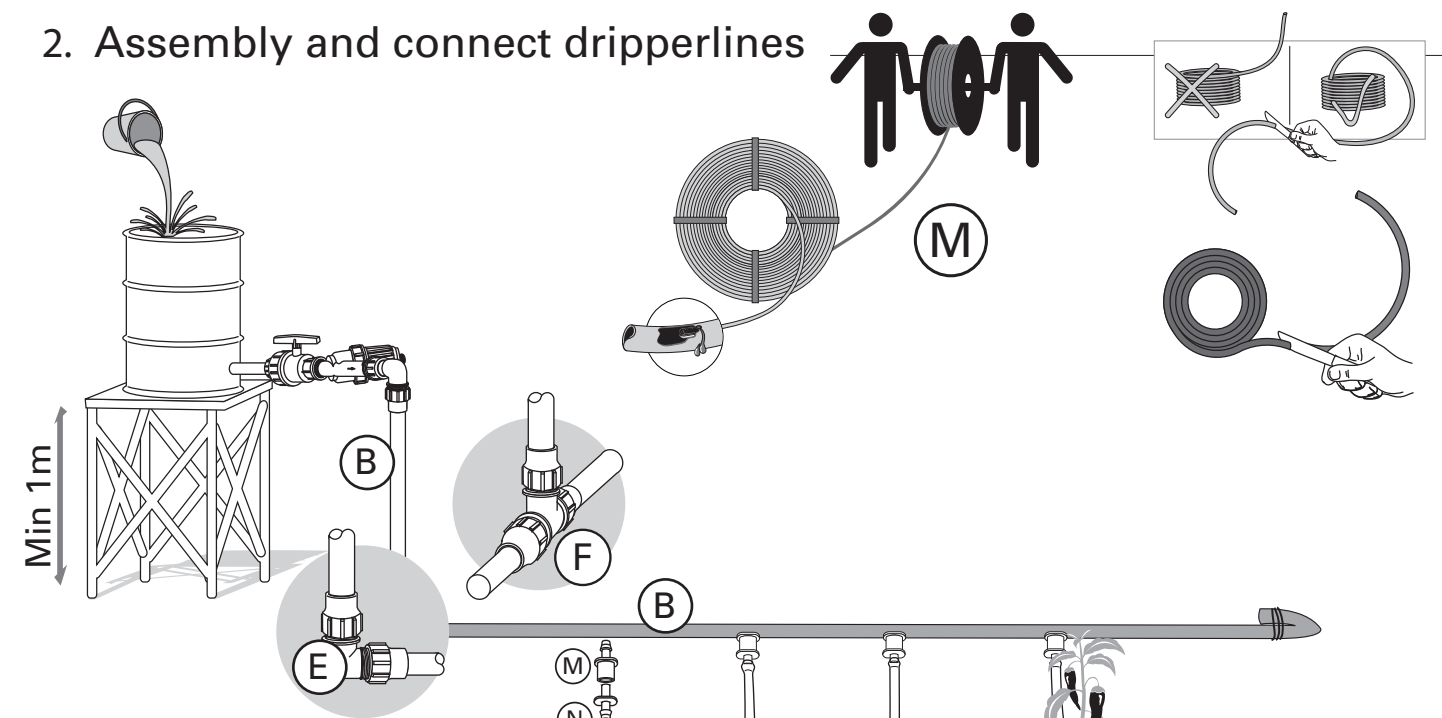
1. Components



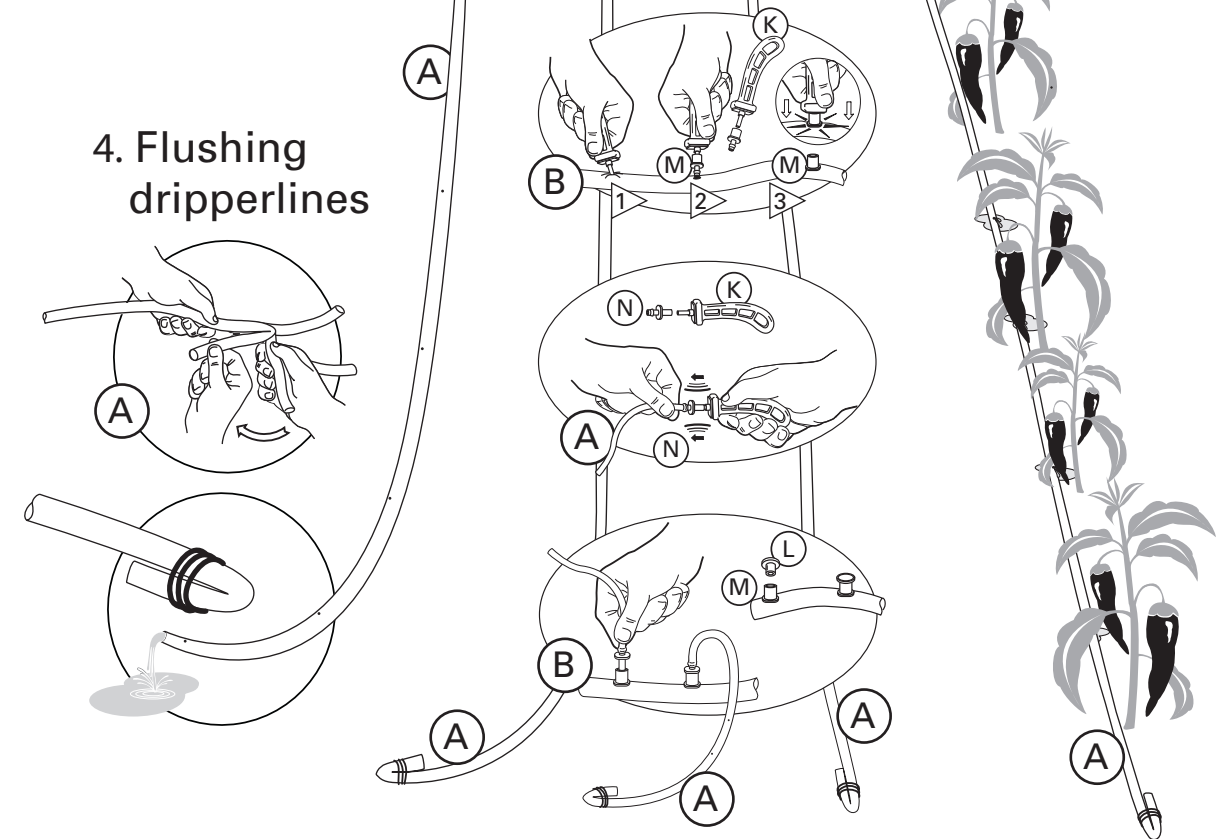
1. Head assembly



2. Assembly and connect dripperlines



4. Flushing dripperlines



5. How to repair a dripperline

